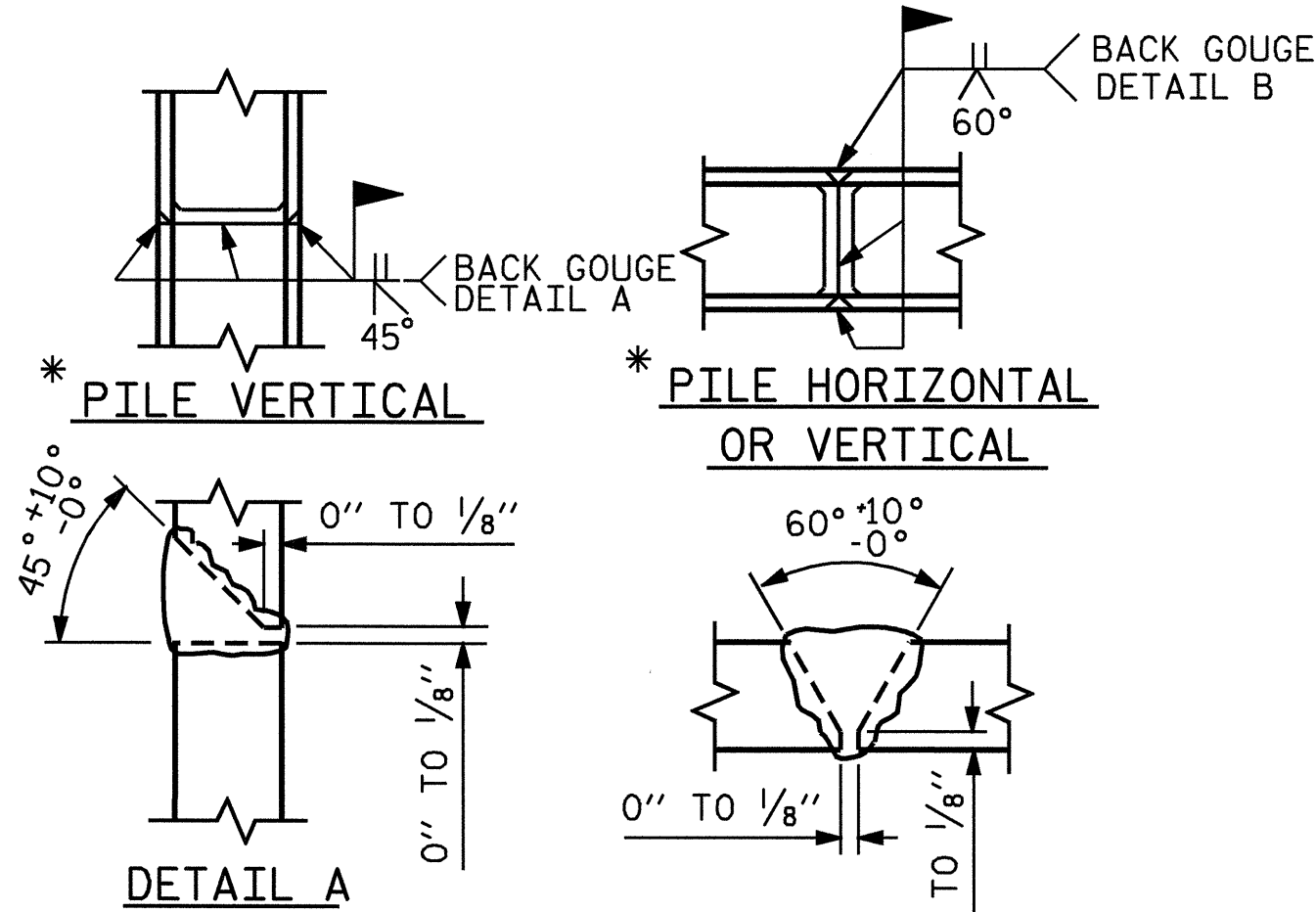


BAGGED STONE AND PIPE SHALL BE PLACED IMMEDIATELY AFTER COMPLETION OF END BENT EXCAVATION. PIPE MAY BE EITHER CONCRETE, CORRUGATED STEEL, CORRUGATED ALUMINUM ALLOY, OR CORRUGATED PLASTIC. PERFORATED PIPE WILL NOT BE ALLOWED.

BAGGED STONE SHALL REMAIN IN PLACE UNTIL THE ENGINEER DIRECTS THAT IT BE REMOVED. THE CONTRACTOR SHALL REMOVE AND DISPOSE OF SILT ACCUMULATIONS AT BAGGED STONE WHEN SO DIRECTED BY THE ENGINEER. BAGS SHALL BE REMOVED AND REPLACED WHENEVER THE ENGINEER DETERMINES THAT THEY HAVE DETERIORATED AND LOST THEIR EFFECTIVENESS.

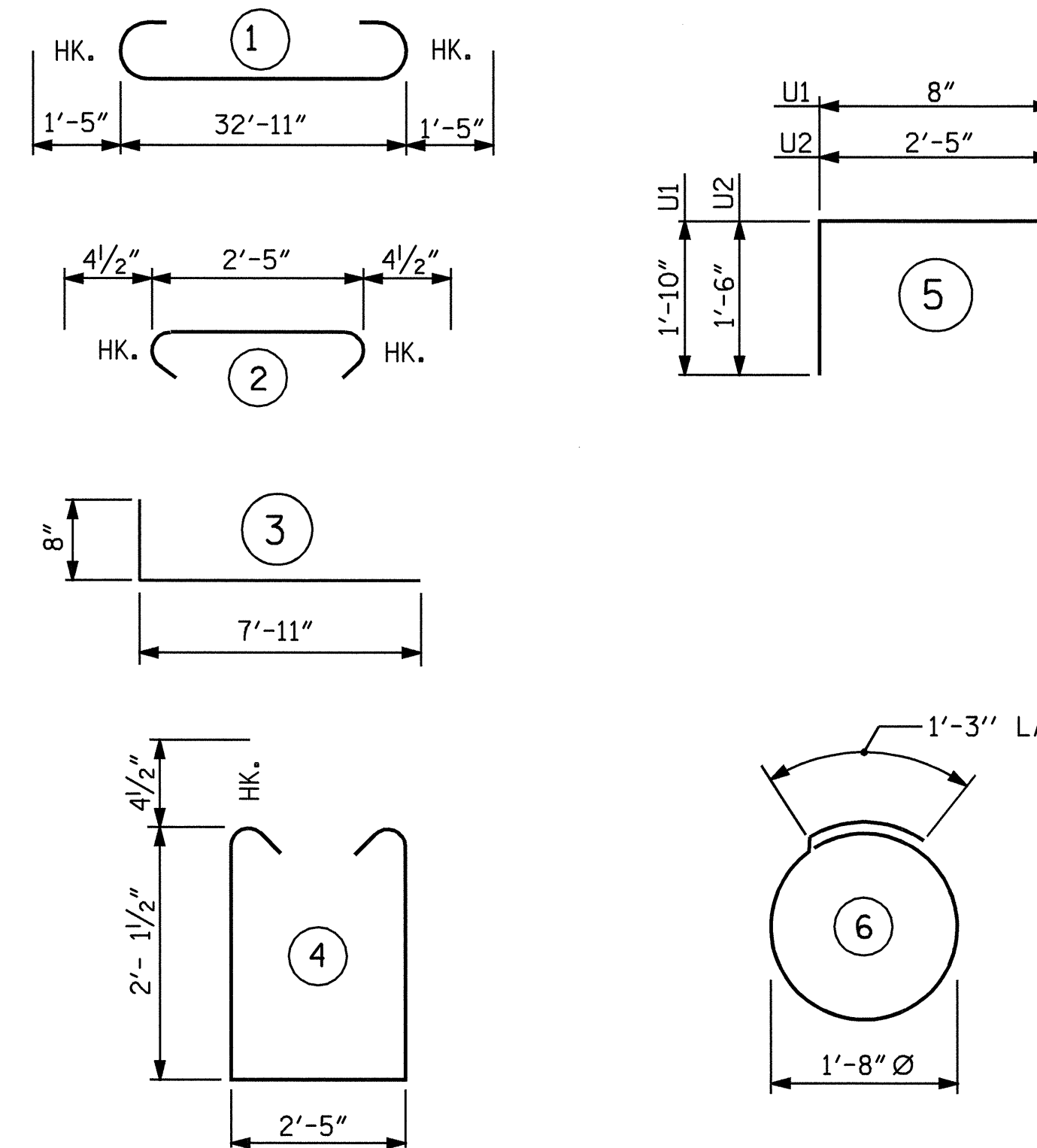
NO SEPARATE PAYMENT WILL BE MADE FOR THIS WORK AND THE ENTIRE COST OF THIS WORK SHALL BE INCLUDED IN THE UNIT CONTRACT PRICE BID FOR THE SEVERAL PAY ITEMS.

TEMPORARY DRAINAGE AT END BENT



PILE SPLICE DETAILS

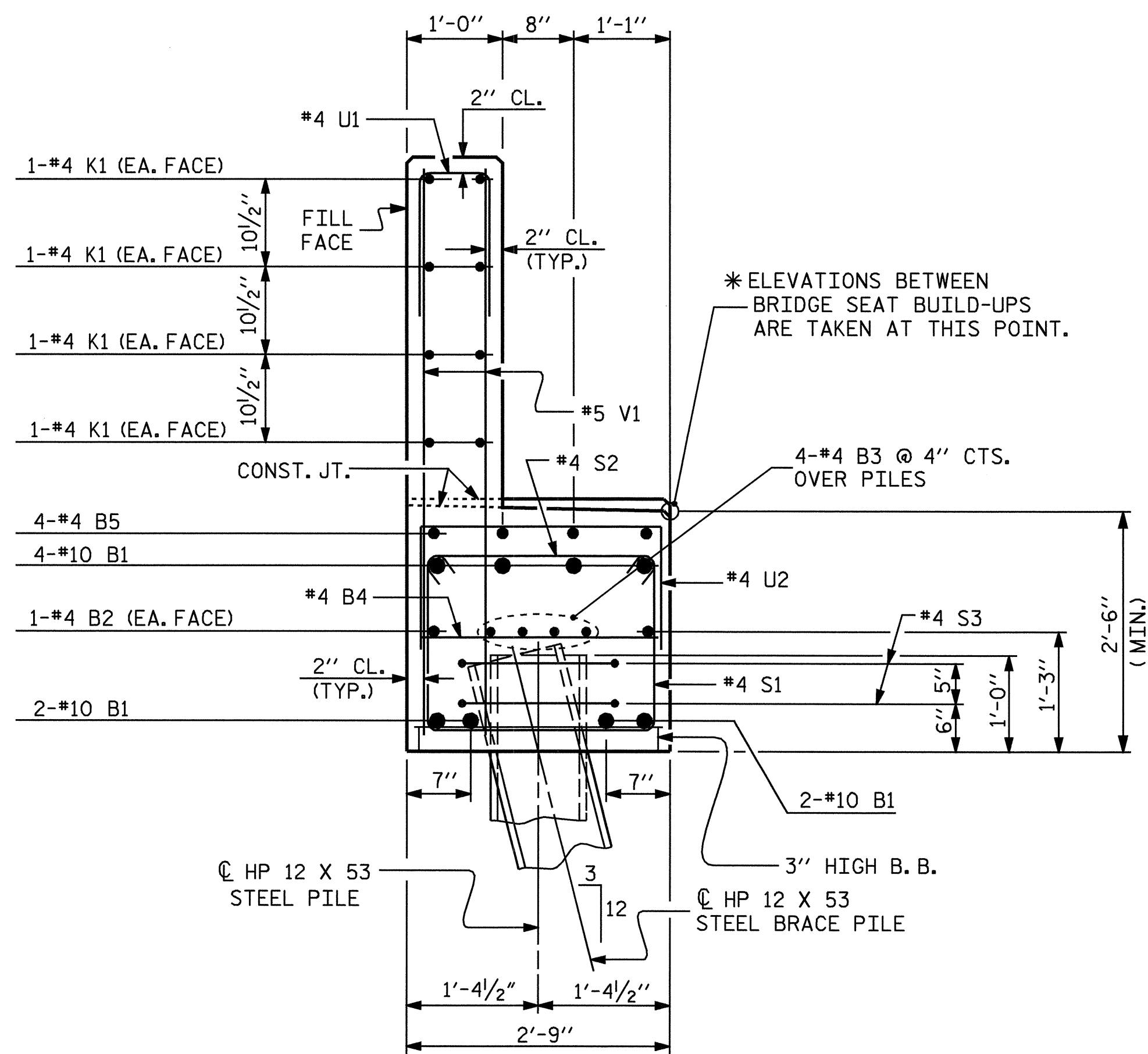
BAR TYPES



ALL BAR DIMENSIONS ARE OUT TO OUT.

BILL OF MATERIAL

END BENT #1					
BAR	NO.	SIZE	TYPE	LENGTH	WEIGHT
B1	8	#10	1	35'-9"	1231
B2	4	#4	STR	17'-8"	47
B3	8	#4	STR	17'-8"	94
B4	9	#4	STR	2'-5"	15
B5	8	#4	STR	2'-2"	12
H1	36	#5	3	8'-7"	322
H2	8	#5	STR	2'-7"	22
K1	16	#4	STR	17'-9"	190
S1	32	#4	4	7'-5"	159
S2	32	#4	2	3'-2"	68
S3	14	#4	6	6'-6"	61
U1	28	#4	5	4'-4"	81
U2	6	#4	5	5'-5"	22
V1	56	#5	STR	5'-2"	302
V2	52	#5	STR	6'-4"	343
REINFORCING STEEL				=	2969 LBS
CLASS "A" CONCRETE BREAKDOWN					
POUR #1					
CAP & LOWER WINGS				C.Y.	10.2
POUR #2					
BACKWALL & UPPER WINGS				C.Y.	6.3
TOTAL CLASS "A" CONCRETE				C.Y.	16.5
HP 12 X 53 STEEL PILES					
NO. 7				LIN. FT.	105
STEEL PILE POINTS					
NO.				7	EA.



SECTION A-A

PROJECT NO. B-2905
 ASHE COUNTY
 STATION: 19+05.00 -L-

SHEET 3 OF 3



STATE OF NORTH CAROLINA
 DEPARTMENT OF TRANSPORTATION
 RALEIGH

SUBSTRUCTURE END BENT #1

DRAWN BY : P. ADKINS/L.L.M. DATE : 01-05
 CHECKED BY : V.X. NGUYEN DATE : 01-05

REVISIONS						SHEET NO.
NO.	BY:	DATE:	NO.	BY:	DATE:	S-20
1			3			TOTAL SHEETS
2			4			35