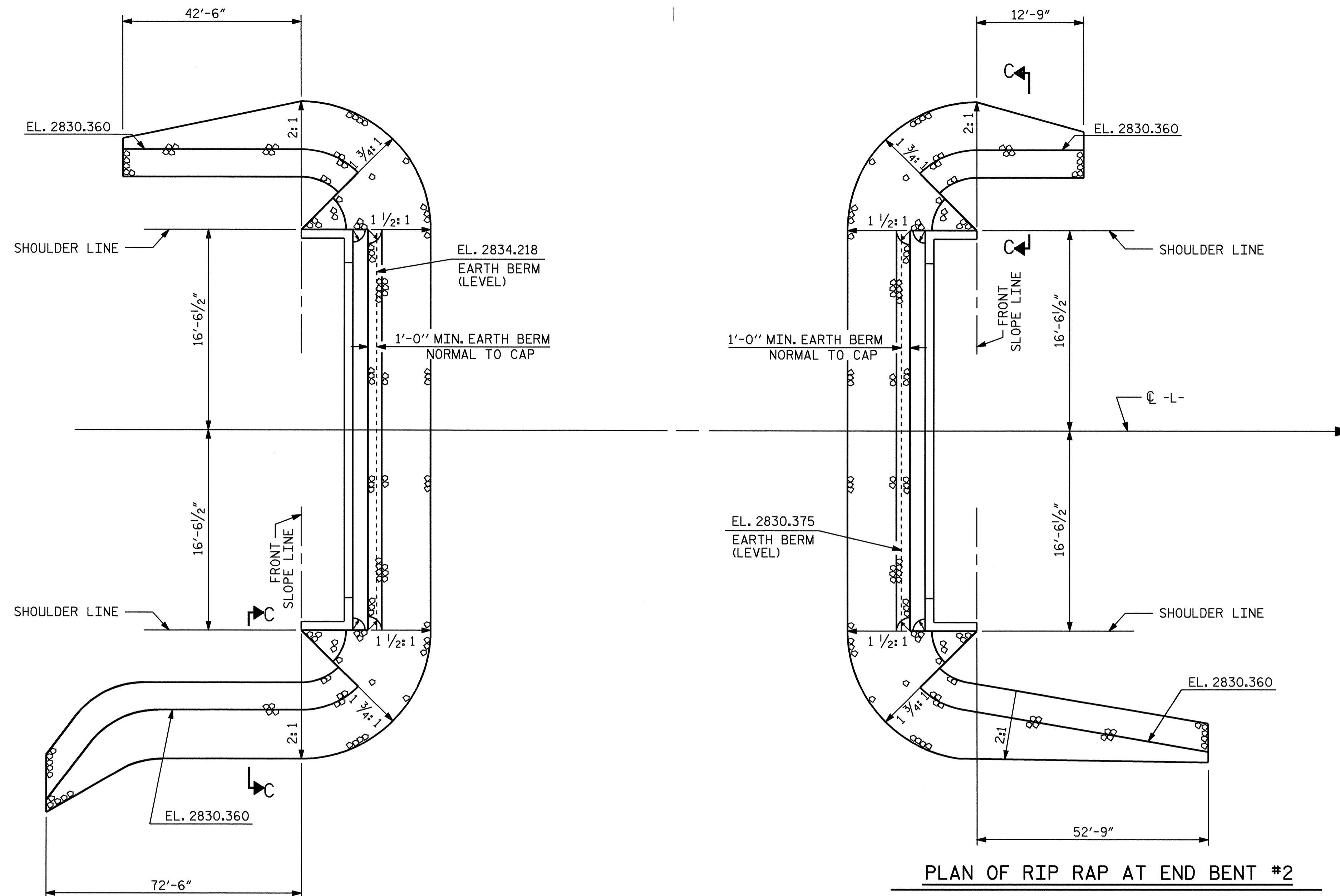


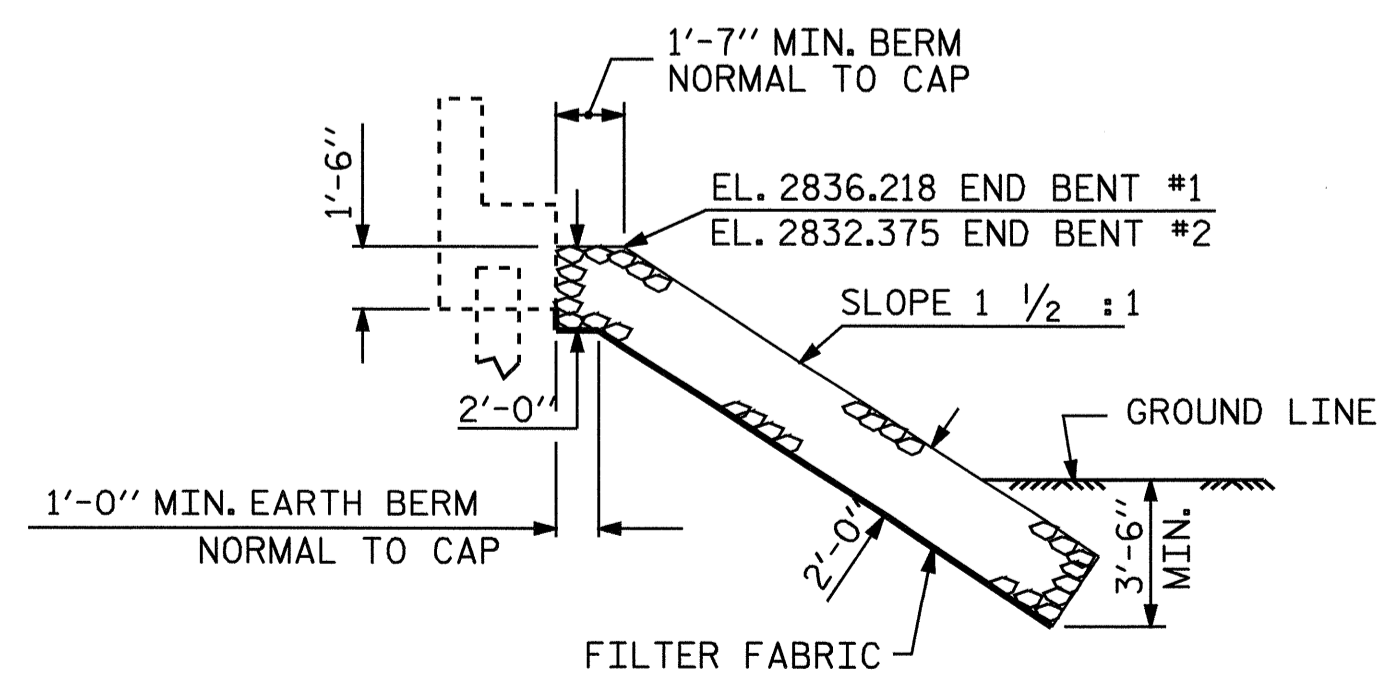
NOTES :  
FOR BERM WIDTH DIMENSIONS, SEE GENERAL DRAWING.



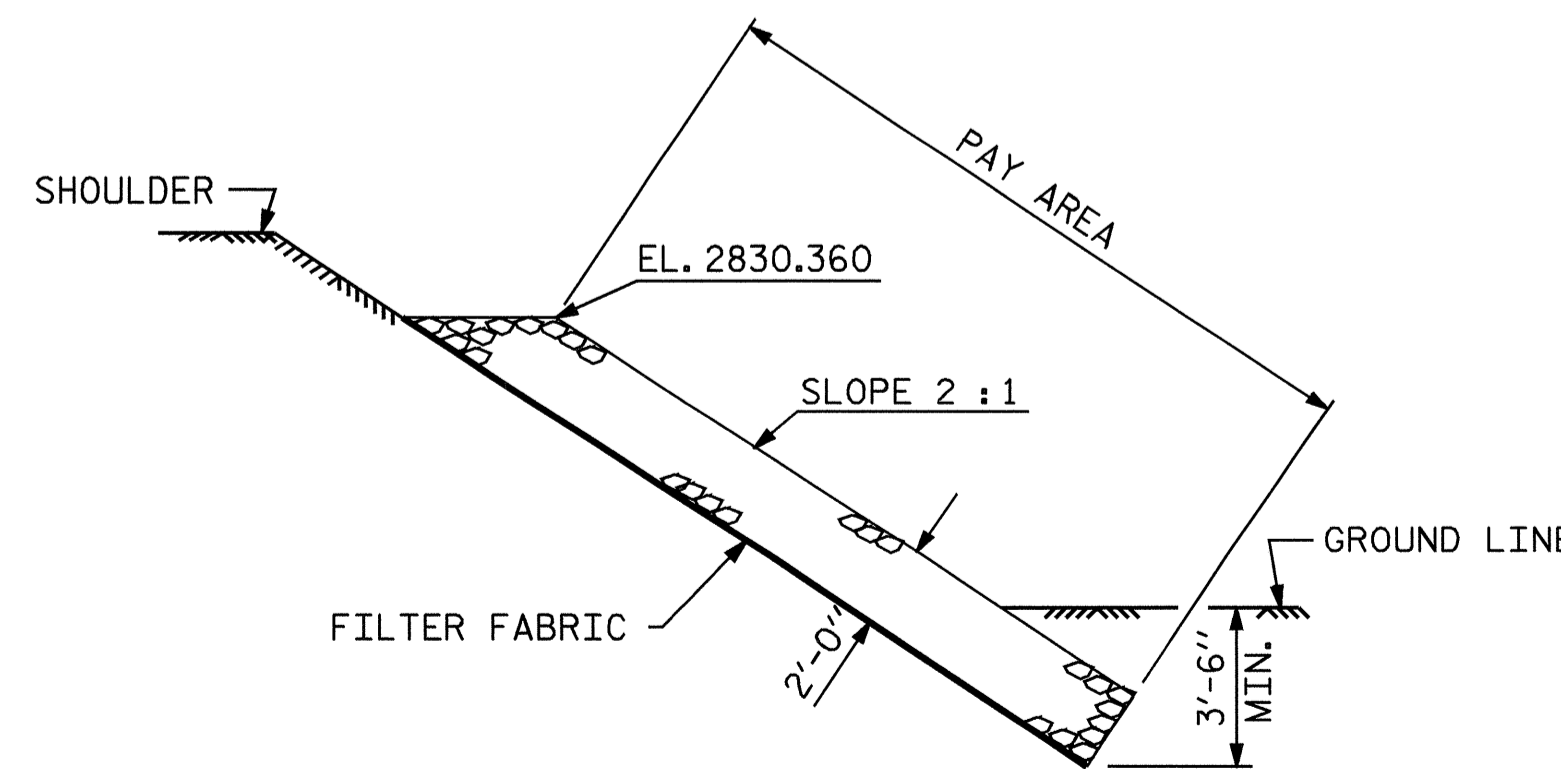
PLAN OF RIP RAP AT END BENT #1

PLAN OF RIP RAP AT END BENT #2

ESTIMATED QUANTITIES		
BRIDGE @ STA. 19+05.00 -L-	PLAIN RIP RAP CLASS II	FILTER FABRIC FOR DRAINAGE
	TONS	SQUARE YARDS
END BENT 1	210	235
END BENT 2	205	230



SECTION C-C  
BERM RIP RAPPED



SECTION C-C

PROJECT NO. B-2905  
ASHE COUNTY  
STATION: 19+05.00 -L-

STATE OF NORTH CAROLINA DEPARTMENT OF TRANSPORTATION RALEIGH					
STANDARD RIP RAP DETAILS					
REVISIONS					
NO.	BY:	DATE:	NO.	BY:	DATE:
1			3		
2			4		



ASSEMBLED BY : D. HODGE DATE : 1/05  
CHECKED BY : J. HARRIS DATE : 1/05  
DRAWN BY : FCJ 2/88 REV. 7/17/98 REK/RWW  
CHECKED BY : ARB 8/88 REV. 8/16/99 RWW/LES  
REV. 10/17/00 RWW/LES

01-FEB-2005 10:58  
W:\squadry\B2905\dodge\Microstation\B2905.sd.RR.dgn  
dchodge

NC005 STD. NO. RR2