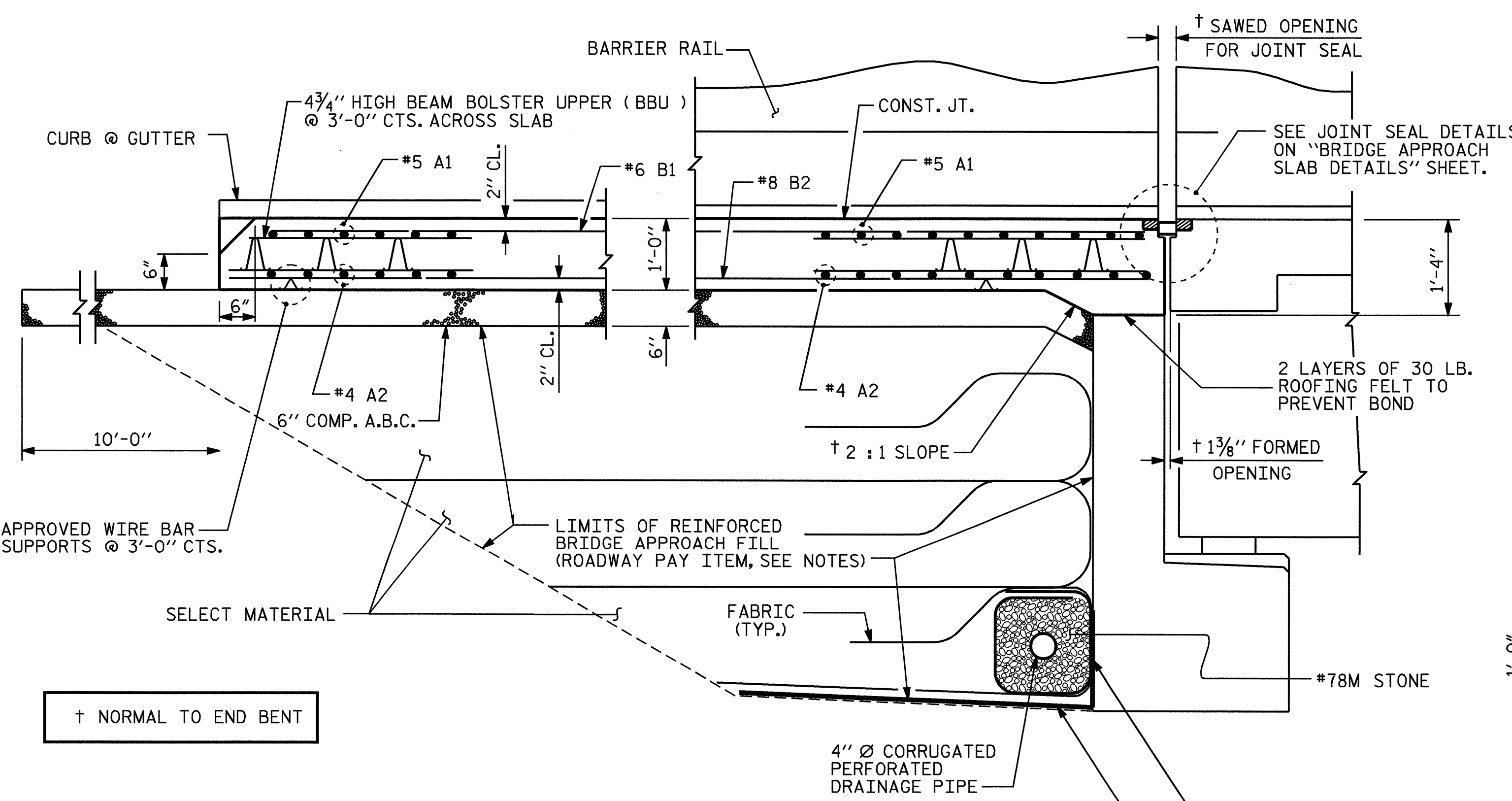


PLAN OF APPROACH SLAB @ END BENT #1

PLAN OF APPROACH SLAB @ END BENT #2

PLAN



SECTION THRU SLAB

NOTES

THE COST OF THE BARRIER RAIL ON THE APPROACH SLAB SHALL BE INCLUDED IN THE LUMP SUM CONTRACT PRICE BID FOR BRIDGE APPROACH SLABS.

APPROACH SLAB SHALL NOT BE CONSTRUCTED PRIOR TO COMPLETION OF THE BRIDGE DECK.

FOR REINFORCED BRIDGE APPROACH FILL INCLUDING FABRIC, IMPERMEABLE GEOMEMBRANE, 4" Ø DRAINAGE PIPE, #78M STONE, AND SELECT MATERIAL, SEE ROADWAY PLANS.

TEMPORARY DRAINAGE AND TEMPORARY BERM AND SLOPE DRAINS WILL BE PAID FOR UNDER THE LUMP SUM PRICE FOR BRIDGE APPROACH SLAB.

AREA BETWEEN THE WINGWALL AND APPROACH SLAB SHALL BE GRADED TO DRAIN THE WATER AWAY FROM THE FILL FACE OF THE BRIDGE.

THE 6" COMP. A.B.C. SHALL EXTEND 10'-0" BEYOND THE END OF THE APPROACH SLAB AND 1'-0" OUTSIDE OF EACH EDGE OF THE SLAB.

THE CONTRACTOR MAY USE 4" TYPE B-25.0B ASPHALT CONCRETE BASE COURSE IN LIEU OF 6" COMP. A.B.C. IF THIS OPTION IS USED, THE BASE COURSE SHALL EXTEND 1'-0" BEYOND THE END OF THE APPROACH SLAB AND THE WIDTH SHALL BE THE SAME AS THAT OF THE APPROACH SLAB.

THE CONTRACTOR MAY USE 5" CLASS "A" CONCRETE BASE IN LIEU OF 6" COMP. A.B.C. IF THIS OPTION IS USED, THE CONCRETE BASE SHALL EXTEND 1'-0" BEYOND THE END OF THE APPROACH SLAB AND THE WIDTH SHALL BE THE SAME AS THAT OF THE APPROACH SLAB. THE CONCRETE SHALL BE FINISHED TO A SMOOTH SURFACE AND A LAYER OF 30 LB ROOFING FELT SHALL BE PLACED BETWEEN THE CONCRETE BASE AND THE APPROACH SLAB TO PREVENT BOND. THE APPROACH SLAB SHALL NOT BE CAST UNTIL THE CONCRETE BASE HAS REACHED AN AGE OF THREE CURING DAYS.

THE JOINT SHALL BE SAWS PRIOR TO THE CASTING OF THE BARRIER RAIL.

WITH EVAZOTE JOINT SEAL

FOR EVAZOTE JOINT SEALS, SEE SPECIAL PROVISIONS.

THE NOMINAL UNCOMPRESSED SEAL WIDTH OF THE EVAZOTE JOINT SEAL SHALL BE 3 1/8".

FOR ELASTOMERIC CONCRETE, SEE SPECIAL PROVISIONS.

BILL OF MATERIAL

FOR ONE APPROACH SLAB (2 REQ'D)

BAR	NO.	SIZE	TYPE	LENGTH	WEIGHT
*A1	49	#5	STR	26'-8"	1363
A2	49	#4	STR	26'-8"	873
*B1	54	#6	STR	24'-4"	1974
B2	54	#8	STR	24'-8"	3556
*B3	2	#5	3	6'-4"	13
*B4	14	#5	STR	11'-8"	170
*S1	56	#5	STR	3'-3"	190
*S2	40	#5	1	4'-1"	170
*S3	20	#5	2	2'-3"	47

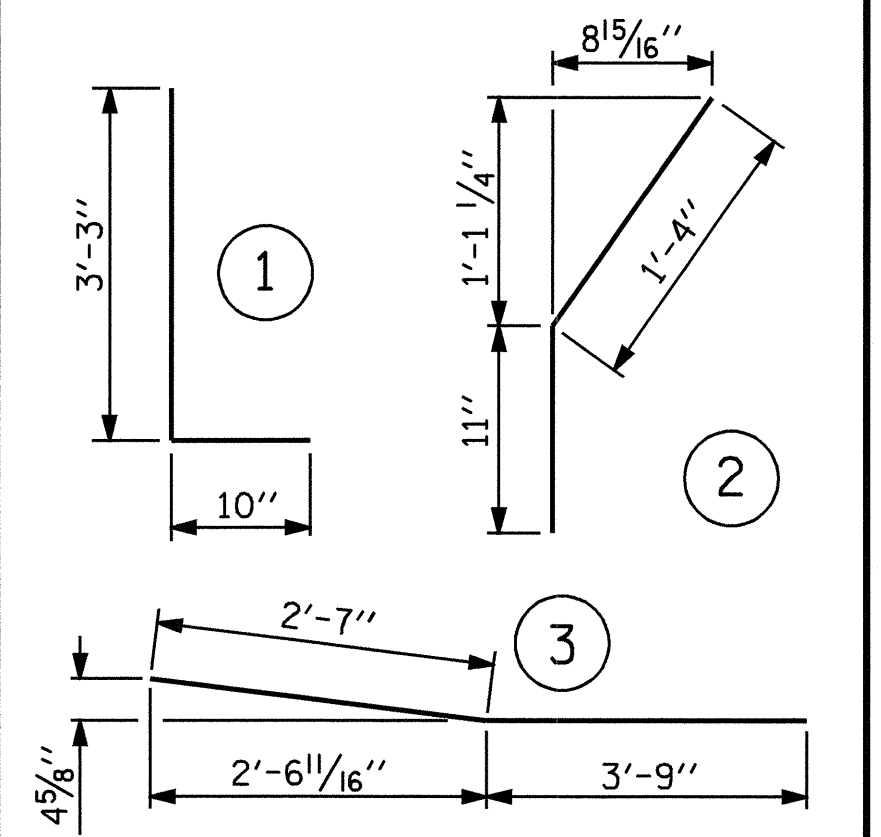
REINFORCING STEEL	LBS.	4429
*EPOXY COATED REINFORCING STEEL	LBS.	3927

CLASS AA CONCRETE BREAKDOWN

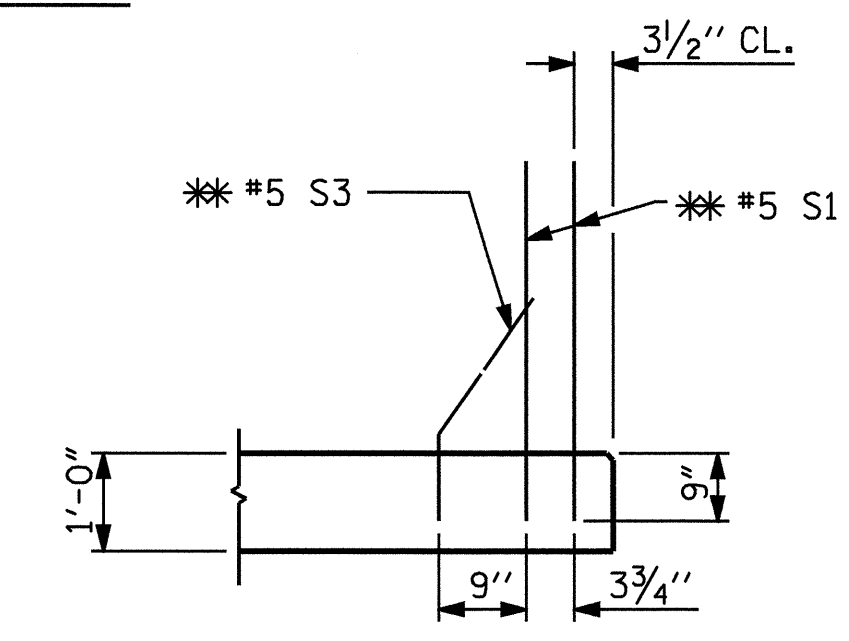
POUR 1 SLAB	C. Y.	25.3
POUR 2 RAIL	C. Y.	2.1

CLASS AA CONCRETE	C. Y.	27.4
-------------------	-------	------

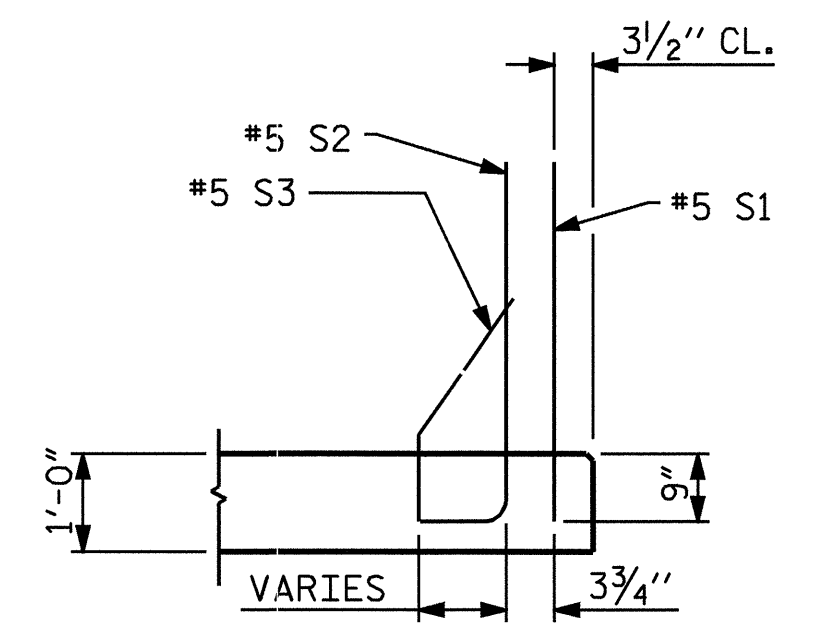
BAR TYPES



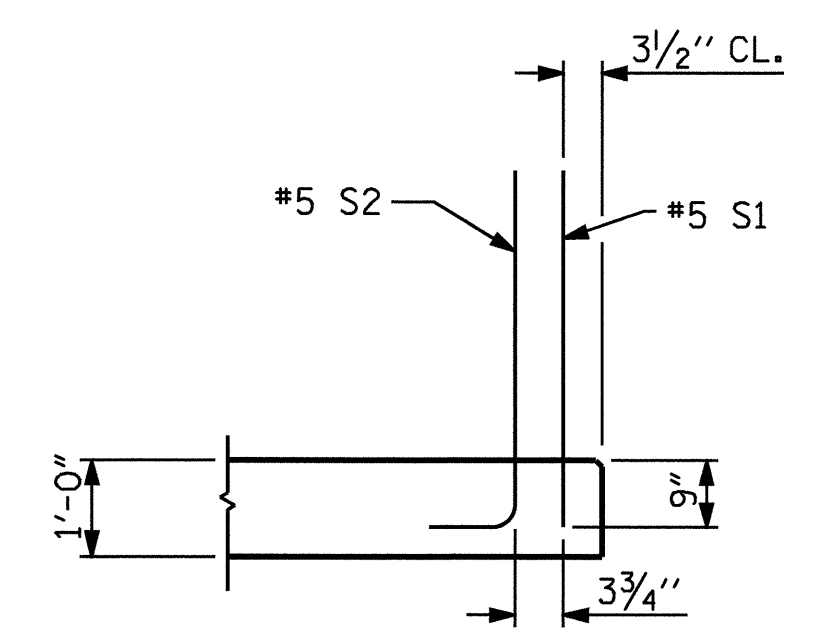
ALL BAR DIMENSIONS ARE OUT TO OUT
* THESE BARS ARE EPOXY COATED



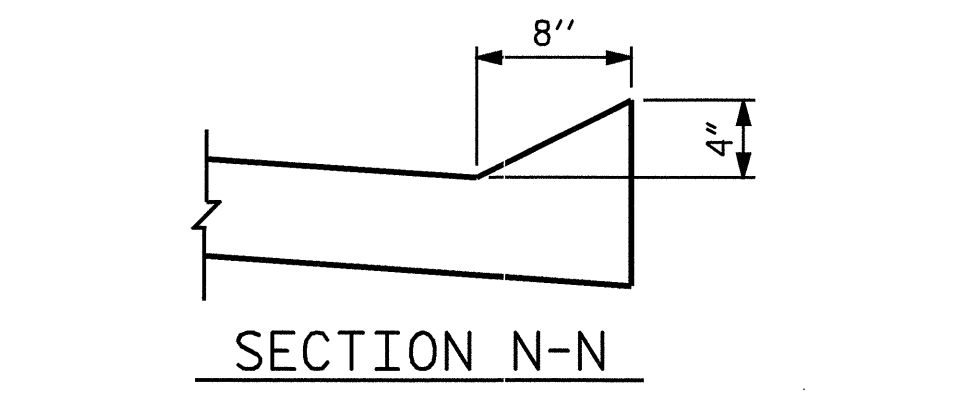
SECTION K-K
** ADHESIVELY ANCHORED



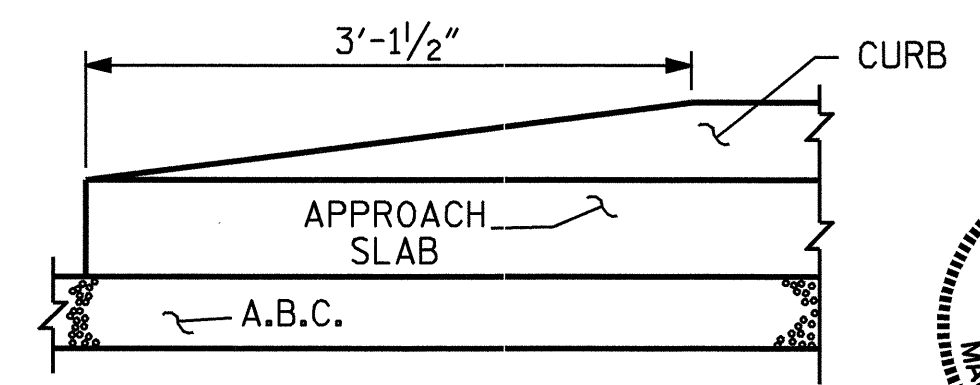
SECTION L-L



SECTION M-M



SECTION N-N



END OF CURB WITHOUT SHOULDER BERM GUTTER



PROJECT NO. B-2905
ASHE COUNTY
STATION: 19+05.00 -L-

SHEET 1 OF 3

STATE OF NORTH CAROLINA
DEPARTMENT OF TRANSPORTATION
RALEIGH

BRIDGE APPROACH SLAB FOR FLEXIBLE PAVEMENT WITH BARRIER RAIL

REVISIONS						SHEET NO.	
NO.	BY:	DATE:	NO.	BY:	DATE:	S-33	
1			3			TOTAL SHEETS	35
2			4				

ASSEMBLED BY: QT NGUYEN DATE: 8-04
CHECKED BY: L.L. MURPHY DATE: 10-04
DRAWN BY: LES 8/01 REV. 5/7/03R RWW/JTE
CHECKED BY: RDR 8/01