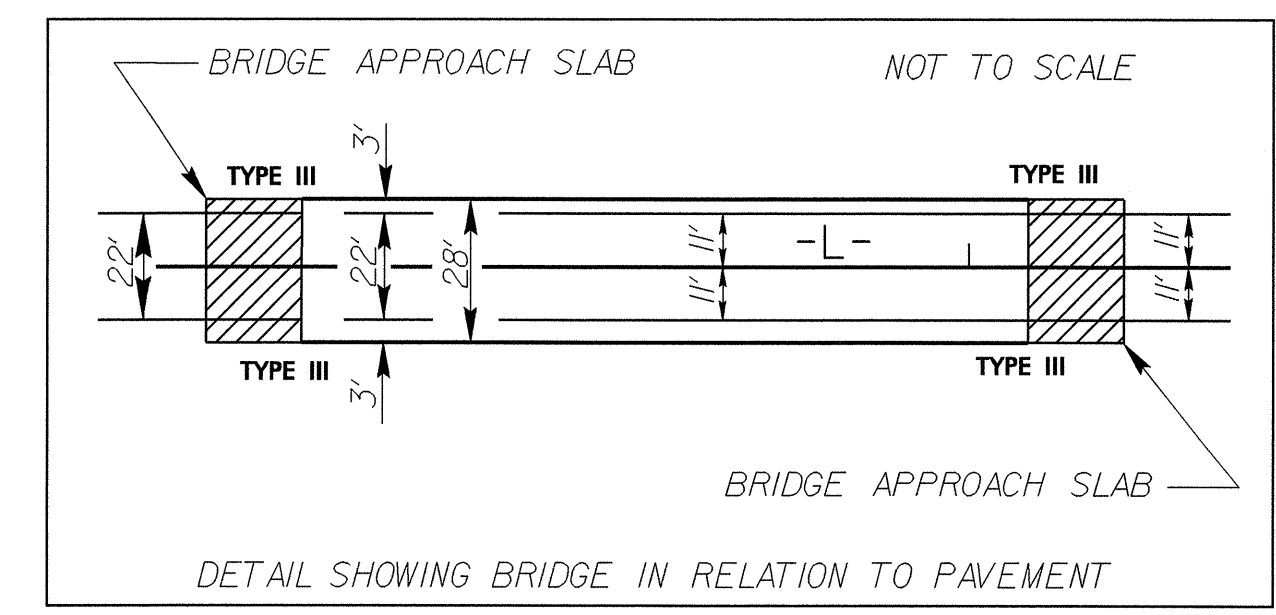
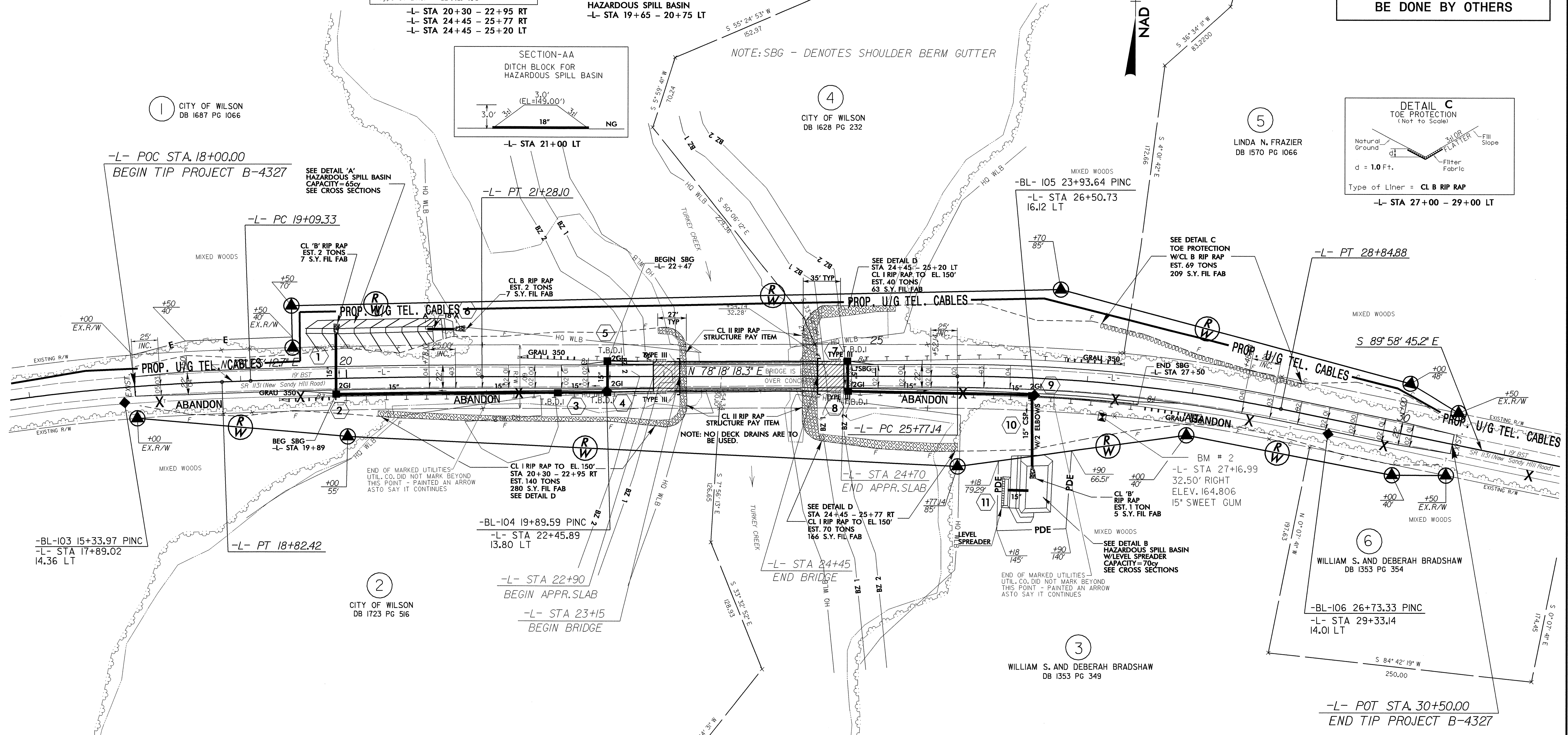
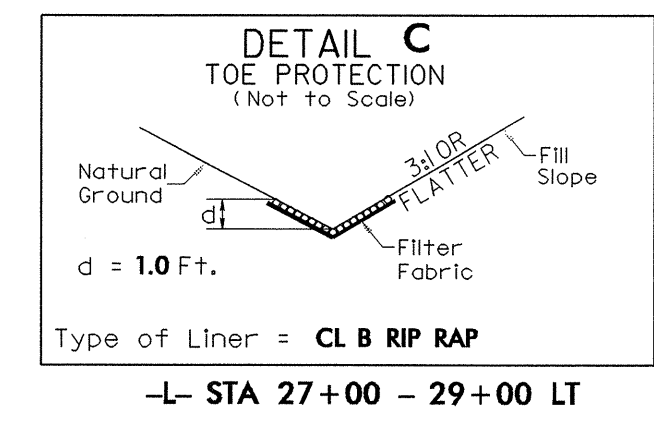
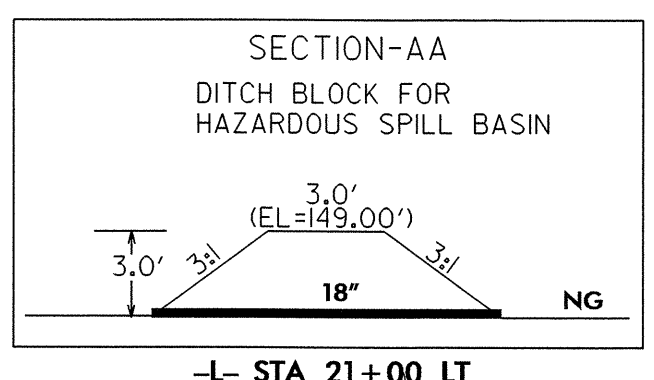
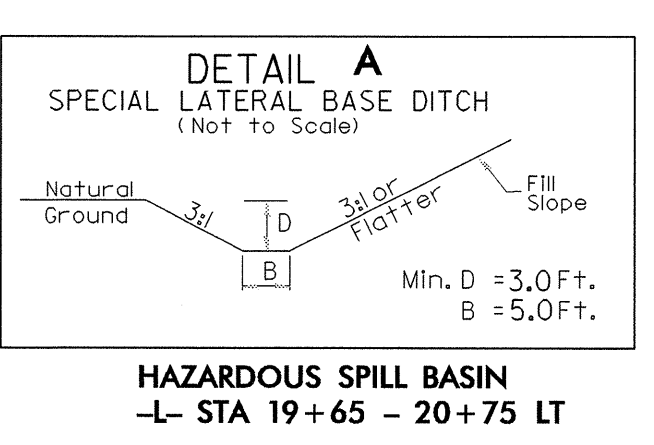
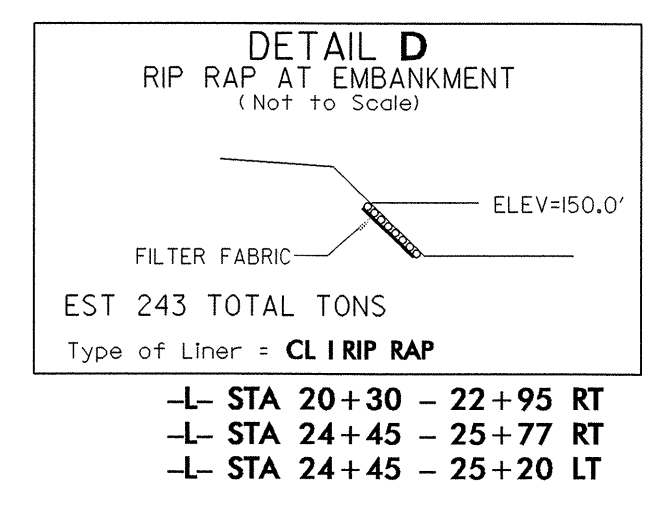


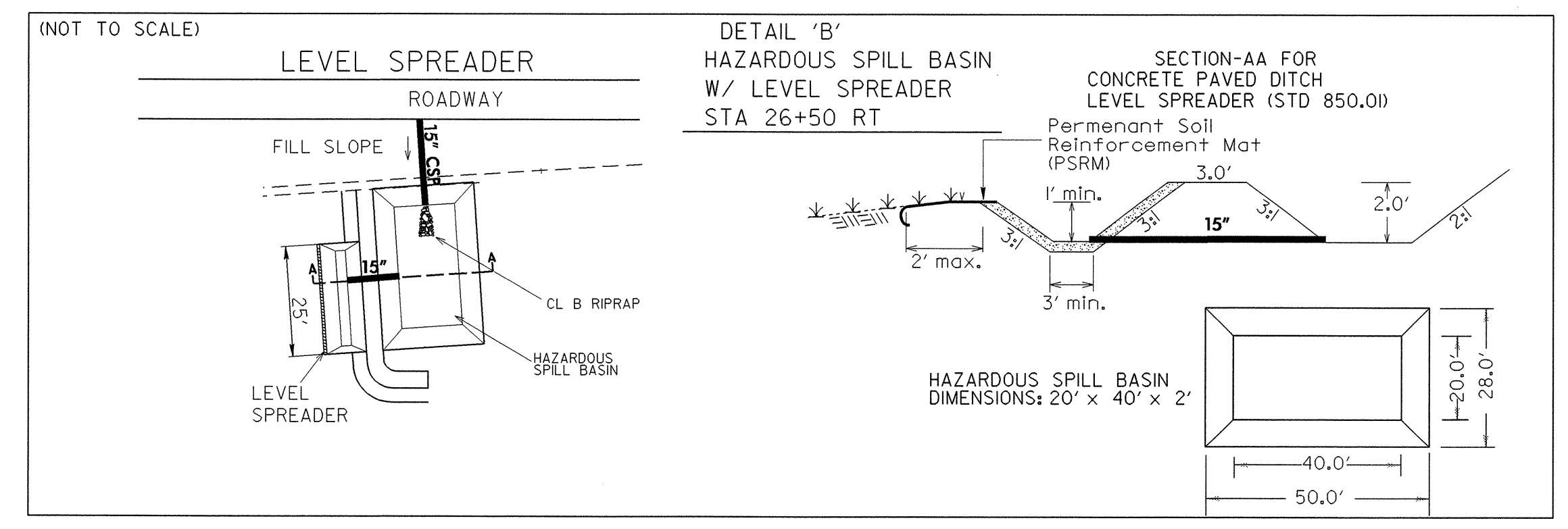
**UTILITIES BY OTHERS**

**NOTE:**  
ALL PROPOSED UTILITY WORK SHOWN ON THIS SHEET WILL BE DONE BY OTHERS

-L-		
PI Sta 17+36.85	PI Sta 20+18.72	PI Sta 27+31.55
$\Delta = 8' 29'' 00.8''$ (RT)	$\Delta = 1' 53'' 05.6''$ (RT)	$\Delta = 1' 42'' 56.5''$ (RT)
$D = 2' 54'' 30.3''$	$D = 0' 51'' 41.7''$	$D = 3' 48'' 25.3''$
$L = 291.69'$	$L = 218.77'$	$L = 307.74'$
$T = 146.11'$	$T = 109.39'$	$T = 154.41'$
$R = 1,970.00'$	$R = 6,650.00'$	$R = 1,505.00'$
$e = EXIST$	$e = SEE PLANS$	$e = SEE PLANS$



FOR STRUCTURE PLANS SEE SHEET S-1 THRU S-



8/17/99  
REVISIONS  
04-JAN-2005 14:31  
V:\Utility\Projects\B4327\B4327psh04\_U02.PSH  
11/11/05 10:51 AM  
11/11/05 10:51 AM  
11/11/05 10:51 AM