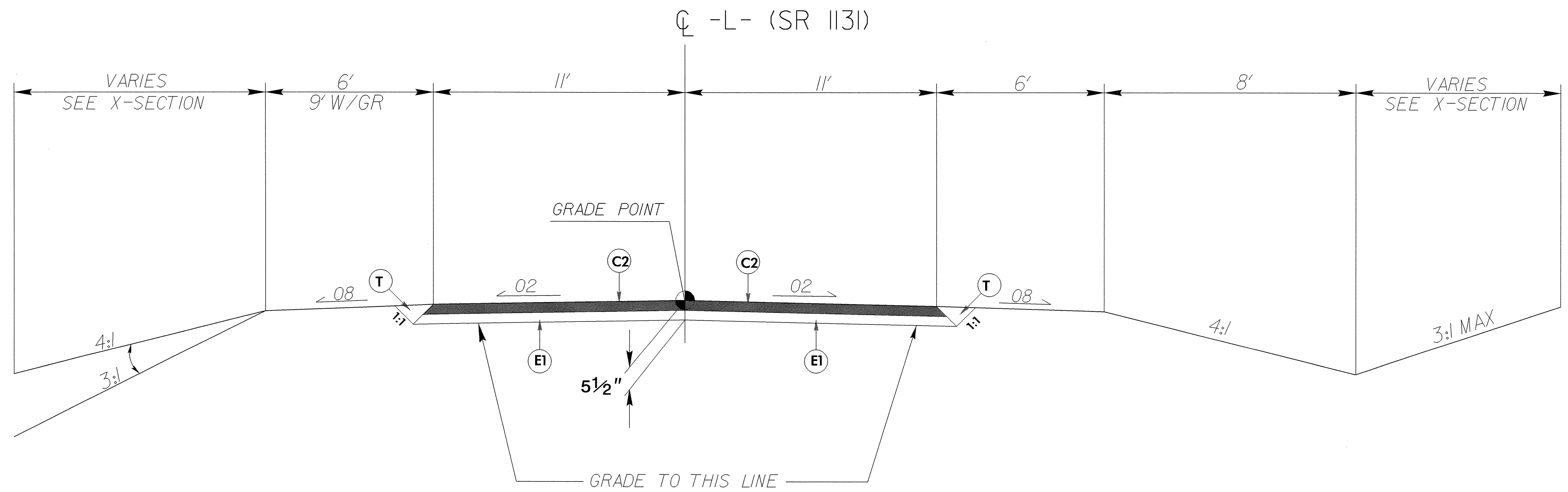


PROJECT REFERENCE NO. B-4327	SHEET NO. 2-A
ROADWAY DESIGN ENGINEER GREGORY E. BROWN 1-24-05	PAVEMENT DESIGN ENGINEER CLARK S. MORRISON 1/24/05



TYPICAL SECTION NO. 2

USE TYPICAL SECTION NO. 2

- L- STA. 20+50.00 TO STA. 23+15 (BEG BRIDGE)
- L- STA. 24+45 (END BRIDGE) TO STA. 29+00.00

C2	2 1/2" SF9.5A
E1	3" B25.0B
T	EARTH MATERIAL