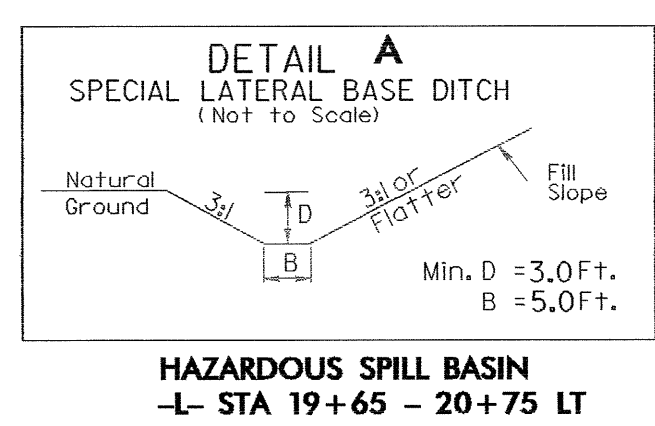
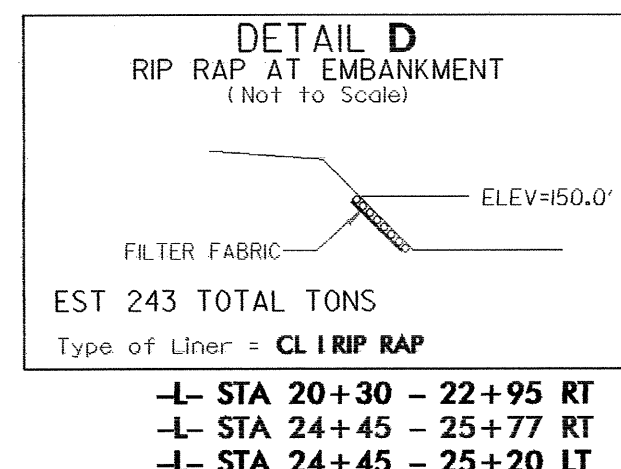
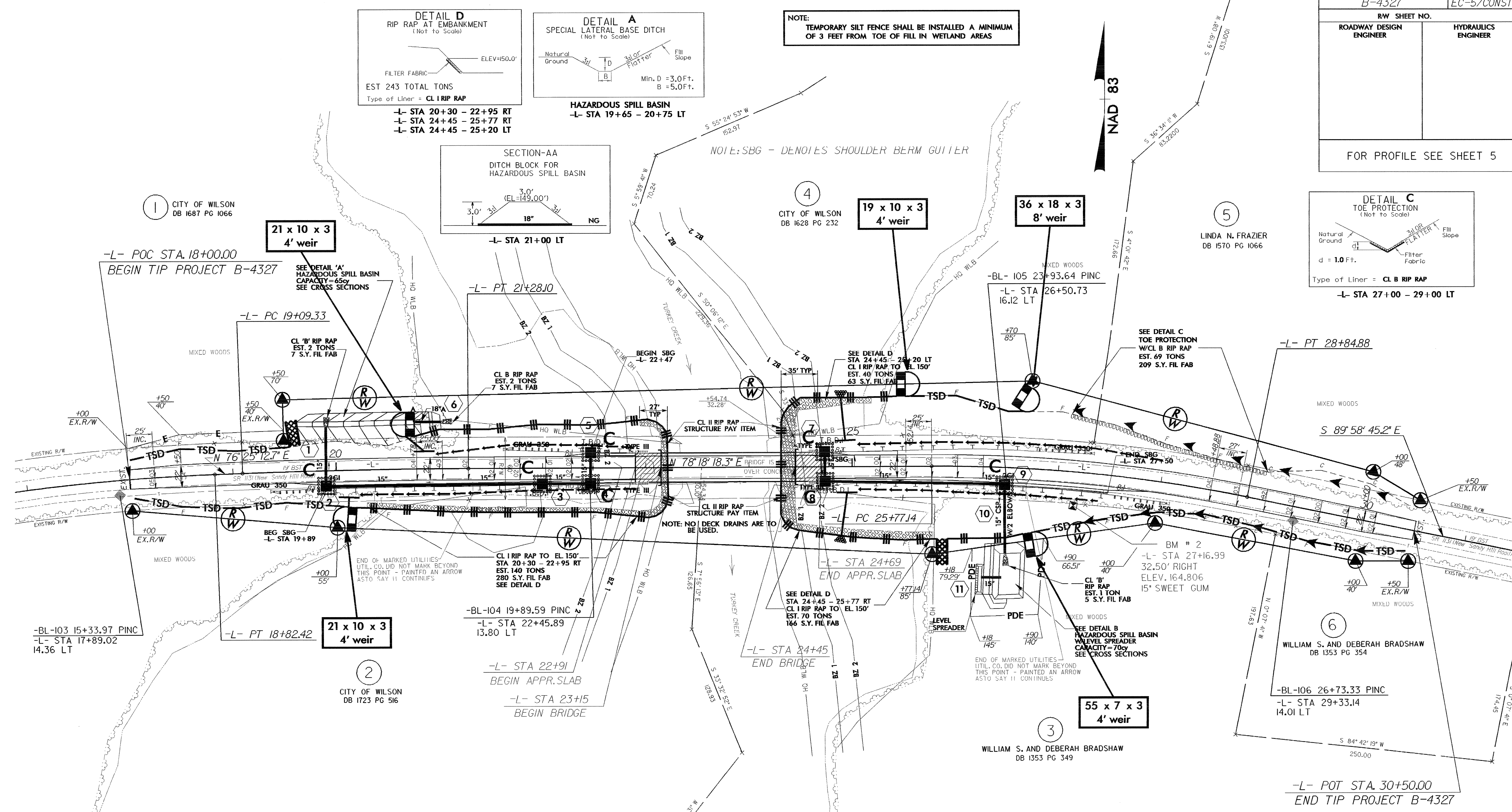
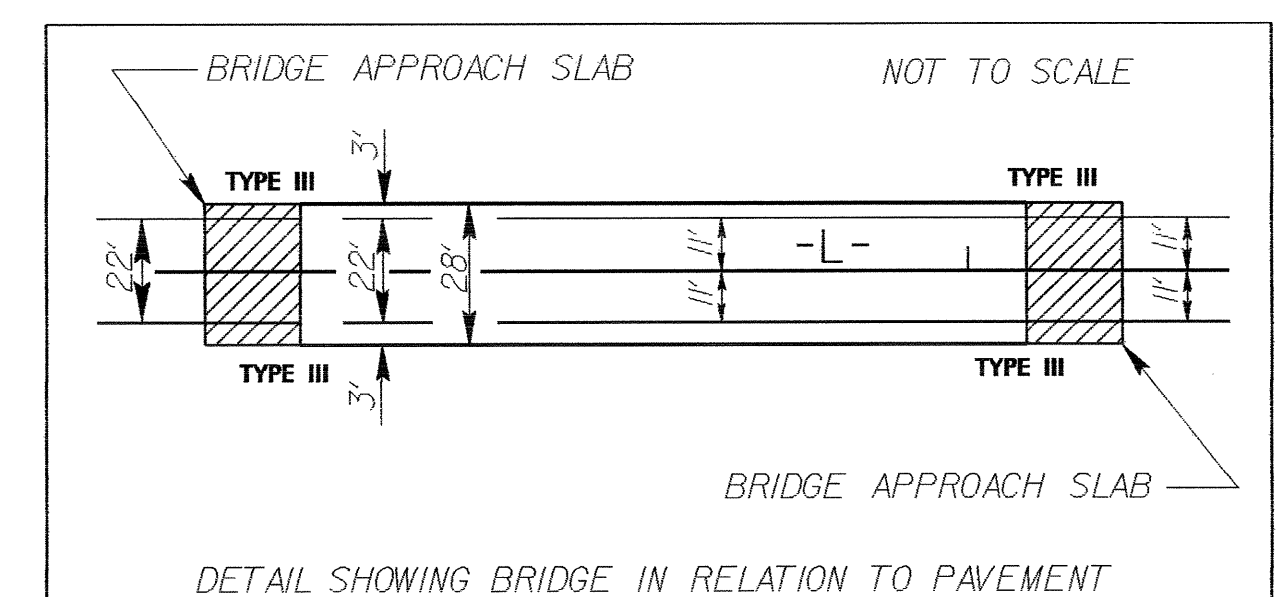
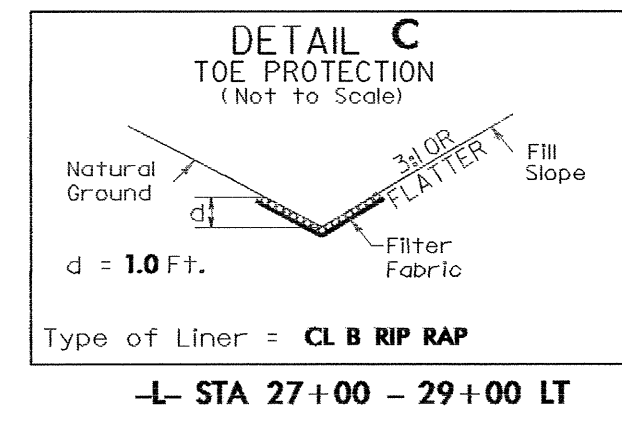
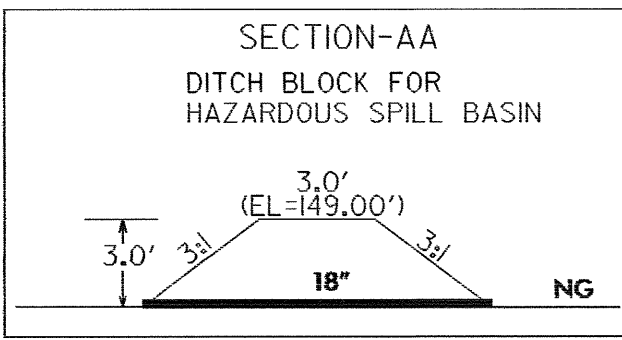


PROJECT REFERENCE NO.		SHEET NO.	
B-4327		EC-5/CONST.4	
RW SHEET NO.		HYDRAULICS ENGINEER	
ROADWAY DESIGN ENGINEER			
FOR PROFILE SEE SHEET 5			



NOTE:
TEMPORARY SILT FENCE SHALL BE INSTALLED A MINIMUM OF 3 FEET FROM TOE OF FILL IN WETLAND AREAS



FOR STRUCTURE PLANS SEE SHEET S-1 THRU S-24

NOTE: THE EXISTING PAVEMENT IS TO BE REMOVED AND THE ROADBED SCARIFIED TO A MINIMUM DEPTH OF 2'-0" BELOW ORIGINAL SURFACE IN THE AREA WHERE PILES ARE TO BE DRIVEN THROUGH THE PROPOSED EMBANKMENT, AS DIRECTED BY THE ENGINEER.

