

T.I.P. NO.	SHEET NO.
B-3922	UO-1

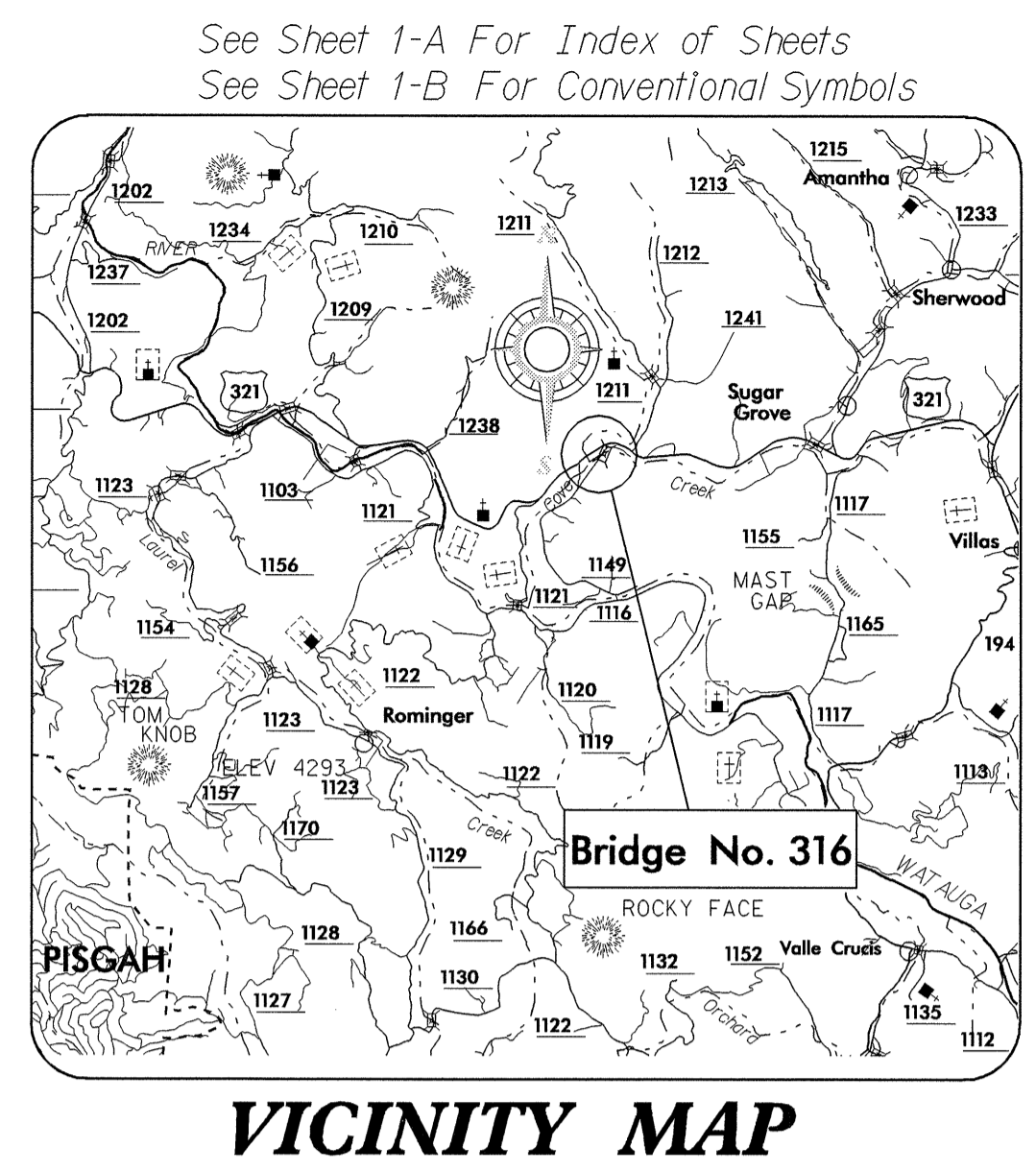
UTILITIES BY OTHERS

STATE OF NORTH CAROLINA  
DIVISION OF HIGHWAYS

---

**UTILITY BY OTHERS PLANS**  
**WATAUGA COUNTY**

---

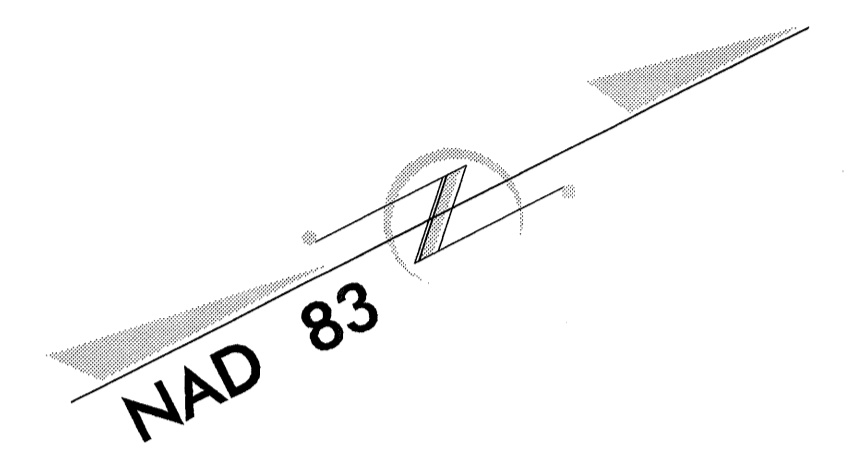


VICINITY MAP

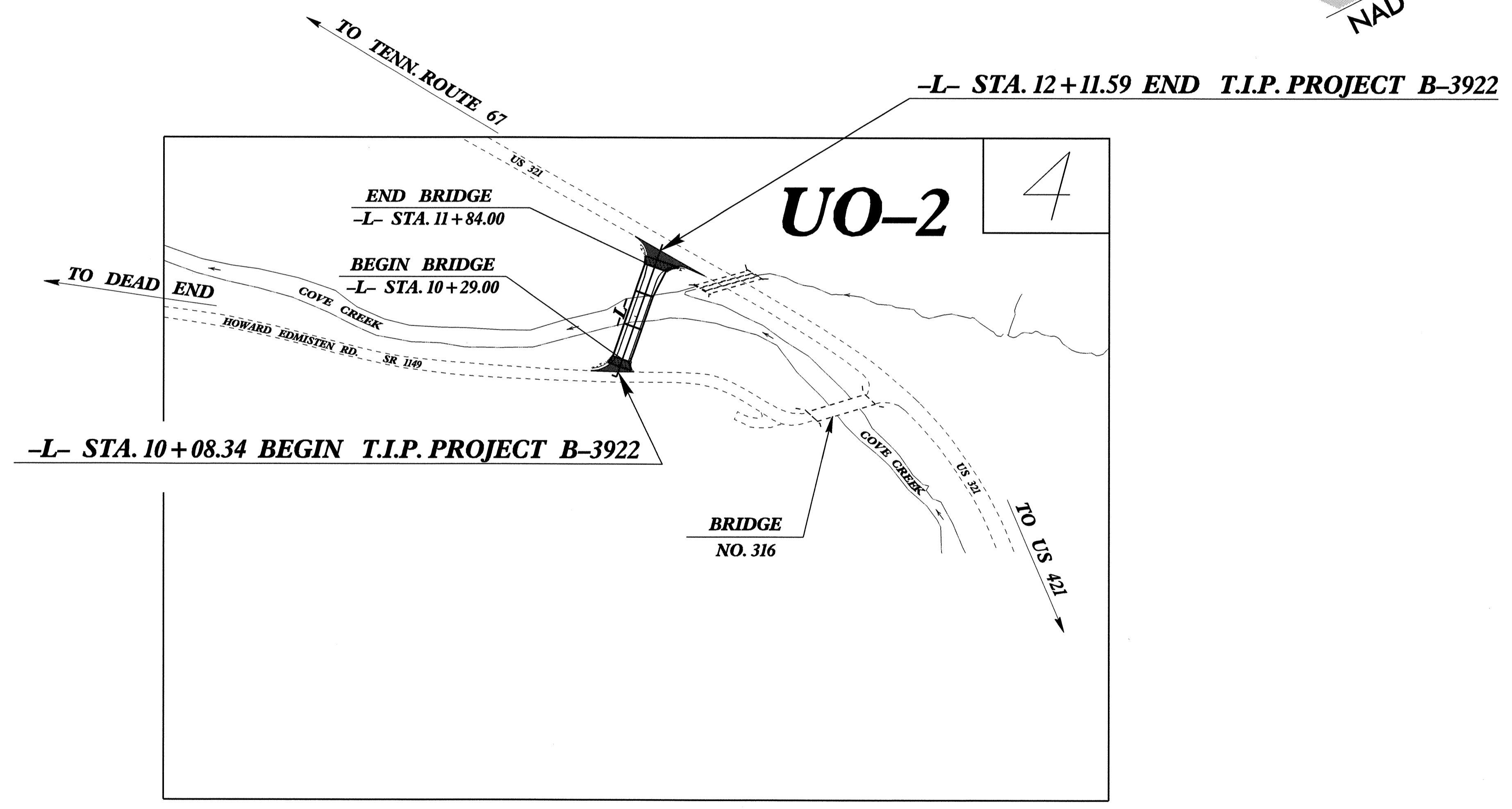
90% SUBMITTAL

**LOCATION:** Bridge No. 316 over Cove Creek  
on SR 1149 (Howard Edmisten Road)

**TYPE OF WORK:** GRADING, PAVING, DRAINAGE & STRUCTURE



**TIP: B-3922**



INDEX OF SHEETS	
SHEET NO.	DESCRIPTION
UO-1	TITLE SHEET
UO-2	UTILITY BY OTHERS PLAN SHEET

POWER AND TELEPHONE OWNERS ON PROJECT
(1) POWER BLUE RIDGE EMC
(2) TELEPHONE: SKYLINE TELEPHONE MEMBERSHIP CORPORATION
(3)
(4)
(5)

8/17/99  
03-JAN-2005 11:31 U:\N\Pro\B3922-ROY-TSH-U01.DGN  
R:\Utilities\Rich\_P\1222286  
the file name is