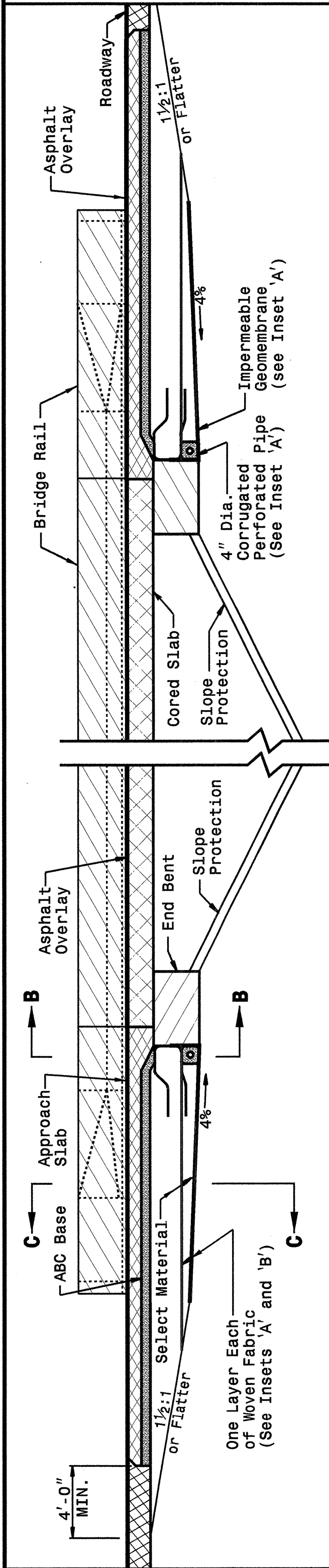
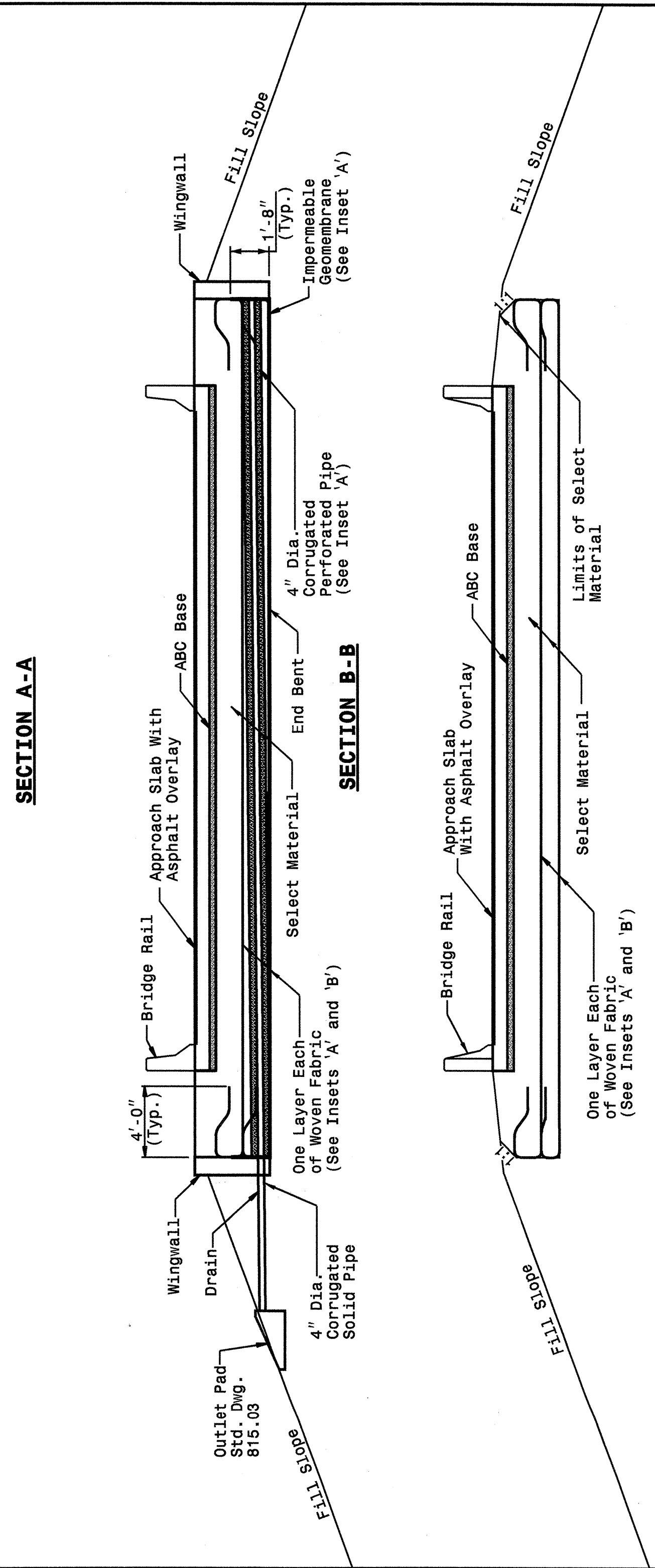


I:\SEP-2004\10-52\W:\Special Details\stds\stds\02\stds to Special Details\english\422d10\0422d10.dgn  
 5/14/99

STATE OF NORTH CAROLINA  
 DEPT. OF TRANSPORTATION  
 DIVISION OF HIGHWAYS  
 RALEIGH, N.C.



ENGLISH DETAIL DRAWING FOR  
**REINFORCED BRIDGE APPROACH FILLS**  
 CORED SLAB BRIDGES



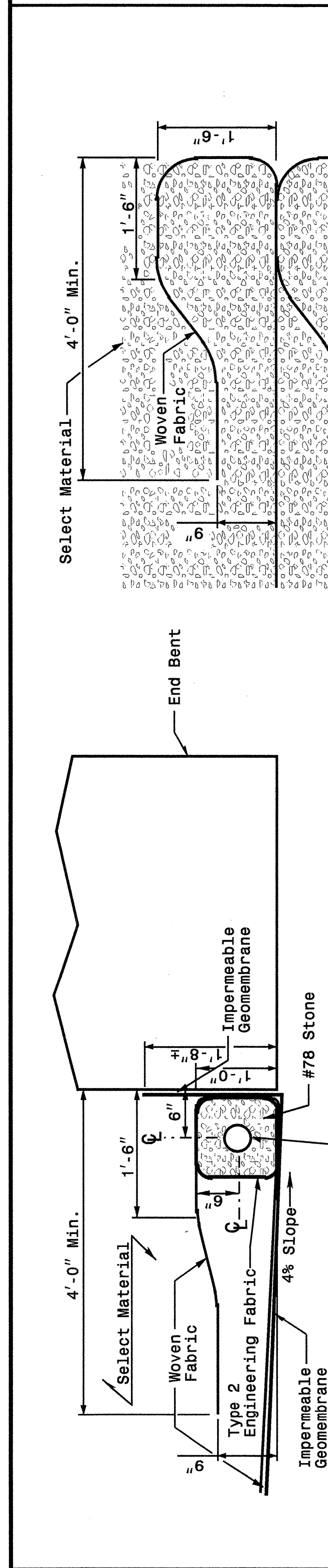
SHEET 3 OF 4  
**422D10**

SHEET 3 OF 4  
**422D10**

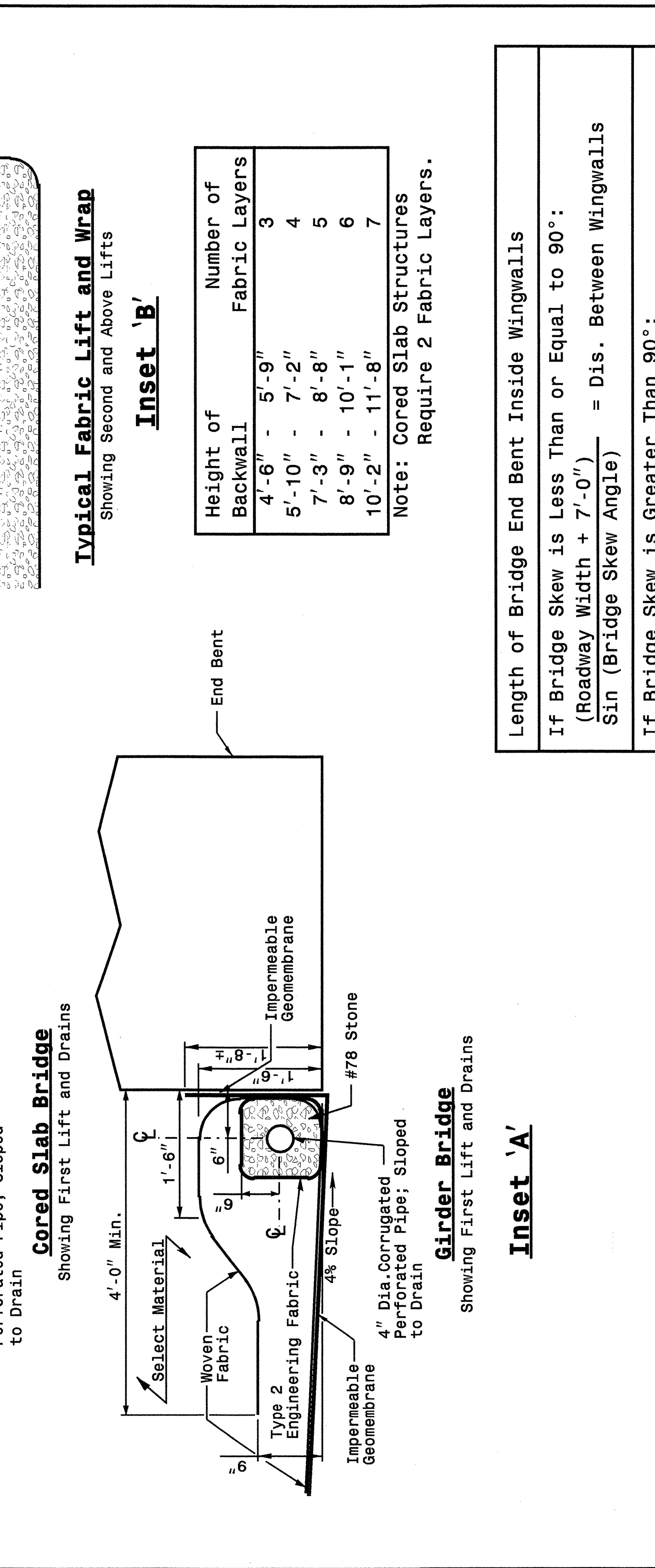
STATE OF NORTH CAROLINA  
 DEPT. OF TRANSPORTATION  
 DIVISION OF HIGHWAYS  
 RALEIGH, N.C.

ENGLISH DETAIL DRAWING FOR  
**REINFORCED BRIDGE APPROACH FILLS**  
 CORED SLAB BRIDGES

STATE OF NORTH CAROLINA  
 DEPT. OF TRANSPORTATION  
 DIVISION OF HIGHWAYS  
 RALEIGH, N.C.



ENGLISH DETAIL DRAWING FOR  
**REINFORCED BRIDGE APPROACH FILLS**  
 INSETS AND CHARTS



SHEET 4 OF 4  
**422D10**

SHEET 4 OF 4  
**422D10**

STATE OF NORTH CAROLINA  
 DEPT. OF TRANSPORTATION  
 DIVISION OF HIGHWAYS  
 RALEIGH, N.C.

ENGLISH DETAIL DRAWING FOR  
**REINFORCED BRIDGE APPROACH FILLS**  
 INSETS AND CHARTS

| Height of Backwall | Number of Fabric Layers |
|--------------------|-------------------------|
| 4'-6" - 5'-9"      | 3                       |
| 5'-10" - 7'-2"     | 4                       |
| 7'-3" - 8'-8"      | 5                       |
| 8'-9" - 10'-1"     | 6                       |
| 10'-2" - 11'-8"    | 7                       |

Note: Cored Slab Structures Require 2 Fabric Layers.

**Typical Fabric Lift and Wrap**  
 Showing Second and Above Lifts  
**Inset 'B'**

Length of Bridge End Bent Inside Wingwalls  
 If Bridge Skew is Less Than or Equal to 90°:  
 (Roadway Width + 7'-0") = Dis. Between Wingwalls  
 Sin (Bridge Skew Angle)

If Bridge Skew is Greater Than 90°:  
 (Roadway Width + 7'-0") = Dis. Between Wingwalls  
 Cos (Bridge Skew Angle - 90°)

**DESIGN SERVICES UNIT**  
**STANDARDS AND SPECIAL DESIGN**  
 Office 919-250-4128 FAX 919-250-4119

**SEE PLATE FOR TITLE**

ORIGINAL BY: 2002 STANDARDS DATE: 01-15-02  
 MODIFIED BY: E.E. WARD DATE: 09-15-04  
 CHECKED BY: [Signature] DATE: 11/6/04  
 FILE SPEC.: stds/02stdstodetails/english/422d10.dgn

