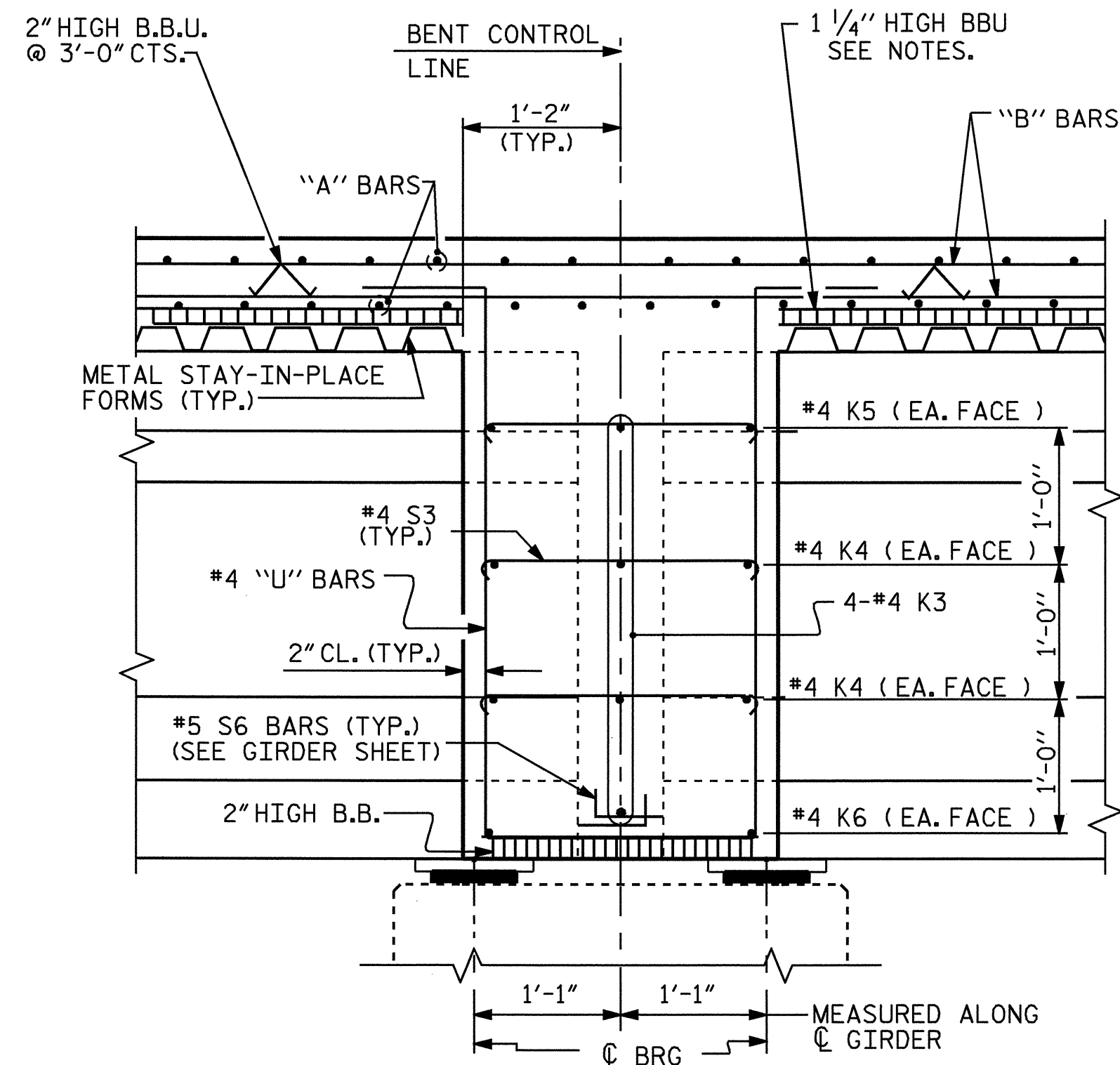
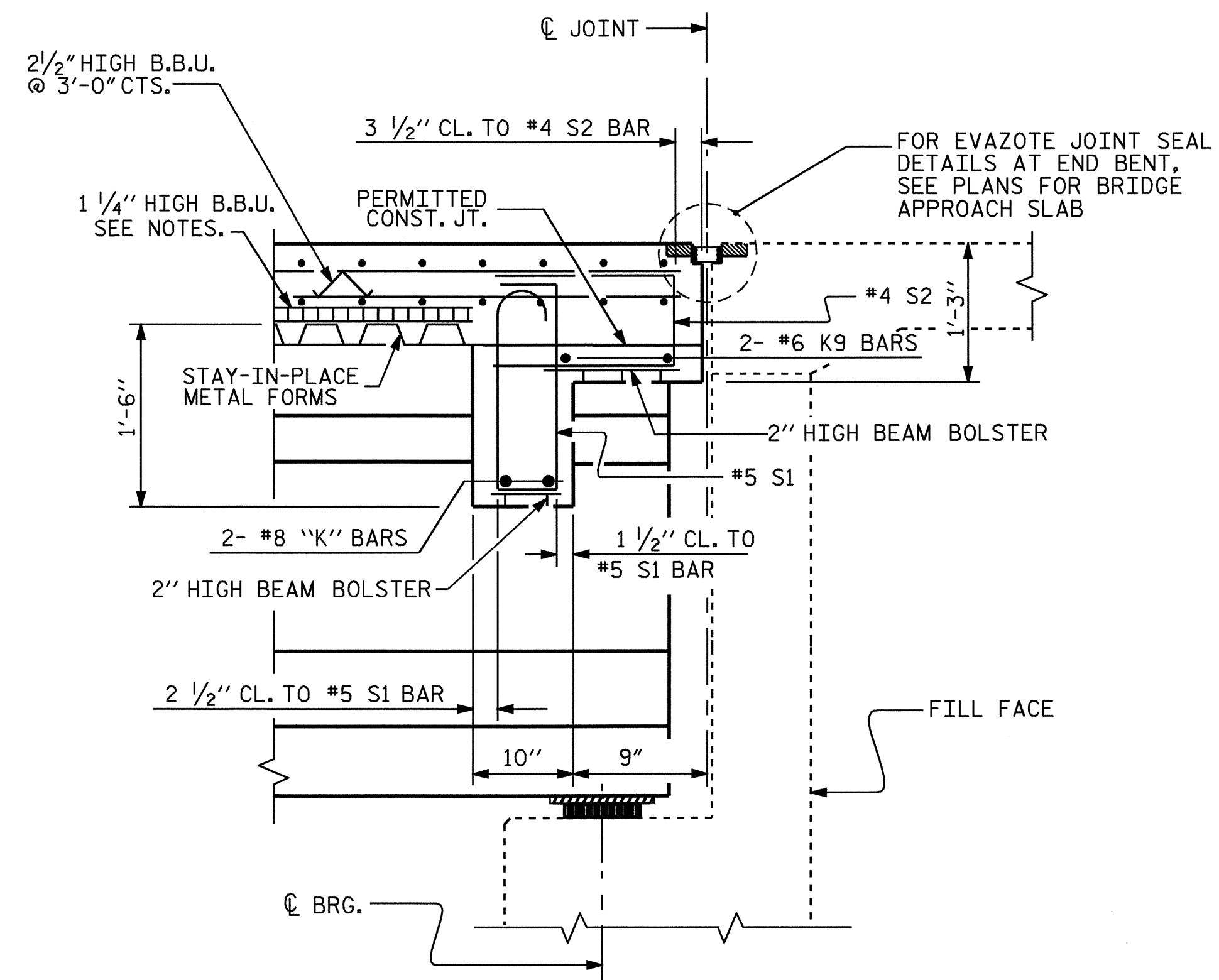


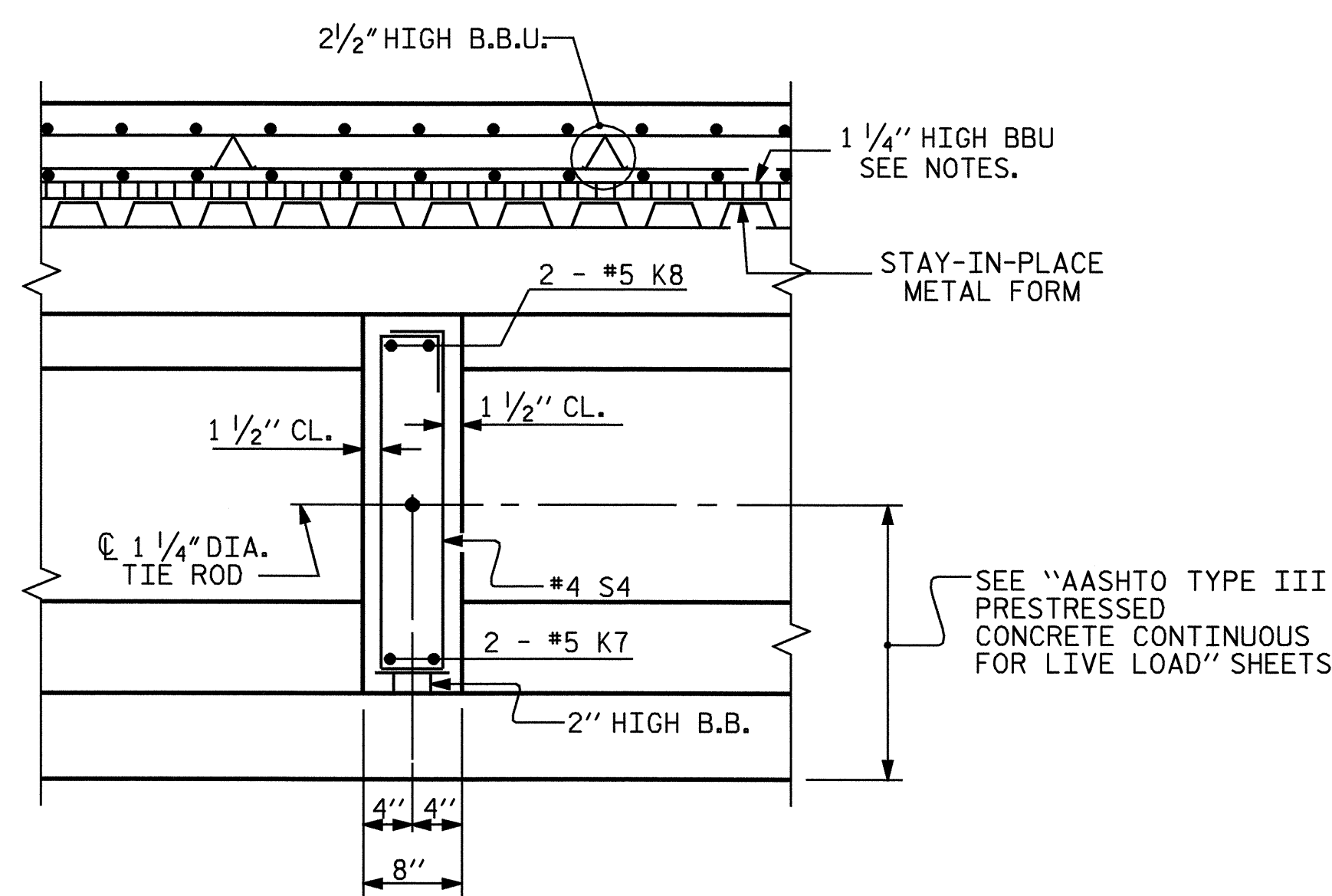
SECTION THROUGH END BENT No. 1



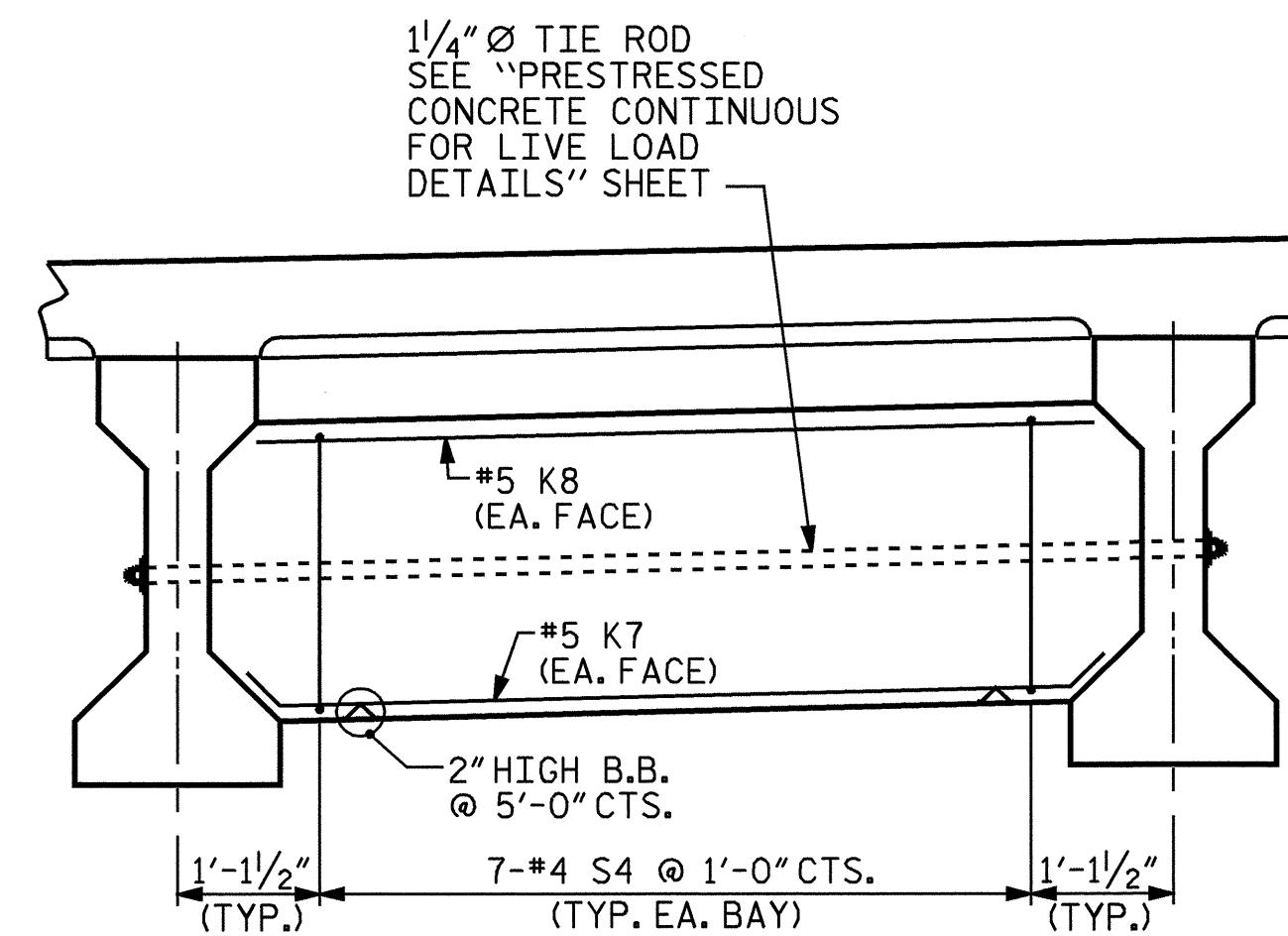
SECTION THROUGH BENTS



SECTION THROUGH END BENT No. 2



SECTION THROUGH INTERMEDIATE DIAPHRAGM
(TYPICAL SPANS A & B)

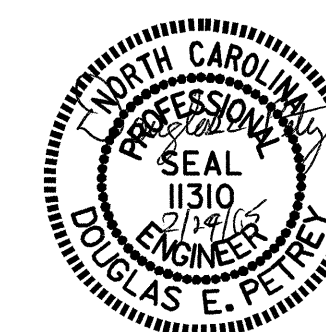


INTERMEDIATE DIAPHRAGM
(TYP. SPANS A & B)

PROJECT NO. B-3922
WATAUGA COUNTY
 STATION: 11+06.50 -L-

SHEET 2 OF 3

STATE OF NORTH CAROLINA
 DEPARTMENT OF TRANSPORTATION
 RALEIGH
 SUPERSTRUCTURE
 TYPICAL SECTIONS



DRAWN BY : A.R.CHESSON DATE : 6-04
 CHECKED BY : B.N.GRADY DATE : 9-04

24-FEB-2005 10:26
 W:\squadw\3922\achesson\mlorostation\3922.sd_ts_01.dgn
 achesson

REVISIONS						SHEET NO.
NO.	BY:	DATE:	NO.	BY:	DATE:	S-5
1			3			TOTAL SHEETS
2			4			41

NC006