

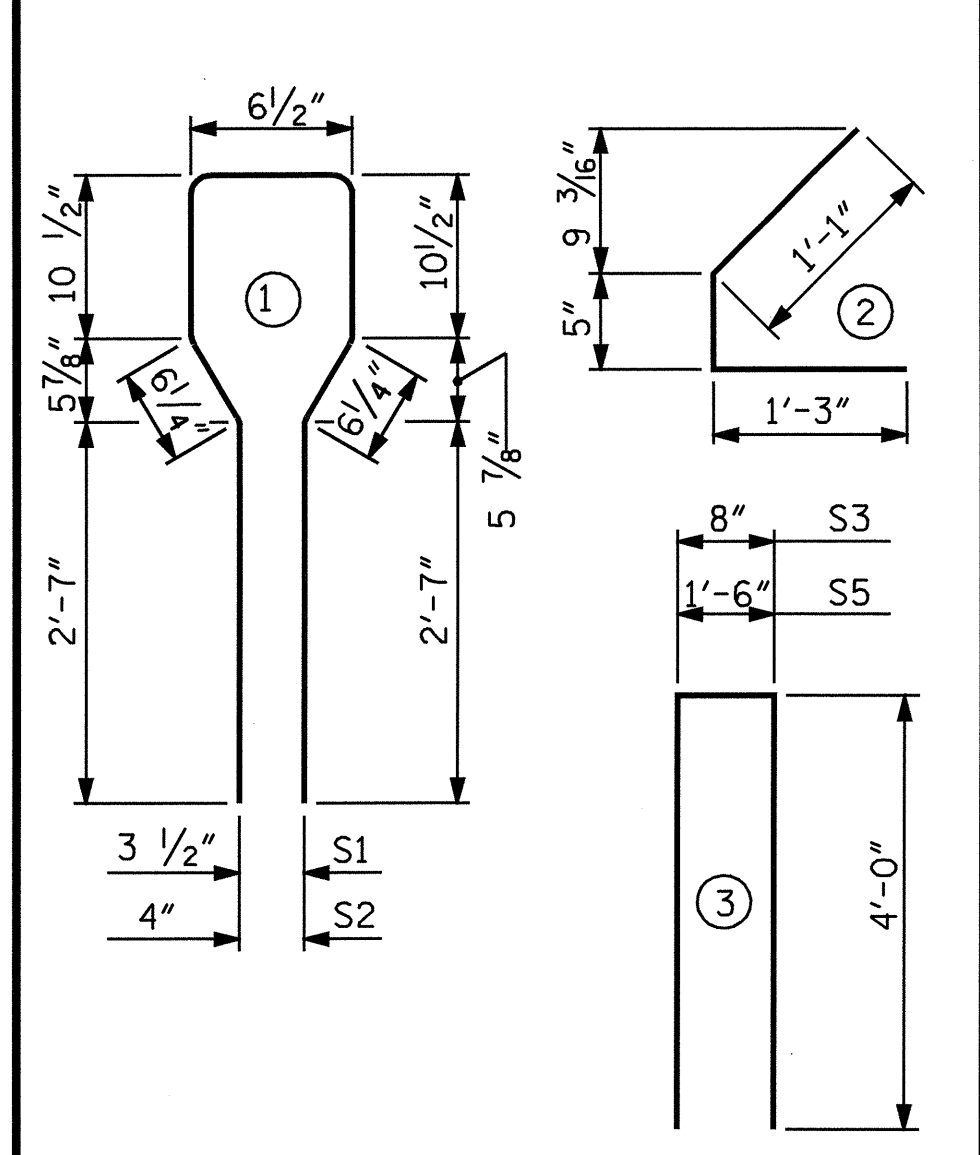
DIAPHRAGM LOCATION	
GIRDER	DIMENSION A
A1	1'-9"
A2	1'-7"
A3	1'-6"
A4	1'-8"

1/2" Ø L. R. GRADE 270 STRANDS		
AREA (SQUARE INCHES)	ULTIMATE STRENGTH (LBS. PER STRAND)	APPLIED PRESTRESS (LBS. PER STRAND)
0.153	41,300	30,980

REINFORCING STEEL FOR ONE GIRDER					
BAR	NUMBER	SIZE	TYPE	LENGTH	WEIGHT
S1	40	#4	1	8'-6"	227
S2	12	#6	1	8'-6"	153
S3	4	#4	3	8'-8"	23
S4	60	#4	2	2'-9"	110
S5	1	#4	3	9'-6"	16
* S6	4	#5	STR	3'-8"	15

* NOTE: S6 BARS SHALL BE BENT BEFORE SHIPMENT. HEAT BENDING SHALL NOT BE ALLOWED.

BAR TYPES
ALL BAR DIMENSIONS ARE OUT-TO-OUT



QUANTITIES FOR ONE GIRDER		
REINFORCING STEEL	5000 PSI CONCRETE	1/2" Ø L.R. STRANDS
LB.	C.Y.	No.
534	6.9	14

GIRDERS REQUIRED		
NUMBER	LENGTH	TOTAL LENGTH
A1 - A4	48'-3"	193.00'

PROJECT NO. B-3922
WATAUGA COUNTY
STATION: 11+06.50 -L-

STATE OF NORTH CAROLINA
DEPARTMENT OF TRANSPORTATION
RALEIGH
AASHTO TYPE III
PRESTRESSED CONCRETE GIRDER
CONTINUOUS FOR LIVE LOAD
SPAN A



ASSEMBLED BY : A.R.CHESSON	DATE : 7-04	CADD STANDARD
CHECKED BY : B.N.GRADY	DATE : 9-04	
DRAWN BY : RB	2/97	REV. 8/16/99 ARB/LES
CHECKED BY : VP	2/97	

REVISIONS						SHEET NO.	
NO.	BY:	DATE:	NO.	BY:	DATE:	S-11	
1			3			TOTAL SHEETS 41	
2			4				