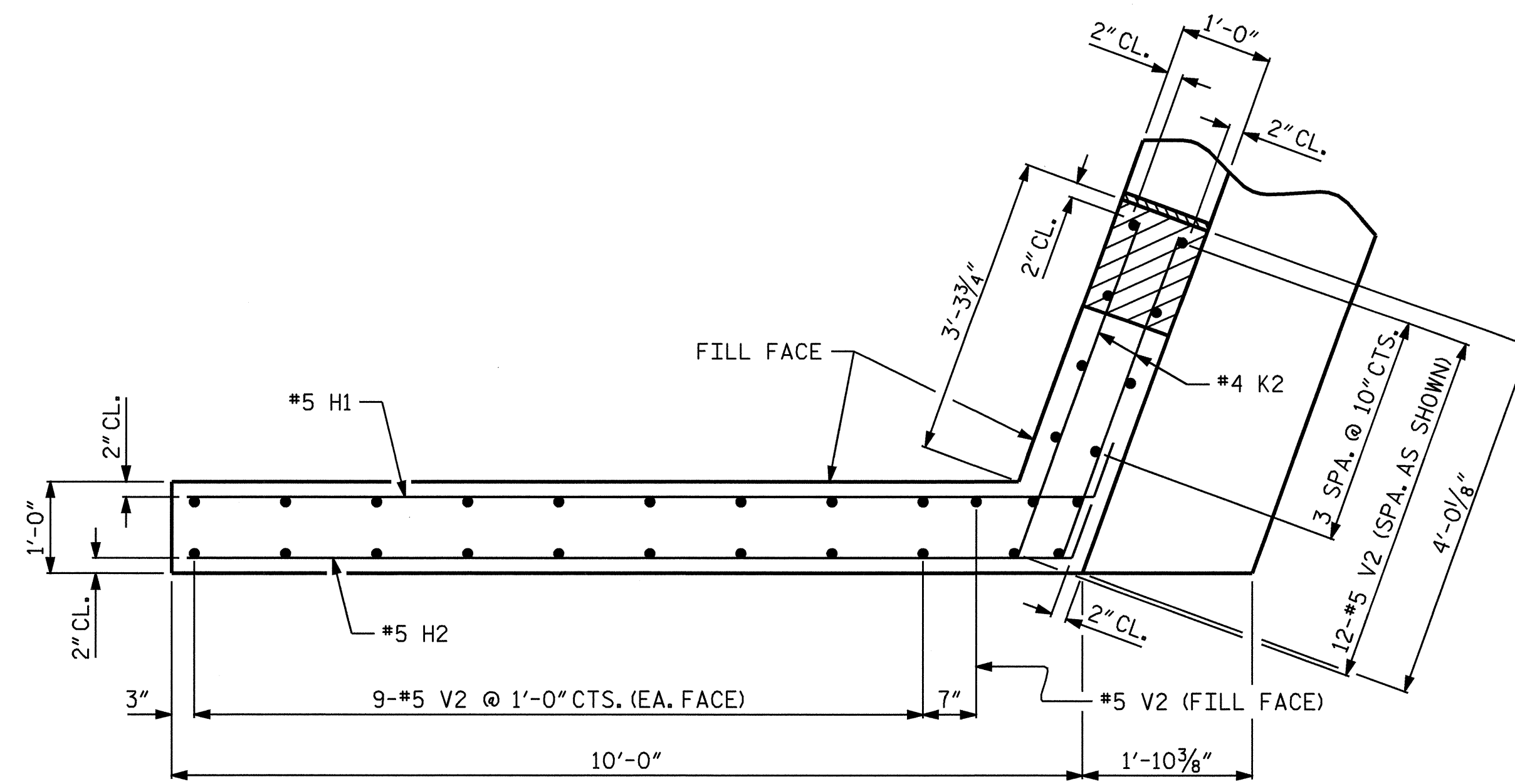
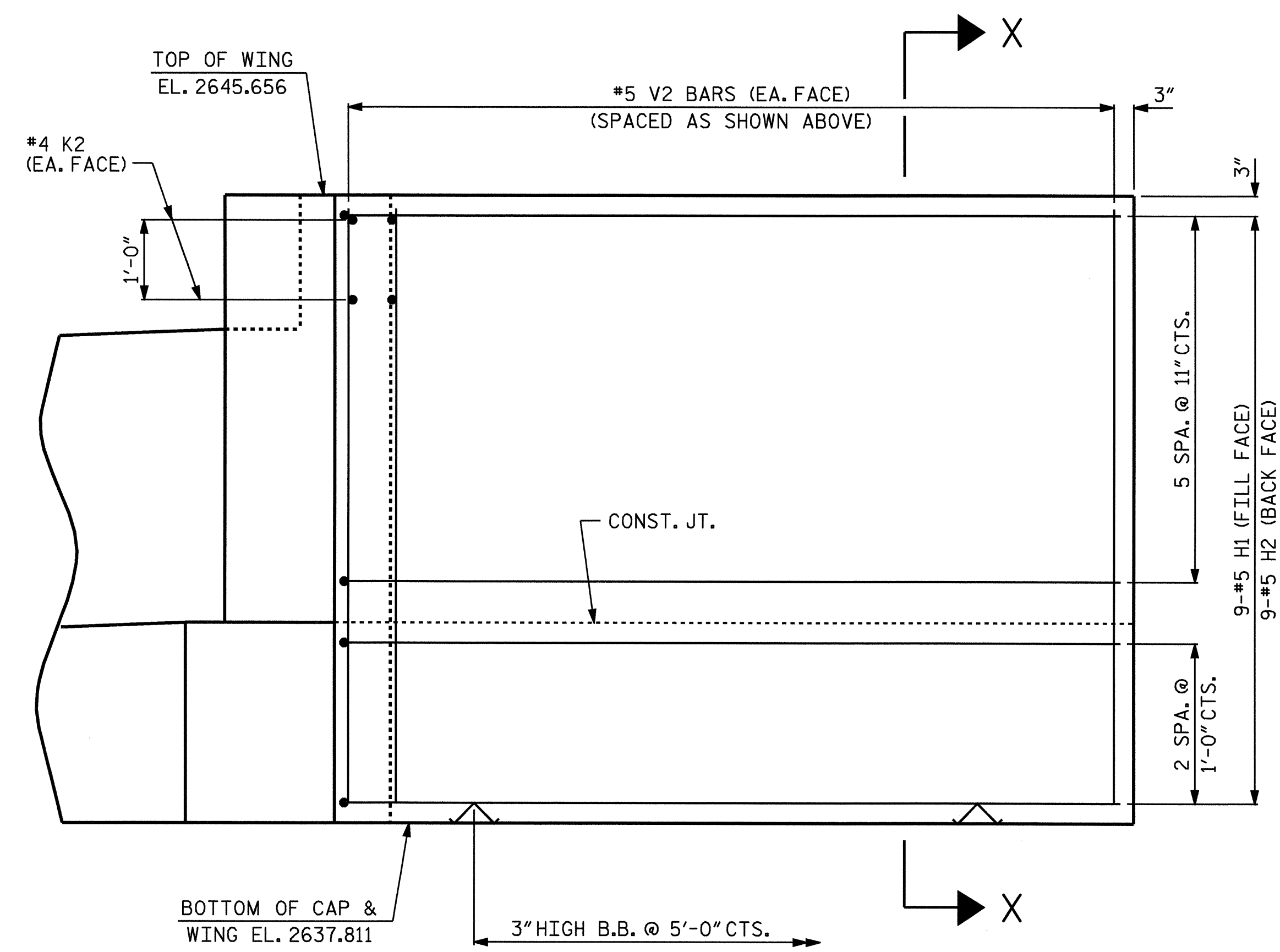


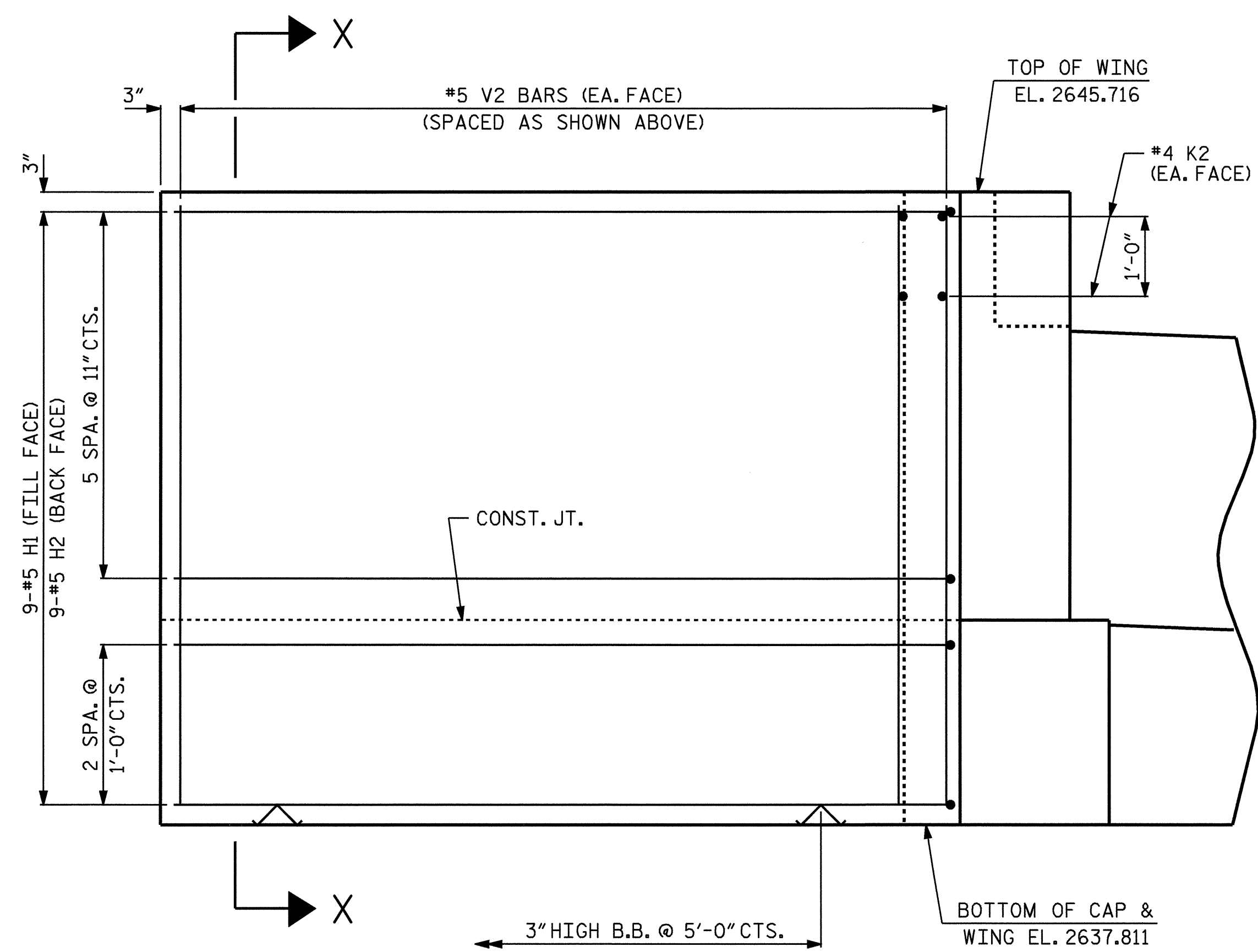
PLAN OF WING (W1)



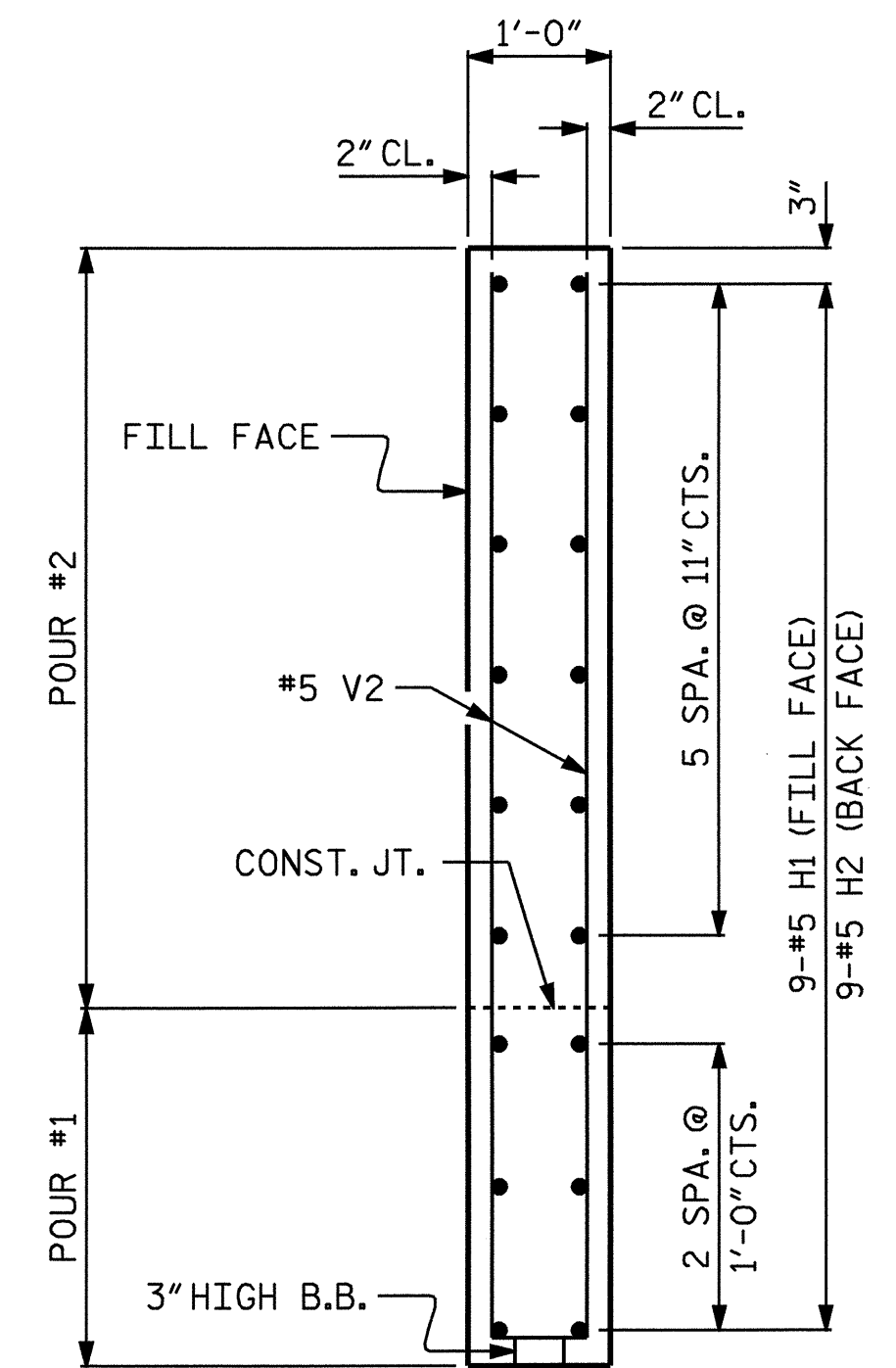
PLAN OF WING (W2)



ELEVATION OF WING (W1)



ELEVATION OF WING (W2)



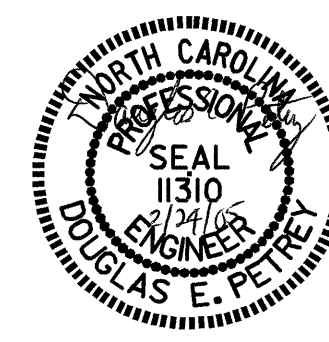
SECTION X-X

PROJECT NO. B-3922  
WATAUGA COUNTY  
 STATION: 11+06.50 -L-

SHEET 2 OF 3

STATE OF NORTH CAROLINA  
 DEPARTMENT OF TRANSPORTATION  
 RALEIGH

SUBSTRUCTURE  
 END BENT No. 1



DRAWN BY : P.C. BREWER DATE : 2/17/05  
 CHECKED BY : D.E. PETREY DATE : 2/18/05

24-FEB-2005 11:19  
 W:\squadw\B3922\pbrewer\Microstation\B3922.sd.EB1\_01.dgn  
 achesson

REVISIONS						SHEET NO.	
NO.	BY:	DATE:	NO.	BY:	DATE:	S-23	
1			3			TOTAL SHEETS	
2			4			41	