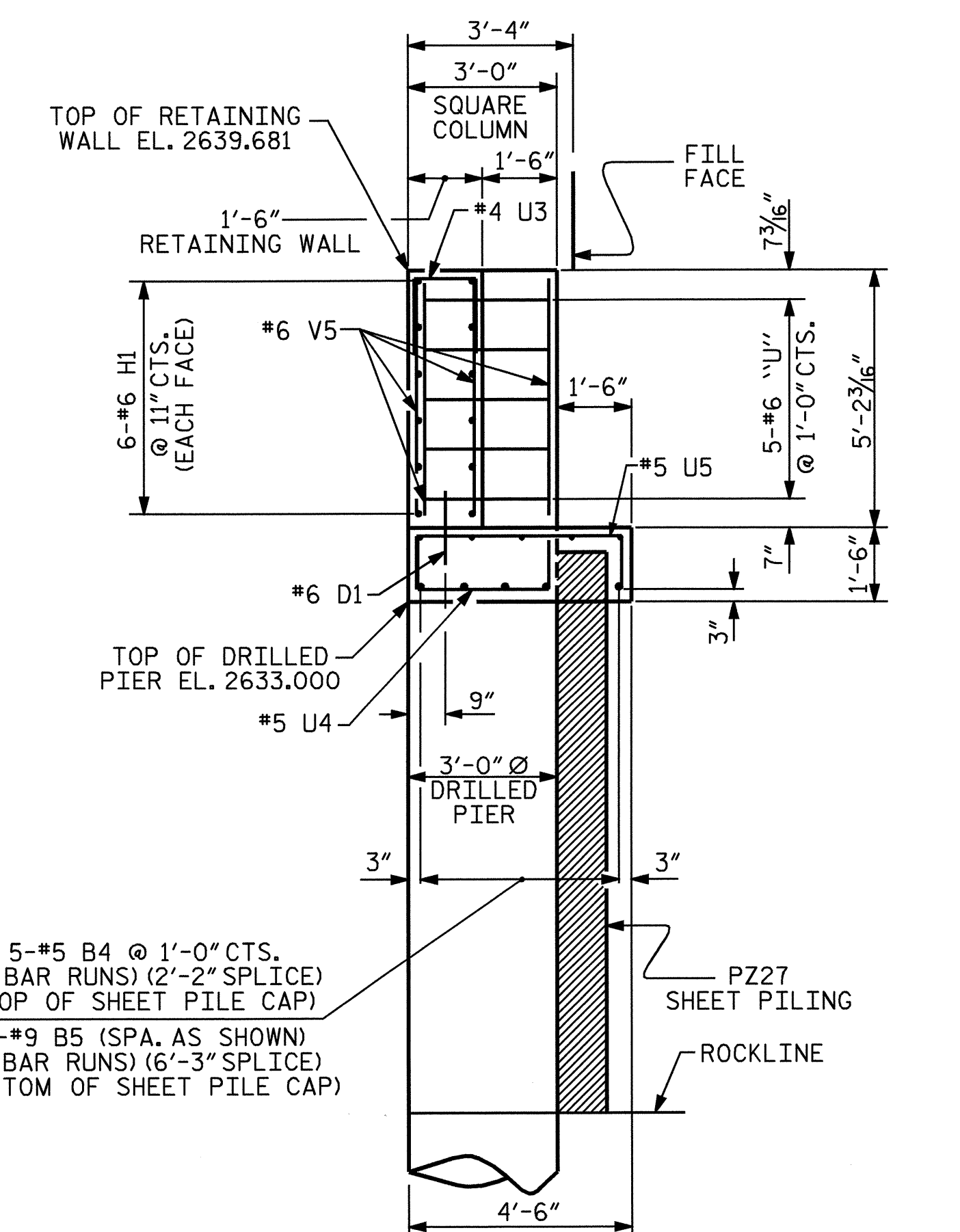
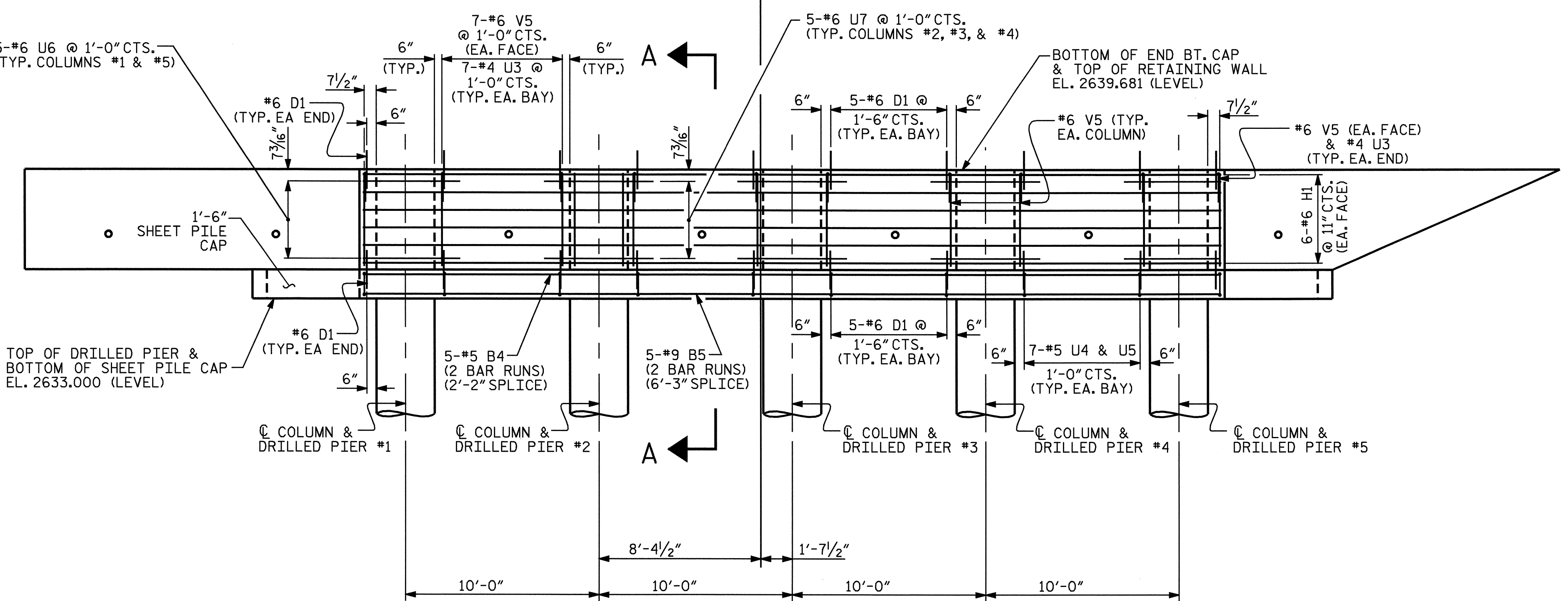


PLAN OF SQUARE COLUMN



SECTION A-A



ELEVATION

COLUMNS & DRILLED PIERS IN WINGS NOT SHOWN FOR CLARITY

RETAINING WALL & SHEET PILE CAP DETAILS

PROJECT NO. B-3922  
WATAUGA COUNTY  
 STATION: 11+06.50 -L-

SHEET 2 OF 6

STATE OF NORTH CAROLINA DEPARTMENT OF TRANSPORTATION RALEIGH					
SUBSTRUCTURE END BENT No.2					
REVISIONS					
NO.	BY:	DATE:	NO.	BY:	DATE:
1			3		
2			4		
SHEET NO. S-30					TOTAL SHEETS 41



DRAWN BY: A. V. ROYAL DATE: 2/05  
 CHECKED BY: M. BRITT DATE: 2/15/05

24-FEB-2005 14:21  
 H:\squadw\b3922\aroyal\Microstation\B-3922.sd.E\*2.01.dgn  
 aroyal