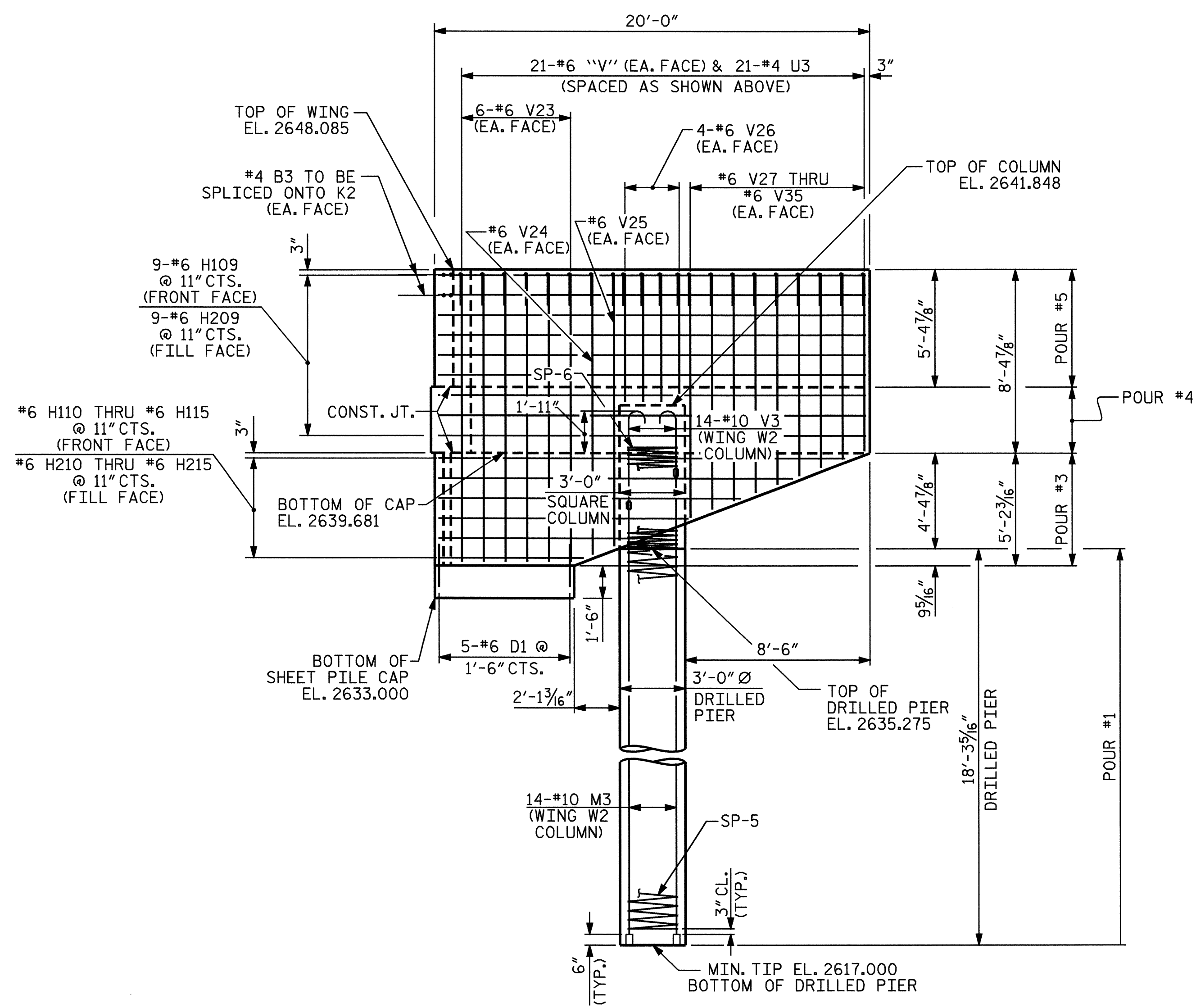
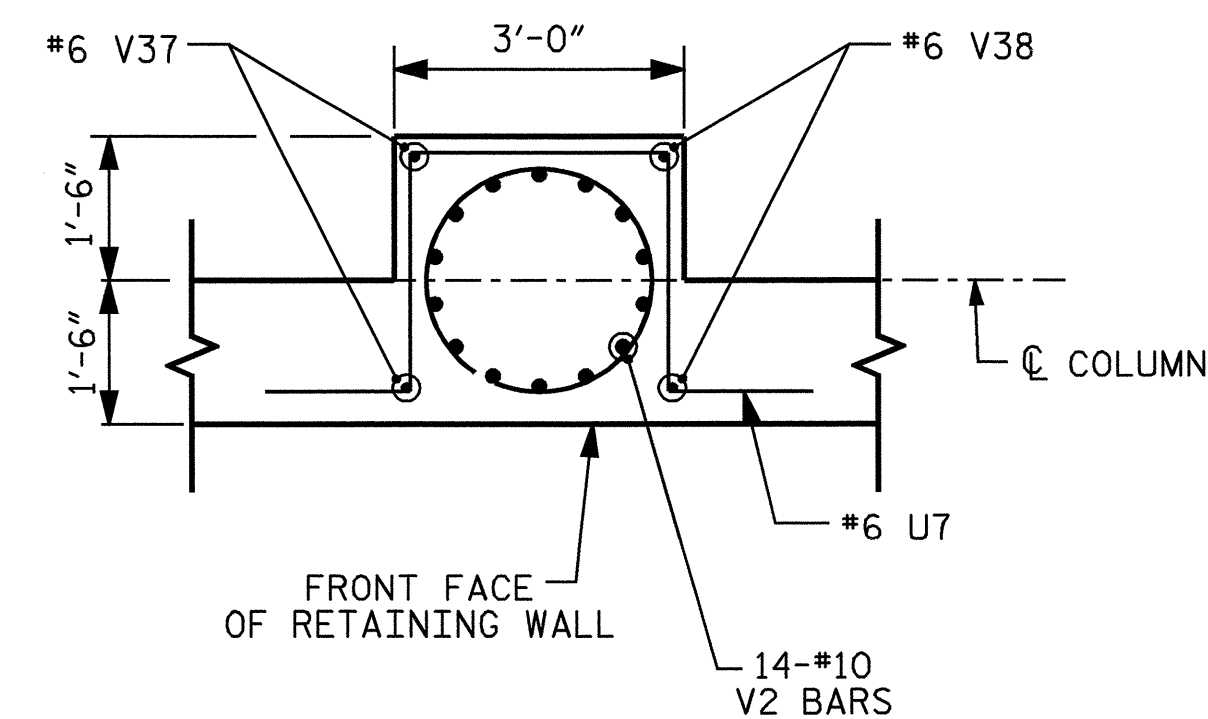


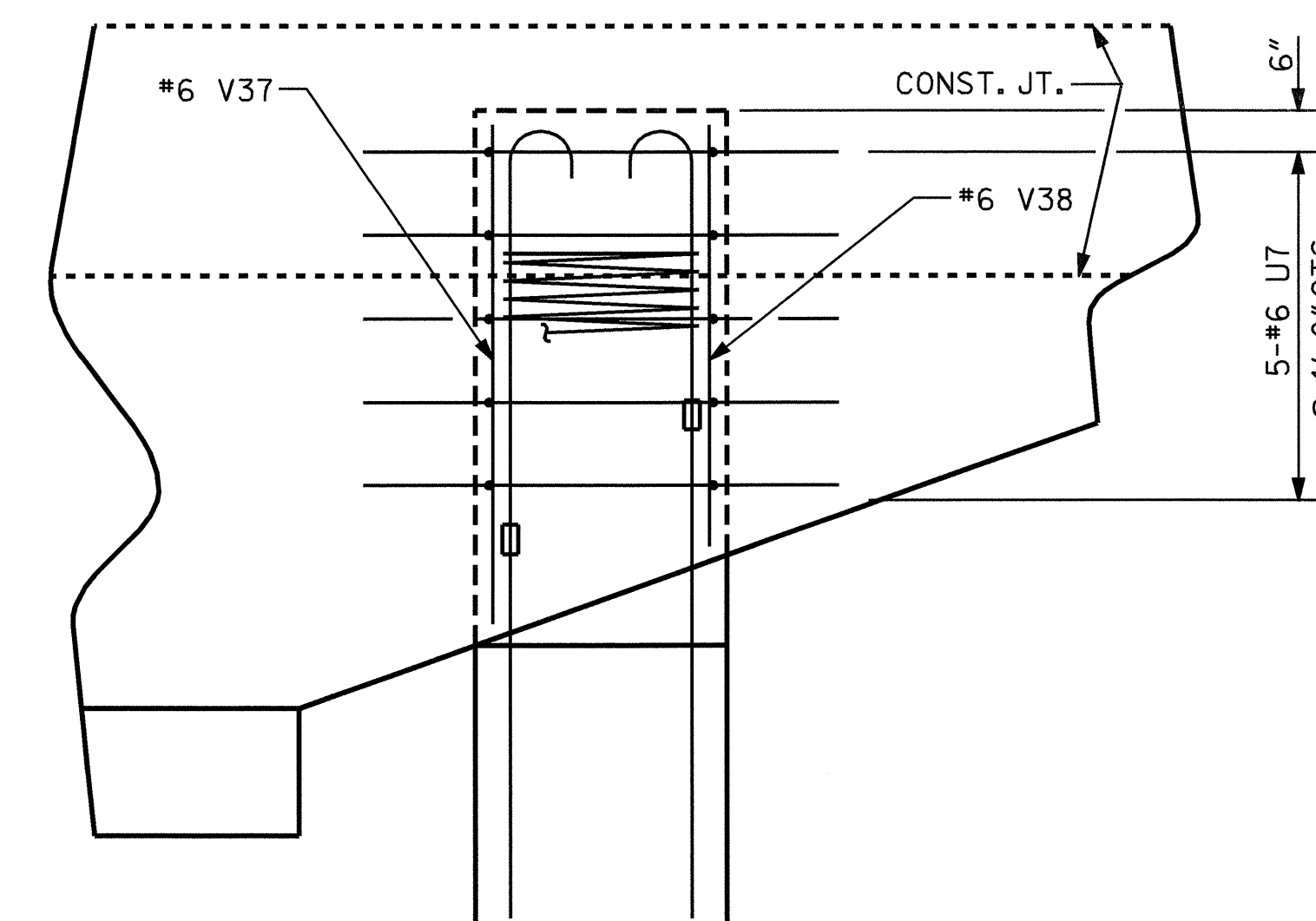
PLAN - WING WALL (W2)



ELEVATION - WING WALL (W2)



PLAN - SQUARE COLUMN (W2)



ELEVATION - SQUARE COLUMN (W2)

PROJECT NO. B-3922  
WATAUGA COUNTY  
 STATION: 11+06.50 -L-  
 SHEET 4 OF 6

STATE OF NORTH CAROLINA  
 DEPARTMENT OF TRANSPORTATION  
 RALEIGH

SUBSTRUCTURE  
 END BENT No.2



REVISIONS						SHEET NO.
NO.	BY:	DATE:	NO.	BY:	DATE:	S-32
1			3			TOTAL SHEETS
2			4			41

DRAWN BY: A. V. ROYAL DATE: 2/05  
 CHECKED BY: M. BRITT DATE: 2/18/05

07-MAR-2005 08:14  
 W:\squadw\B3922\aroyal\Microstation\B-3922.sd.E\*2.01.dgn  
 mbr111