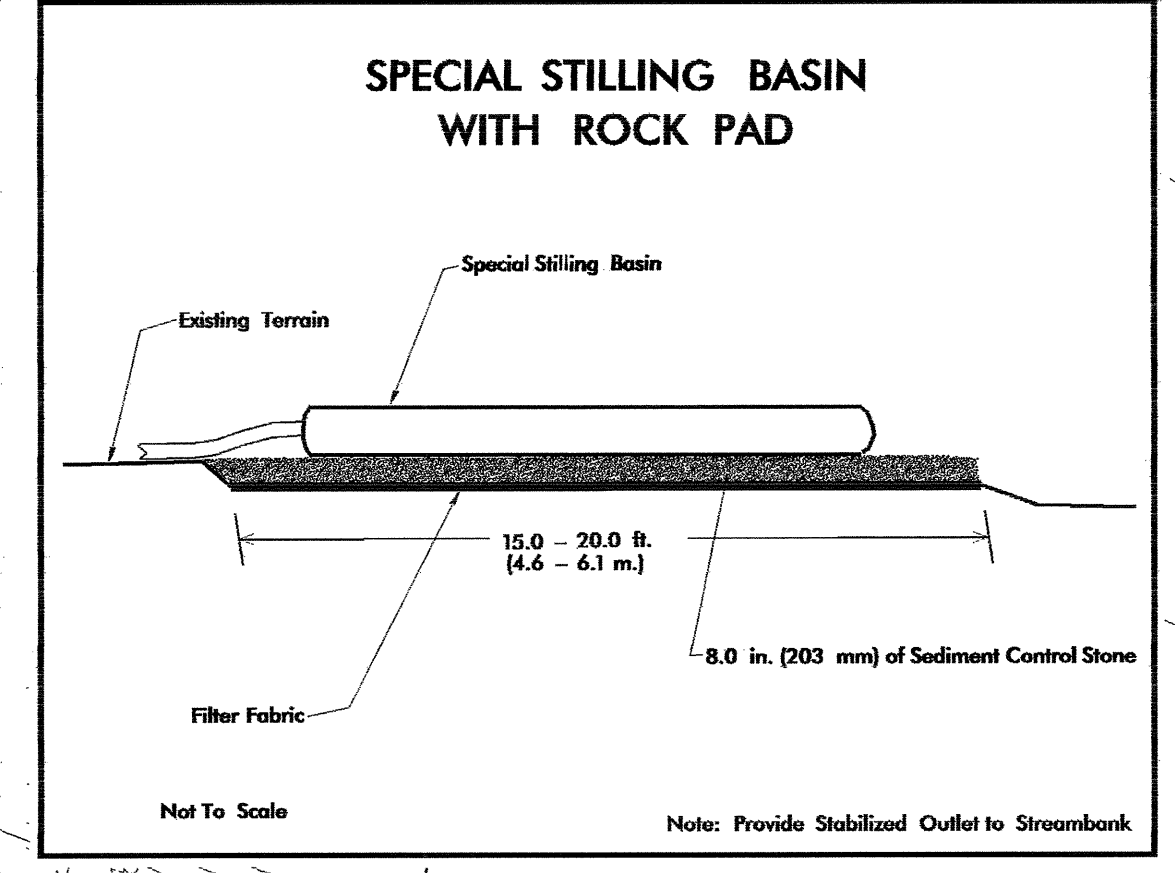


3/30/04

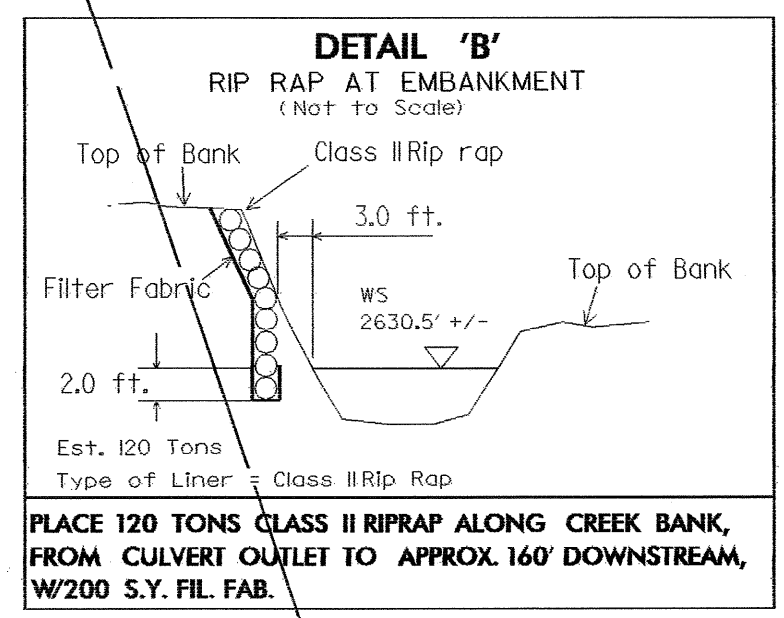
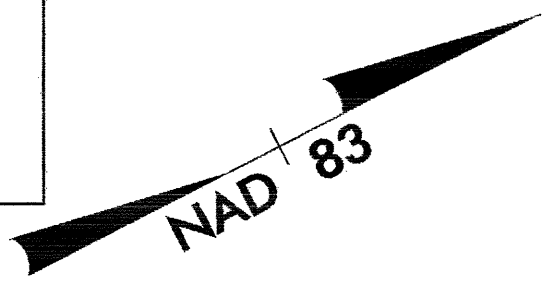
NOTE: UTILIZE SPECIAL STILLING BASIN AS STILLING BASIN WHERE APPLICABLE.

NOTE: PLACE TEMPORARY ROCK SEDIMENT DAMS TYPE-B AND TEMPORARY ROCK SILT CHECKS TYPE-A AT DRAINAGE OUTLETS.

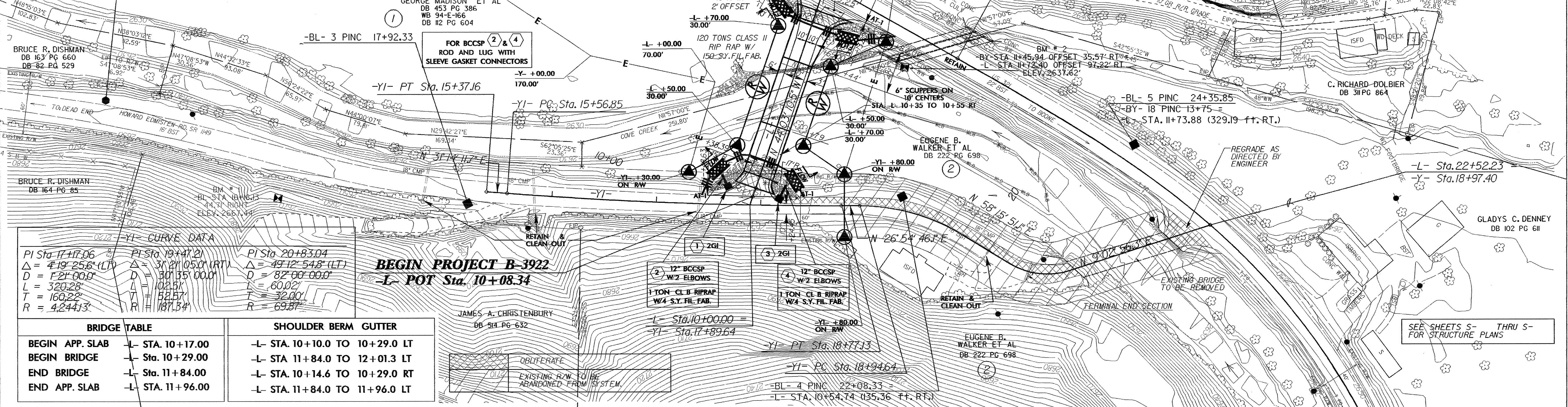


ENVIRONMENTAL COMMITMENTS

The North Carolina Wildlife Resources Commission (WRC) has prohibited any instream work and land disturbance activities within 25 feet (7.6 meters) of Cove Creek associated with this project during brown trout spawning season of October 15 through April 15.



PROJECT REFERENCE NO. B-3922	SHEET NO. EC-3/CONST.4
ROADWAY DESIGN ENGINEER	HYDRAULICS ENGINEER



YI - CURVE DATA

PI Sta. 17+17.06 Δ = 41° 25' 58" (LT) D = 721.00' L = 320.28' T = 160.22' R = 4.24413'	PI Sta. 19+47.21 Δ = 31° 21' 05.0" (RT) D = 501.55' L = 102.51' T = 52.57' R = 187.54'	PI Sta. 20+83.04 Δ = 49° 12' 54.8" (LT) D = 82.00' L = 60.02' T = 32.00' R = 69.87'
---	---	--

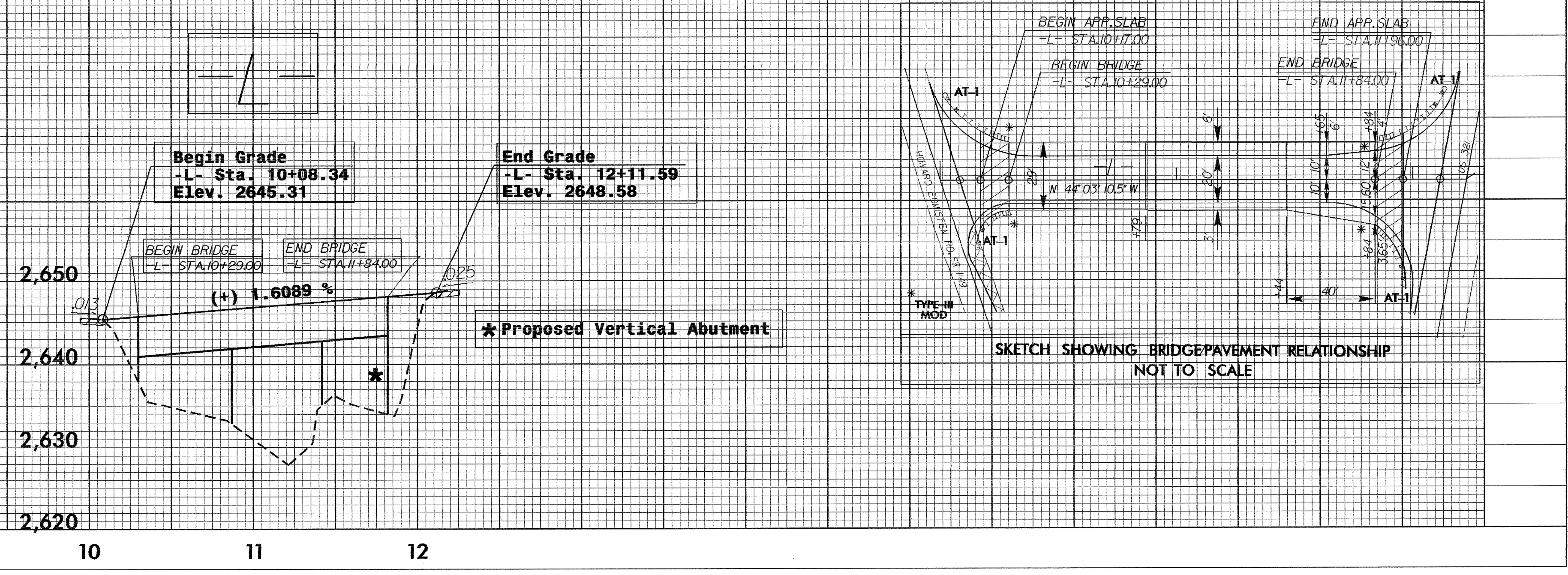
BRIDGE TABLE		SHOULDER BERM GUTTER	
BEGIN APP. SLAB	-L- STA. 10+17.00	-L- STA. 10+10.0 TO 10+29.0 LT	
BEGIN BRIDGE	-L- Sta. 10+29.00	-L- STA 11+84.0 TO 12+01.3 LT	
END BRIDGE	-L- Sta. 11+84.00	-L- STA. 10+14.6 TO 10+29.0 RT	
END APP. SLAB	-L- STA. 11+96.00	-L- STA. 11+84.0 TO 11+96.0 LT	

BRIDGE DATA
BRIDGE #316
OVER COVE CREEK

DESIGN Q =	4.600 cfs
DESIGN FREQ =	25 yr
DESIGN EL =	2639.8 ft
BASE FLOOD Q =	6.900 cfs
BASE FLOOD FREQ =	100 yr
BASE FLOOD EL =	2643.1 ft
OT Q =	15.300 cfs
OT FREQ =	> 500 yr
OT EL =	2645.3 ft

DATUM DESCRIPTION

THE LOCALIZED COORDINATE SYSTEM DEVELOPED FOR THIS PROJECT IS BASED ON THE STATE PLANE COORDINATES ESTABLISHED BY NAD 83 FOR MONUMENT "B3922-1" WITH NAD 83 STATE PLANE GRID COORDINATES OF NORTHING: 9211063763111 EASTING: 1169382291111. THE AVERAGE COMBINED GRID FACTOR USED ON THIS PROJECT (ROUND TO GRID) IS: 0.99990241. THE N.C. LAMBERT GRID BEARING AND LOCALIZED HORIZONTAL GROUND DISTANCE FROM "B-3922-1" TO "L-10+0000-15" IS: 14°38'04" E 197.82'. ALL LINEAR DIMENSIONS ARE LOCALIZED HORIZONTAL DISTANCES. VERTICAL DATUM USED IS: MVD 29.



06-JEN-2003 15:04
 D:\V\J\p\3922\Roadway\Project\B3922.RDY_PSH_04.DGN
 3/30/04