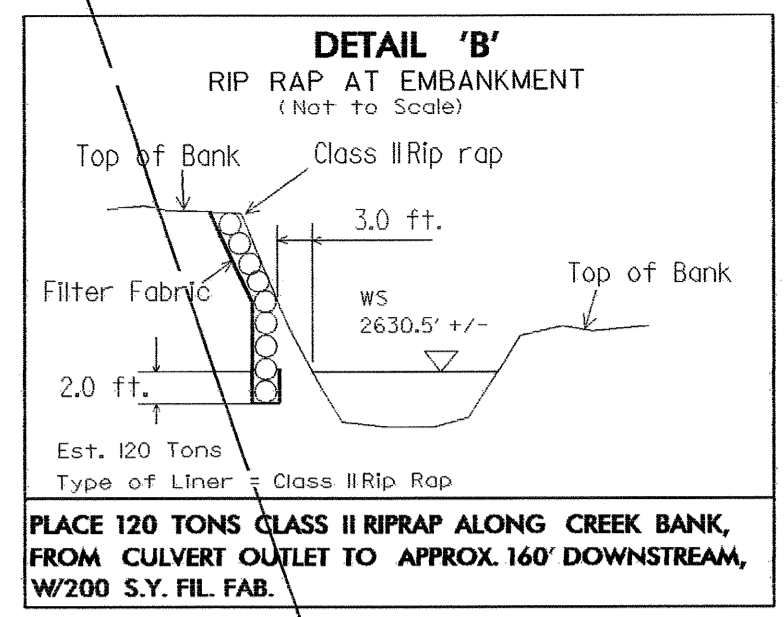


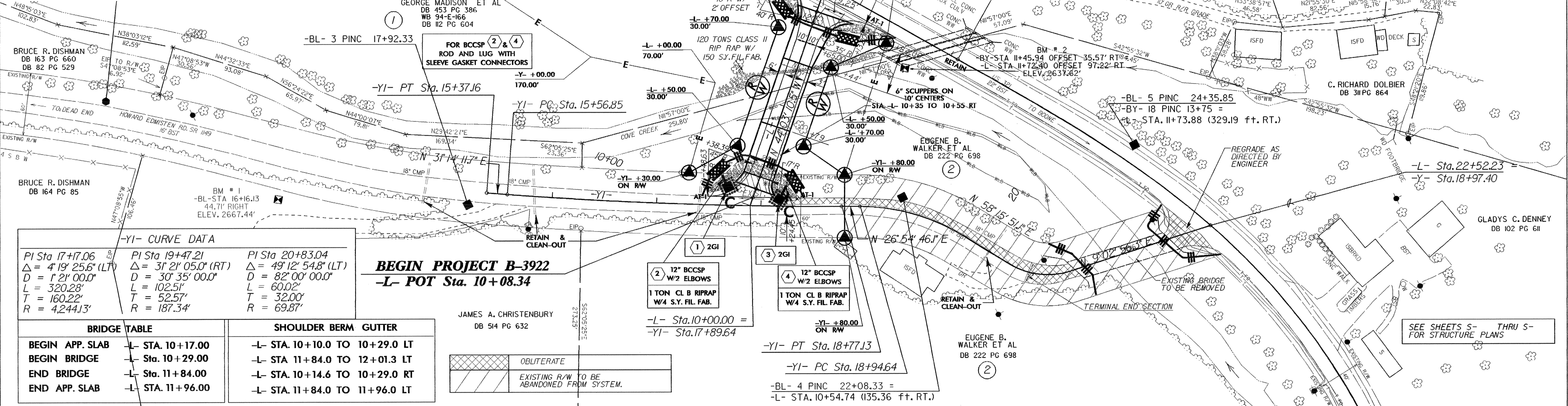
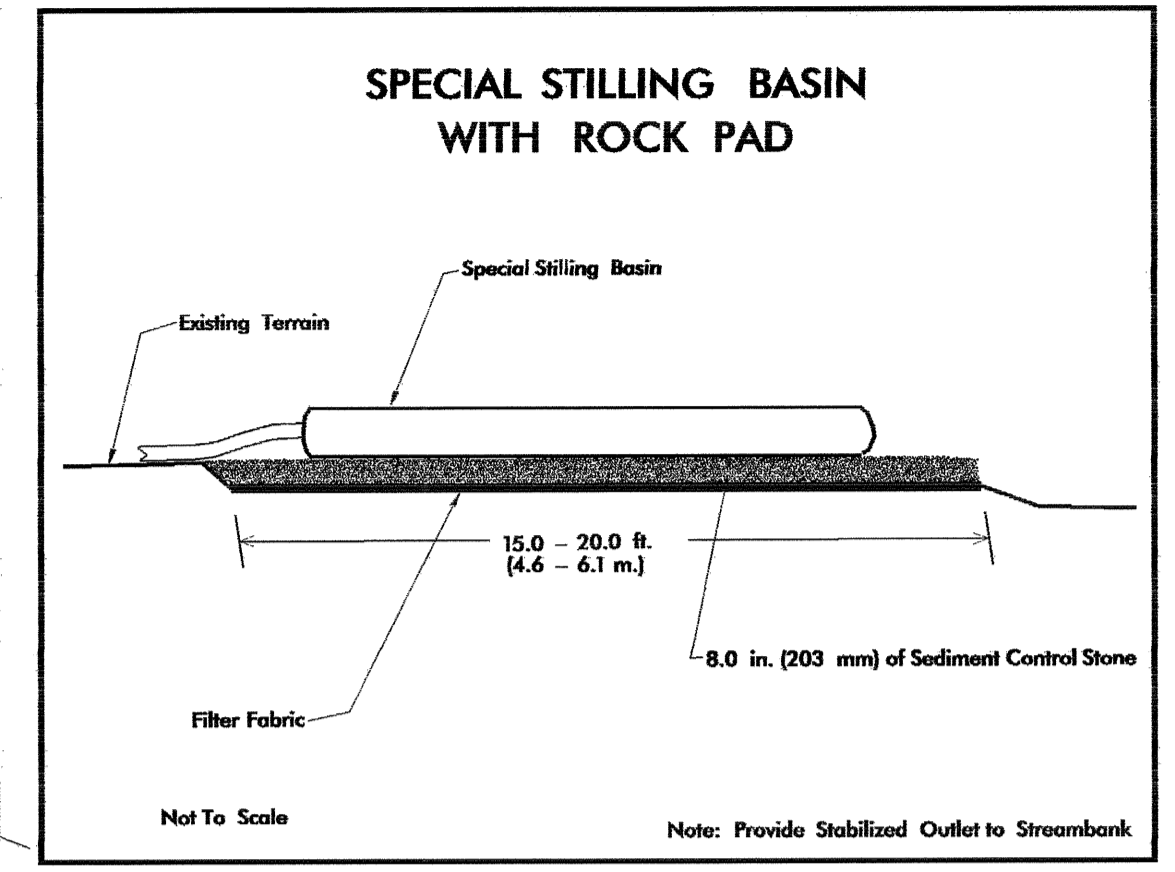
3/30/04

NOTE: UTILIZE SPECIAL STILLING BASIN AS STILLING BASIN WHERE APPLICABLE.

**ENVIRONMENTAL COMMITMENTS**  
The North Carolina Wildlife Resources Commission (WRC) has prohibited any instream work and land disturbance activities within 25 feet (7.6 meters) of Cove Creek associated with this project during brown trout spawning season of October 15 through April 15.



PROJECT REFERENCE NO. B-3922	SHEET NO. EC-4/CONST. 4
ROADWAY DESIGN ENGINEER	HYDRAULICS ENGINEER



**-YI- CURVE DATA**

PI Sta 17+47.06 Δ = 4° 19' 25.6" (LT) D = 1° 21' 00.0" L = 320.28' T = 160.22' R = 4,244.13'	PI Sta 19+47.21 Δ = 31° 21' 05.0" (RT) D = 30° 35' 00.0" L = 102.51' T = 52.57' R = 187.34'	PI Sta 20+83.04 Δ = 49° 12' 54.8" (LT) D = 82° 00' 00.0" L = 60.02' T = 32.00' R = 69.87'
---	--	--

BRIDGE TABLE	SHOULDER BERM GUTTER
BEGIN APP. SLAB -L- STA. 10+17.00	-L- STA. 10+10.0 TO 10+29.0 LT
BEGIN BRIDGE -L- STA. 10+29.00	-L- STA. 11+84.0 TO 12+01.3 LT
END BRIDGE -L- STA. 11+84.00	-L- STA. 10+14.6 TO 10+29.0 RT
END APP. SLAB -L- STA. 11+96.00	-L- STA. 11+84.0 TO 11+96.0 LT

	OBLETE
	EXISTING R/W TO BE ABANDONED FROM SYSTEM.

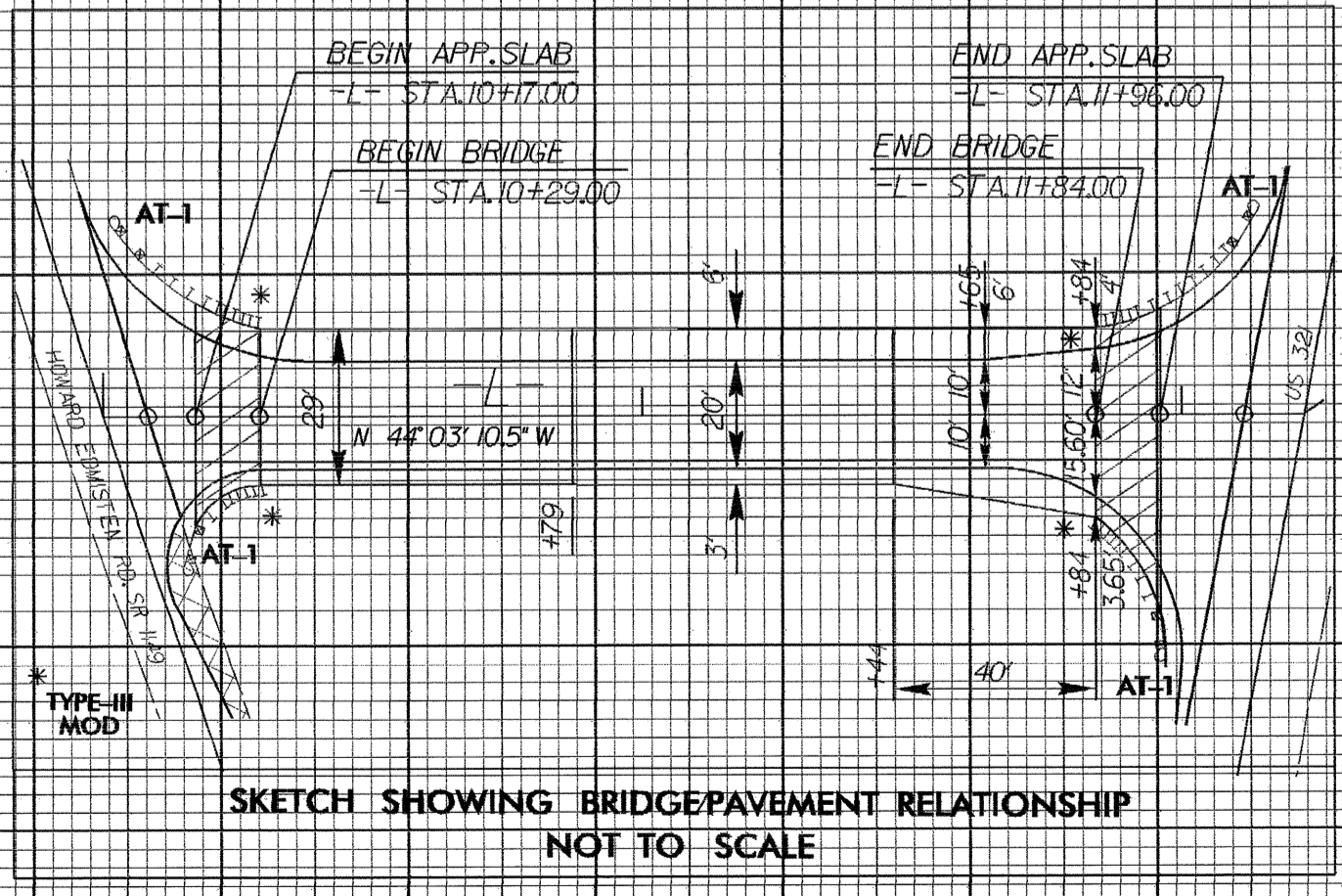
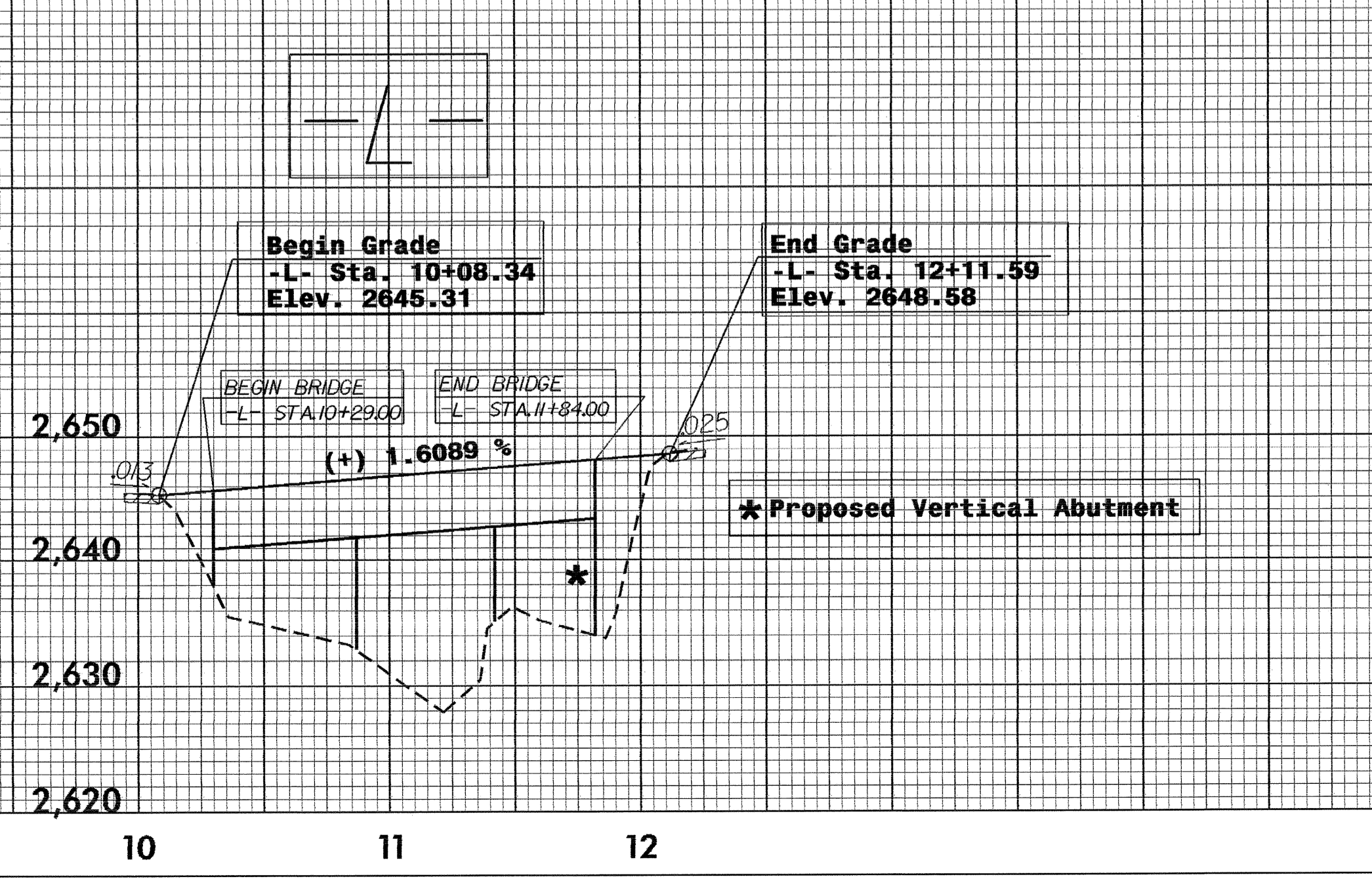
**DATUM DESCRIPTION**

THE LOCALIZED COORDINATE SYSTEM DEVELOPED FOR THIS PROJECT IS BASED ON THE STATE PLANE COORDINATES ESTABLISHED BY MDDOT FOR MONUMENT "B3322-1" WITH NAD 83 STATE PLANE GRID COORDINATES OF NORTHING: 821785763.00, EASTING: 1162382291.00. THE AVERAGE COMBINED GRID FACTOR USED ON THIS PROJECT (ROUND TO GRID) IS: 0.99990241. THE N. LAMBERT GRID BEARING AND LOCALIZED HORIZONTAL GROUND DISTANCE FROM "B3322-1" TO L-10+00.00 IS: S 14° 38' 04" E 197.92'. ALL LINEAR DIMENSIONS ARE LOCALIZED HORIZONTAL DISTANCES. VERTICAL DATUM USED IS NAVD 83.

**BRIDGE DATA**

BRIDGE #316 OVER COVE CREEK

DESIGN O =	4600 cfs
DESIGN FREQ =	25 yr
DESIGN EL =	2639.8 ft
BASE FLOOD O =	6,900 cfs
BASE FLOOD FREQ =	100 yr
BASE FLOOD EL =	2643.1 ft
OT O =	13,300 cfs
OT FREQ =	> 500 yr
OT EL =	2645.3 ft



06-JAN-2005 15:05  
DN:\REL\vip\bruce\B-3922\Recewf\Pro\_B3922\_PSH\_2.dwg  
AutoCAD