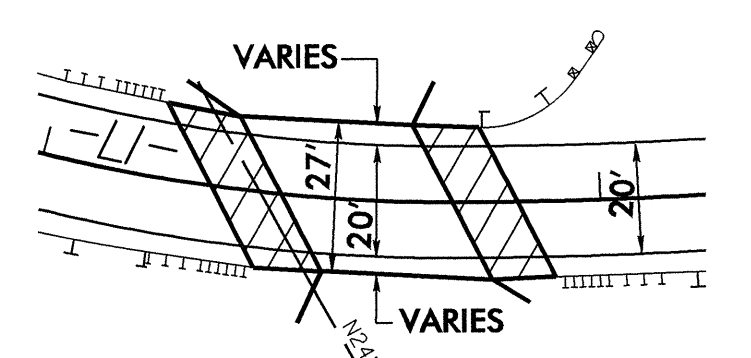
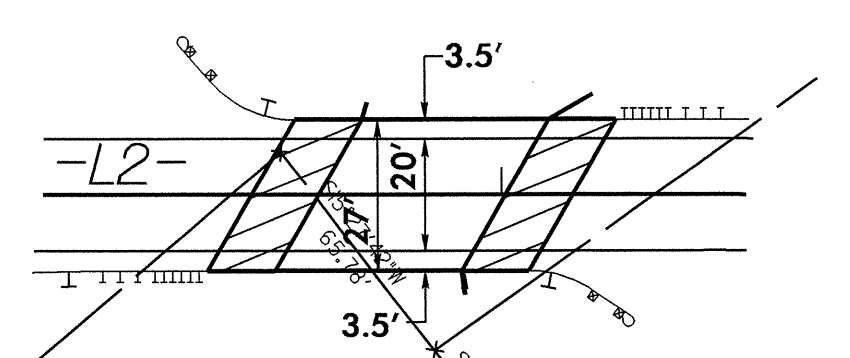


DETAIL FOR BRIDGE # 35
CORED SLAB BRIDGE & APPROACHES



DETAIL FOR BRIDGE #36
CORED SLAB BRIDGE & APPROACHES



DATUM DESCRIPTION (-L2-)
 THE LOCALIZED COORDINATE SYSTEM DEVELOPED FOR THIS PROJECT IS BASED ON THE STATE PLANE COORDINATES ESTABLISHED BY NCDOT FOR MONUMENT "GPS B3926-1" WITH NAD 83 STATE PLANE GRID COORDINATES OF NORTHING: 938351522.1111 EASTING: 121123051000.11 THE AVERAGE COMBINED GRID FACTOR USED ON THIS PROJECT (GROUND TO GRID) IS: 0.99988164 THE N.C. LAMBERT GRID BEARING AND LOCALIZED HORIZONTAL GROUND DISTANCE FROM "GPS B3926-1" TO -L2- STATION 36+04.66 IS N 27° 58' 39.0" W 2927.18 FT ALL LINEAR DIMENSIONS ARE LOCALIZED HORIZONTAL DISTANCES VERTICAL DATUM USED IS NGVD 29

UTILITIES BY OTHERS

NOTE:
ALL PROPOSED UTILITY WORK SHOWN ON THIS SHEET WILL BE DONE BY OTHERS

BEGIN TIP PROJECT B-3926
-L1- POC Sta. 21+05.00

DURING CONSTRUCTION (CRANE WORK) POWER LINE MUST BE DE-ENERGIZED.

DURING CONSTRUCTION (CRANE WORK) POWER LINE MUST BE DE-ENERGIZED.

DATUM DESCRIPTION (-L1-)
 THE LOCALIZED COORDINATE SYSTEM DEVELOPED FOR THIS PROJECT IS BASED ON THE STATE PLANE COORDINATES ESTABLISHED BY NCDOT FOR MONUMENT "GPS B3926-1" WITH NAD 83 STATE PLANE GRID COORDINATES OF NORTHING: 938351522.1111 EASTING: 121123051000.11 THE AVERAGE COMBINED GRID FACTOR USED ON THIS PROJECT (GROUND TO GRID) IS: 0.99988164 THE N.C. LAMBERT GRID BEARING AND LOCALIZED HORIZONTAL GROUND DISTANCE FROM "GPS B3926-1" TO -L1- STATION 20+25.811S IS N 35° 48' 22.0" W 2,104.90 FT ALL LINEAR DIMENSIONS ARE LOCALIZED HORIZONTAL DISTANCES VERTICAL DATUM USED IS NGVD 29

