

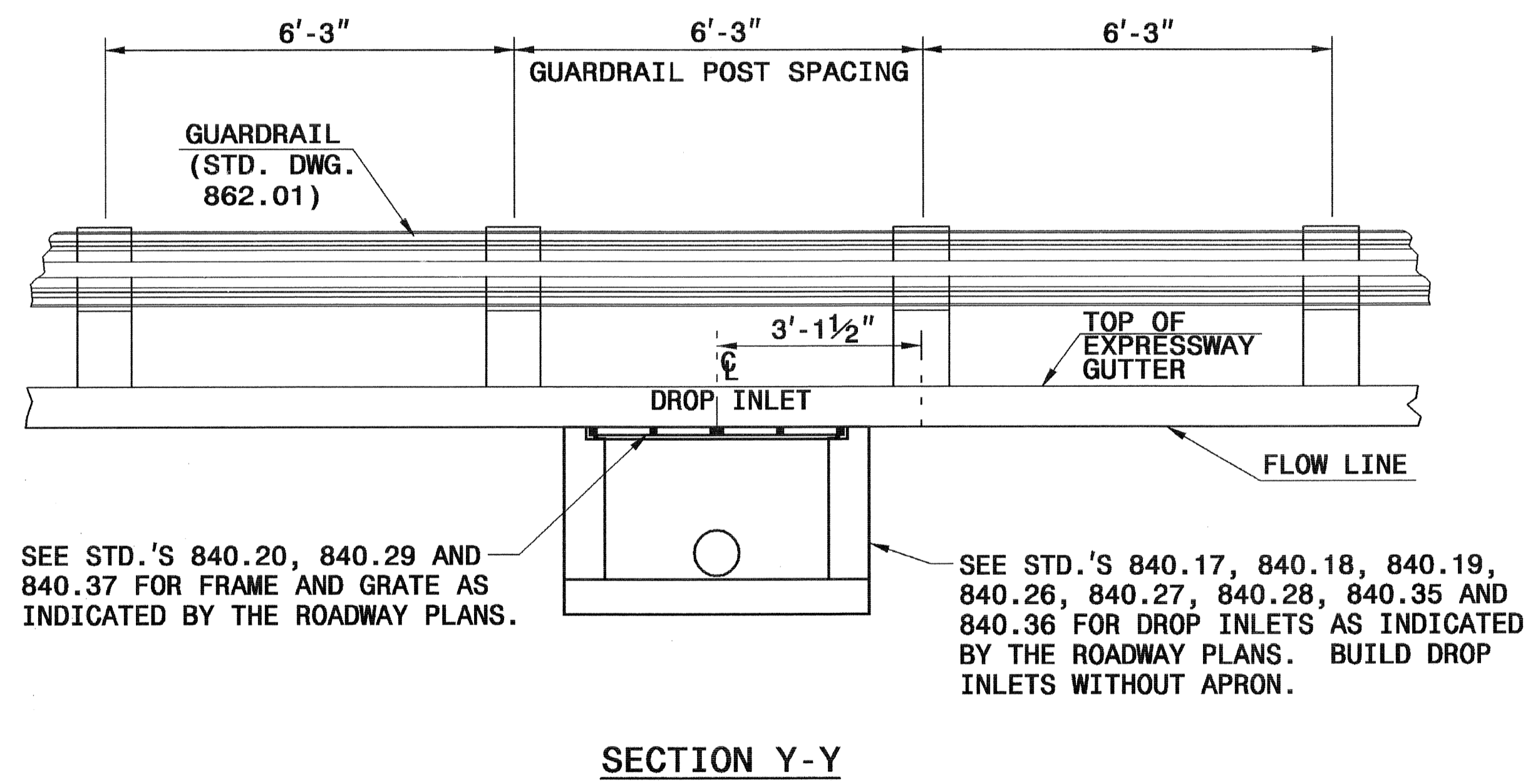
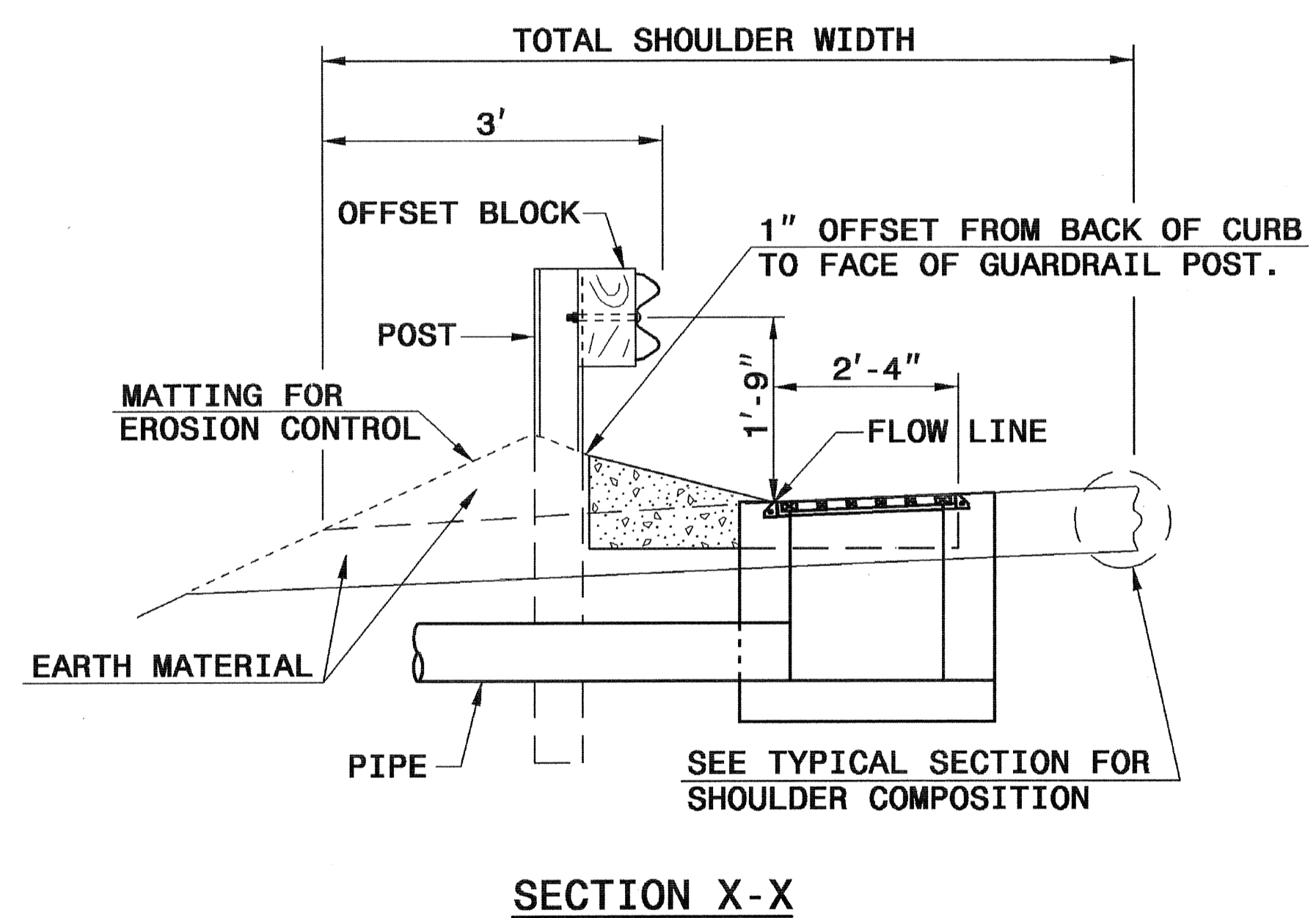
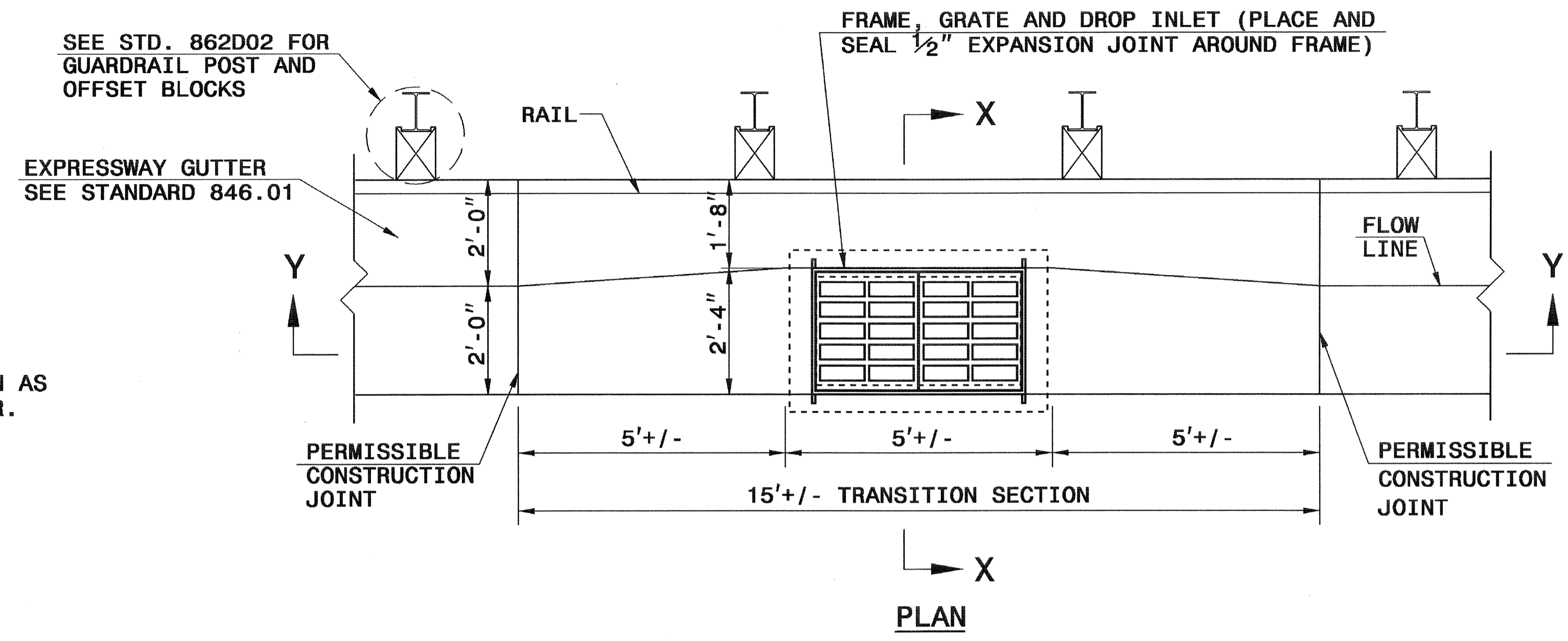
STATE OF NORTH CAROLINA  
 DEPT. OF TRANSPORTATION  
 DIVISION OF HIGHWAYS  
 RALEIGH, N.C.

STATE OF NORTH CAROLINA  
 DEPT. OF TRANSPORTATION  
 DIVISION OF HIGHWAYS  
 RALEIGH, N.C.

ENGLISH DETAIL DRAWING FOR  
**DROP INLET INSTALLATION IN EXPRESSWAY GUTTER**

ENGLISH DETAIL DRAWING FOR  
**DROP INLET INSTALLATION IN EXPRESSWAY GUTTER**

**GENERAL NOTES:**  
 -PAY FOR TRANSITION SECTION AS CONCRETE EXPRESSWAY GUTTER.  
 -GUARDRAIL OPTIONAL



**DROP INLET INSTALLATION IN EXPRESSWAY GUTTER**

SHEET 1 OF 1  
**846D02**

SHEET 1 OF 1  
**846D02**

3-APR-2004 08:36  
 W:\Special\_Details\stds\stds\02\stds to Special\_Details\english\846D02\846D02.dgn  
 prward A1 DS21266

NORTH CAROLINA  
 PROFESSIONAL  
 SEAL  
 022966  
 ENGINEER  
 JOEL S. HOWARTON  
*Joel S. Howarton*  
 12/14/04

**DESIGN SERVICES UNIT  
 STANDARDS AND SPECIAL DESIGN**  
 Office 919-250-4128 FAX 919-250-4119  
**SEE PLATE FOR TITLE**  
 ORIGINAL BY: 2002 STANDARDS DATE: 01-15-02  
 MODIFIED BY: E.E. WARD DATE: 04-07-04  
 CHECKED BY: DATE:  
 FILE SPEC.: stds/02stdstodetails/english/846d02.dgn