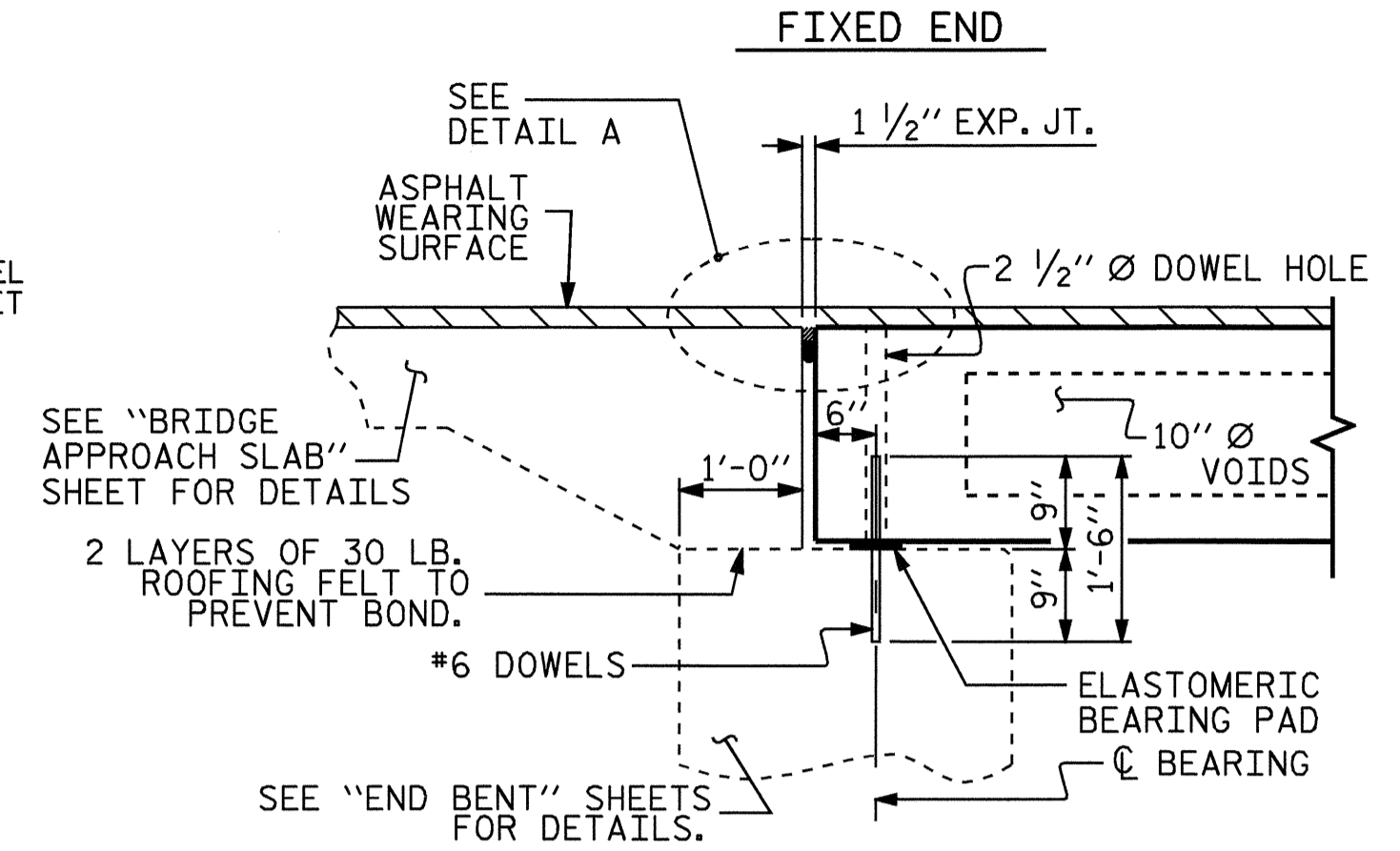
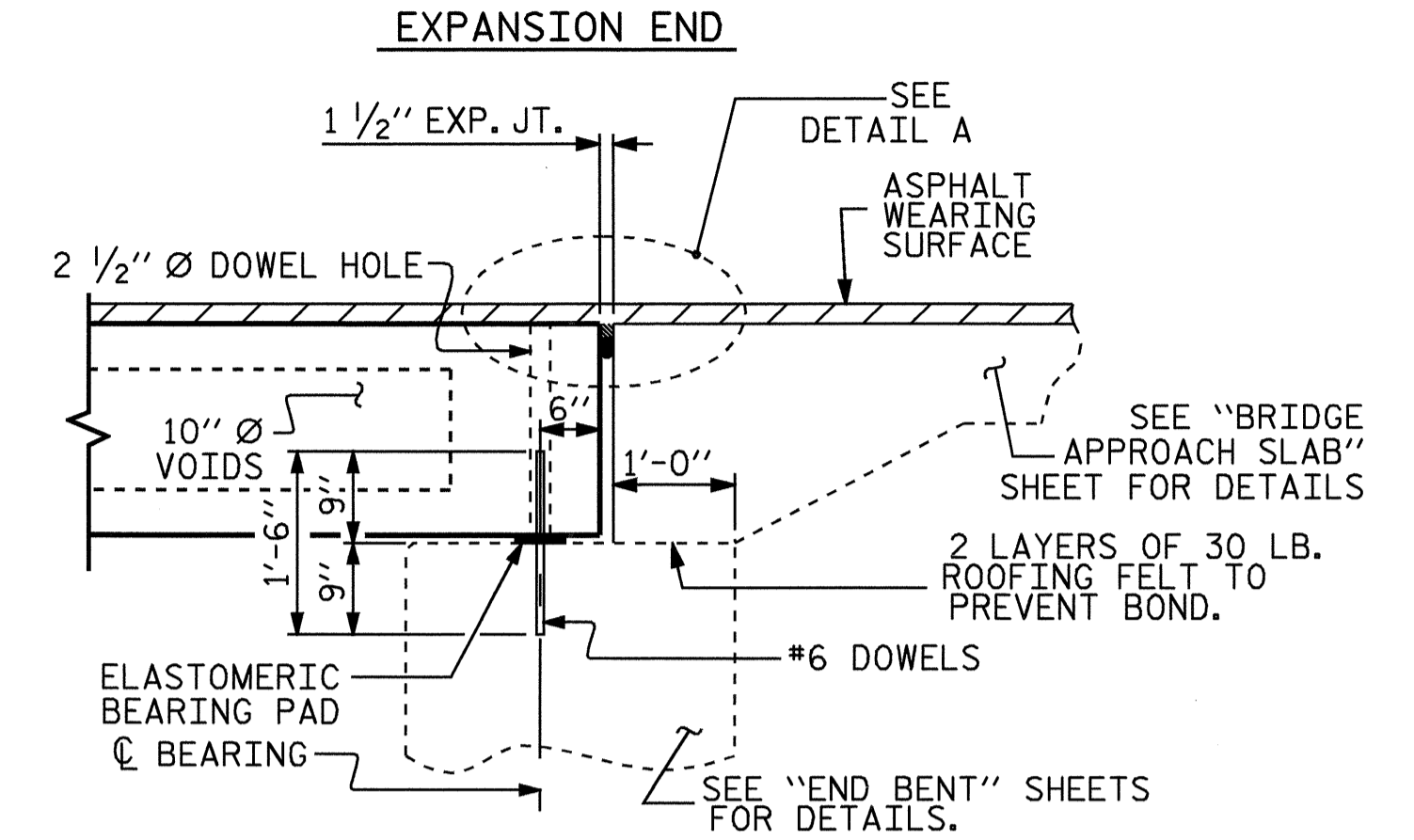


HALF SECTION AT INTERMEDIATE DIAPHRAGMS      HALF SECTION AT VOIDS

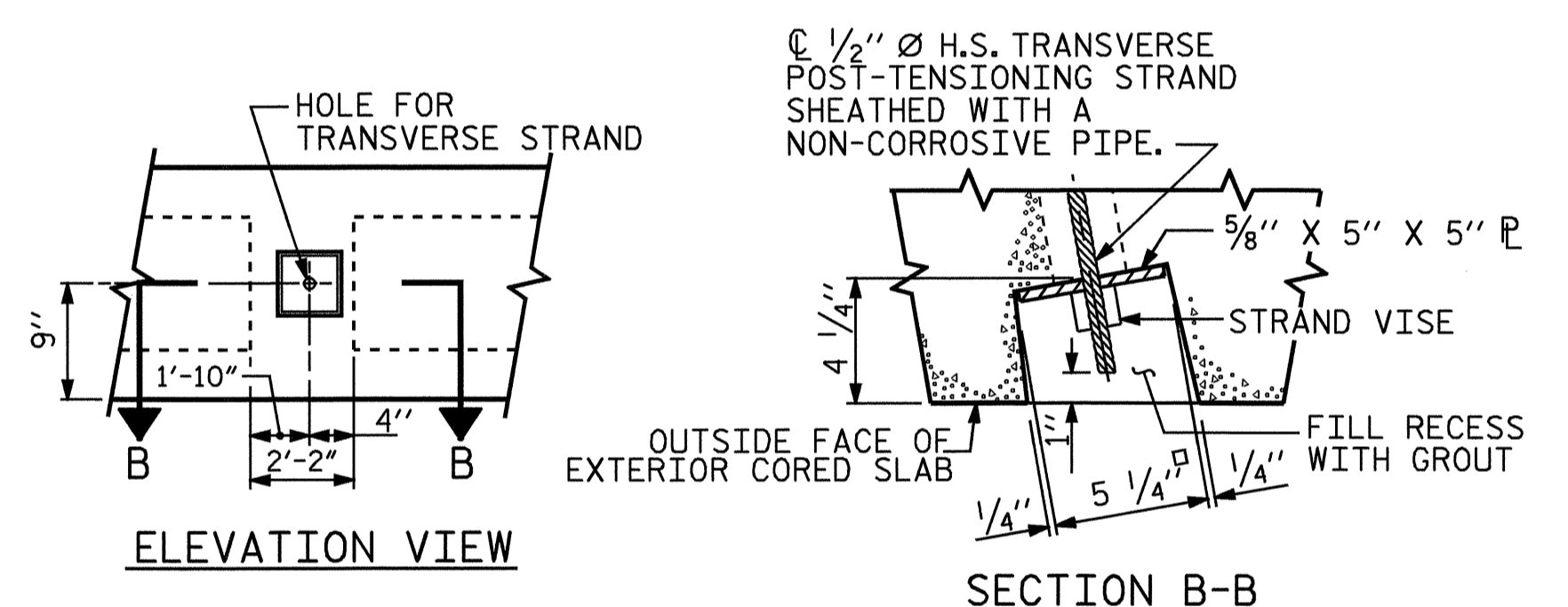


SECTION AT END BENT No. 1

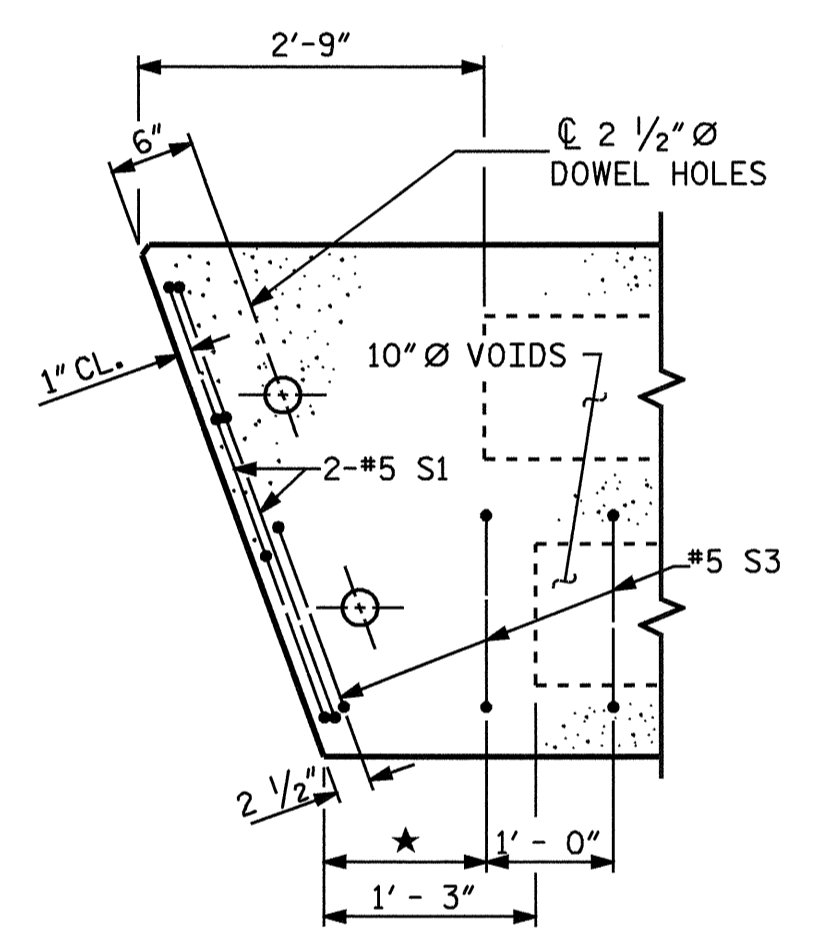


SECTION AT END BENT No. 2

**TYPICAL SECTION**

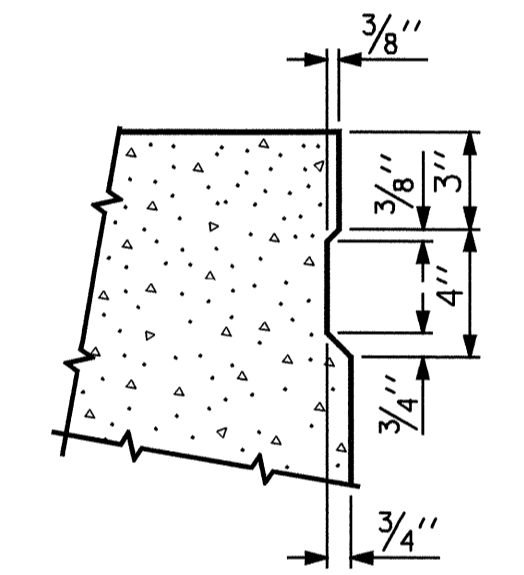


**GRouted RECESS AT END OF POST-TENSIONED STRAND CORED SLABS**

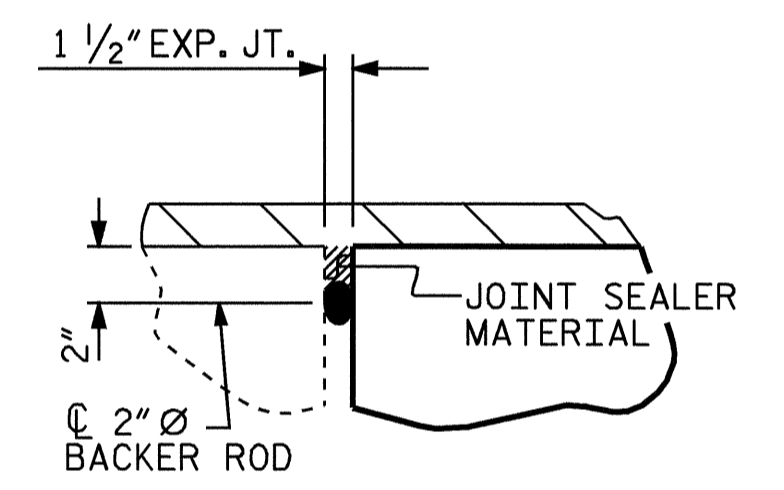


**PART PLAN-EXTERIOR SECTION**

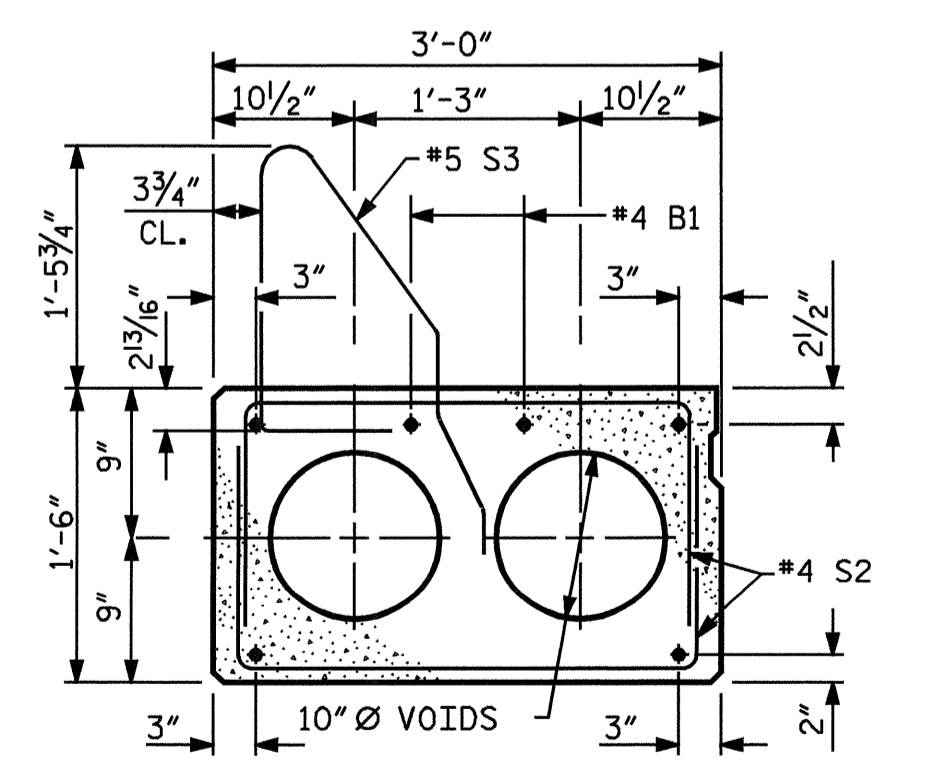
NOTE: EXTERIOR SECTION SHOWN-INTERIOR SECTION SIMILAR EXCEPT OMIT S3 BARS.  
★ SEE PLAN OF SPAN A FOR THIS DIMENSION



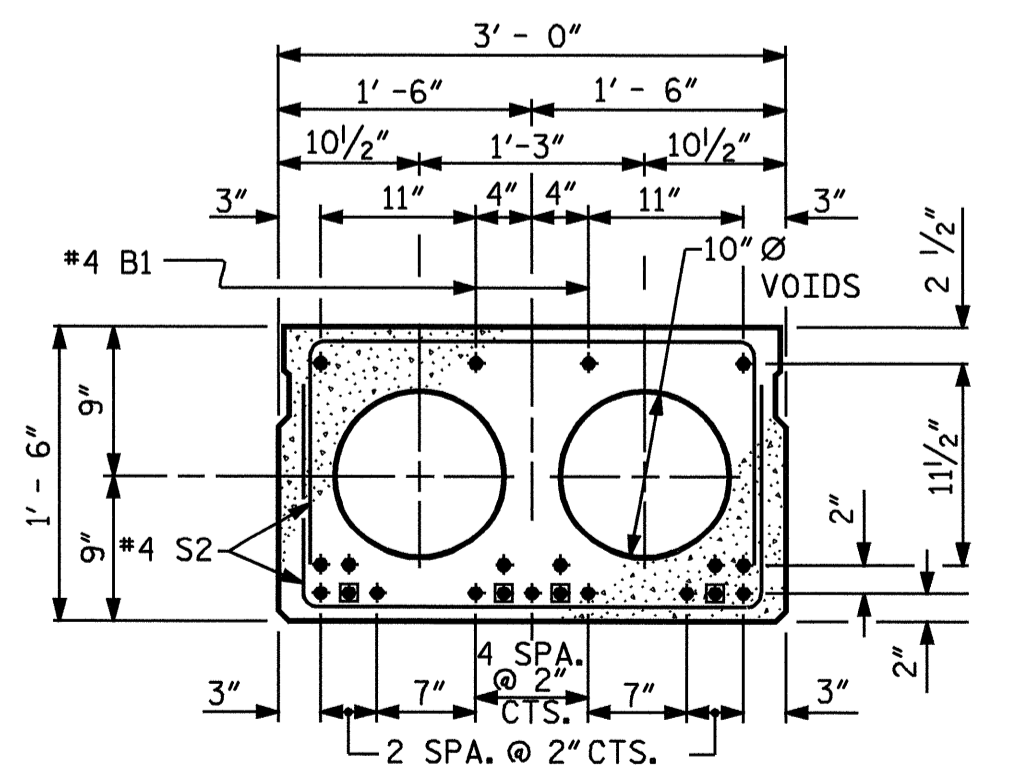
**SHEAR KEY DETAIL**  
NOTE: OMIT SHEAR KEY ON OUTSIDE FACE OF EXTERIOR CORED SLABS.



**DETAIL A**

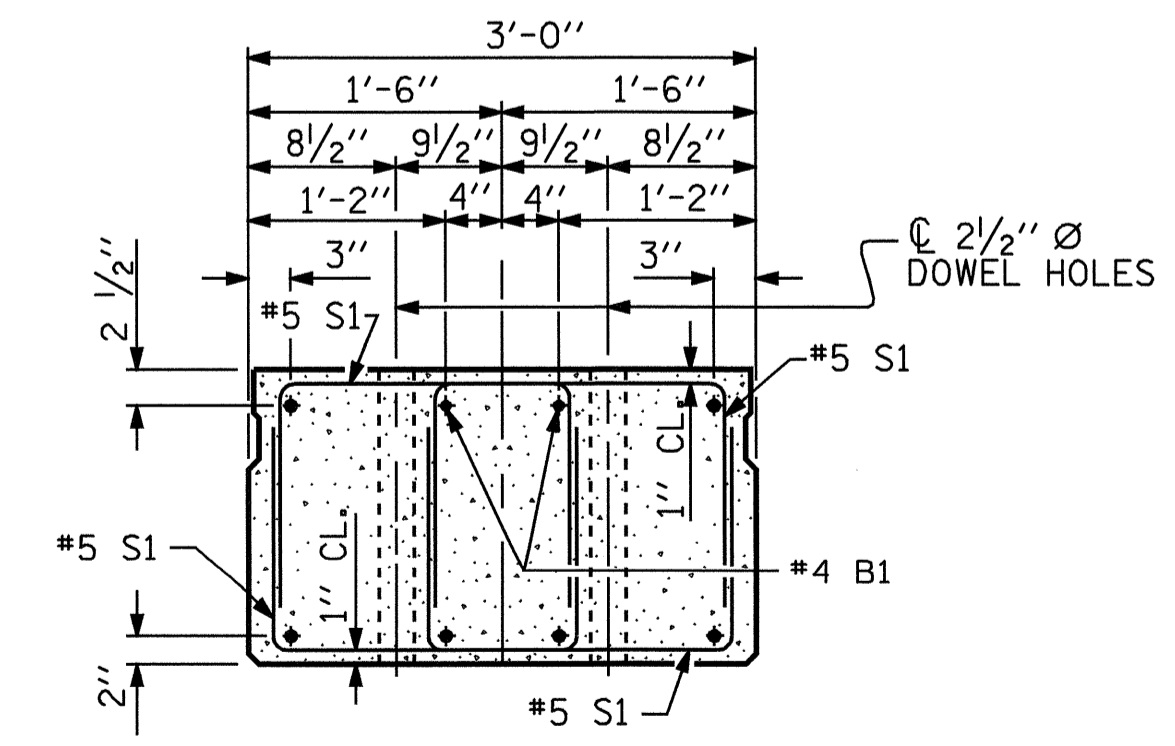


**EXTERIOR SLAB SECTION**  
(FOR PRESTRESSED STRAND LAYOUT, SEE INTERIOR SLAB SECTION.)

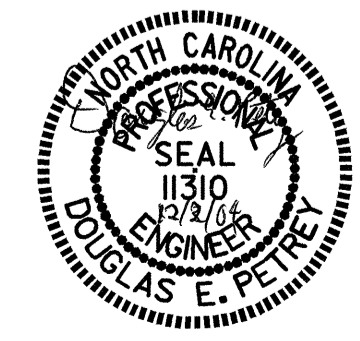


**INTERIOR SLAB SECTION**  
**1/2" Ø LOW RELAXATION STRAND LAYOUT**  
SPAN A (19 STRANDS)

■ BOND SHALL BE BROKEN ON THESE STRANDS FOR A DISTANCE OF 4'-0" FROM END OF CORED SLAB UNIT. SEE STANDARD SPECIFICATIONS, ARTICLE 1078-7



**END ELEVATION**  
SHOWING PLACEMENT OF DOUBLE STIRRUPS AND LOCATION OF DOWEL HOLES. (STRAND LAYOUT NOT SHOWN.)  
INTERIOR SLAB SECTION SHOWN - EXTERIOR SLAB SECTION SIMILAR EXCEPT SHEAR KEY LOCATION.



PROJECT NO. B-3926  
WATAUGA COUNTY  
STATION: 23+59.50 -L1-

SHEET 1 OF 3

STATE OF NORTH CAROLINA  
DEPARTMENT OF TRANSPORTATION  
RALEIGH  
**STANDARD 3'-0" X 1'-6" PRESTRESSED CONCRETE CORED SLAB UNIT**

|                           |                       |
|---------------------------|-----------------------|
| ASSEMBLED BY : B.N. GRADY | DATE : 7/03           |
| CHECKED BY : P.C. BREWER  | DATE : 7/03           |
| DRAWN BY : WJH 4/89       | REV. 8/16/99 RWW/LES  |
| CHECKED BY : FCJ 5/89     | REV. 10/17/00 RWW/LES |
|                           | REV. 7/10/01 RWW/LES  |

| REVISIONS |     |       |     |     | SHEET NO. |
|-----------|-----|-------|-----|-----|-----------|
| NO.       | BY: | DATE: | NO. | BY: | DATE:     |
| 1         |     |       | 3   |     |           |
| 2         |     |       | 4   |     |           |

S-4  
TOTAL SHEETS  
36