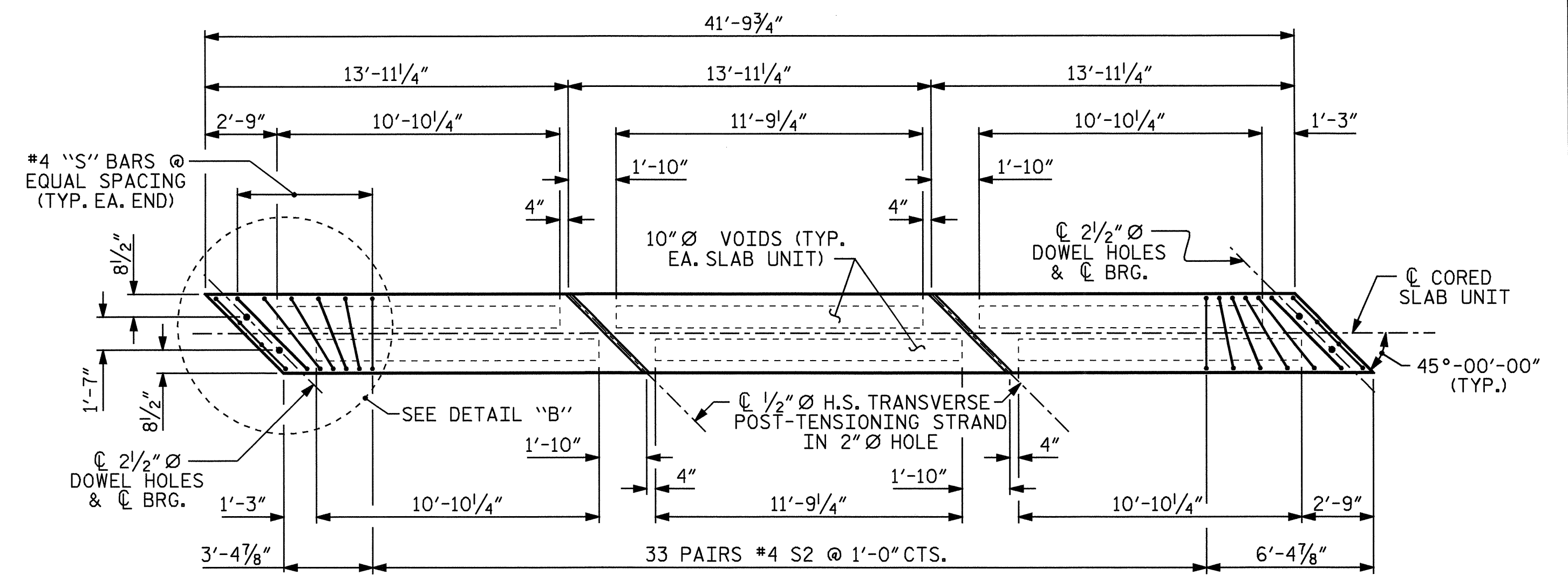
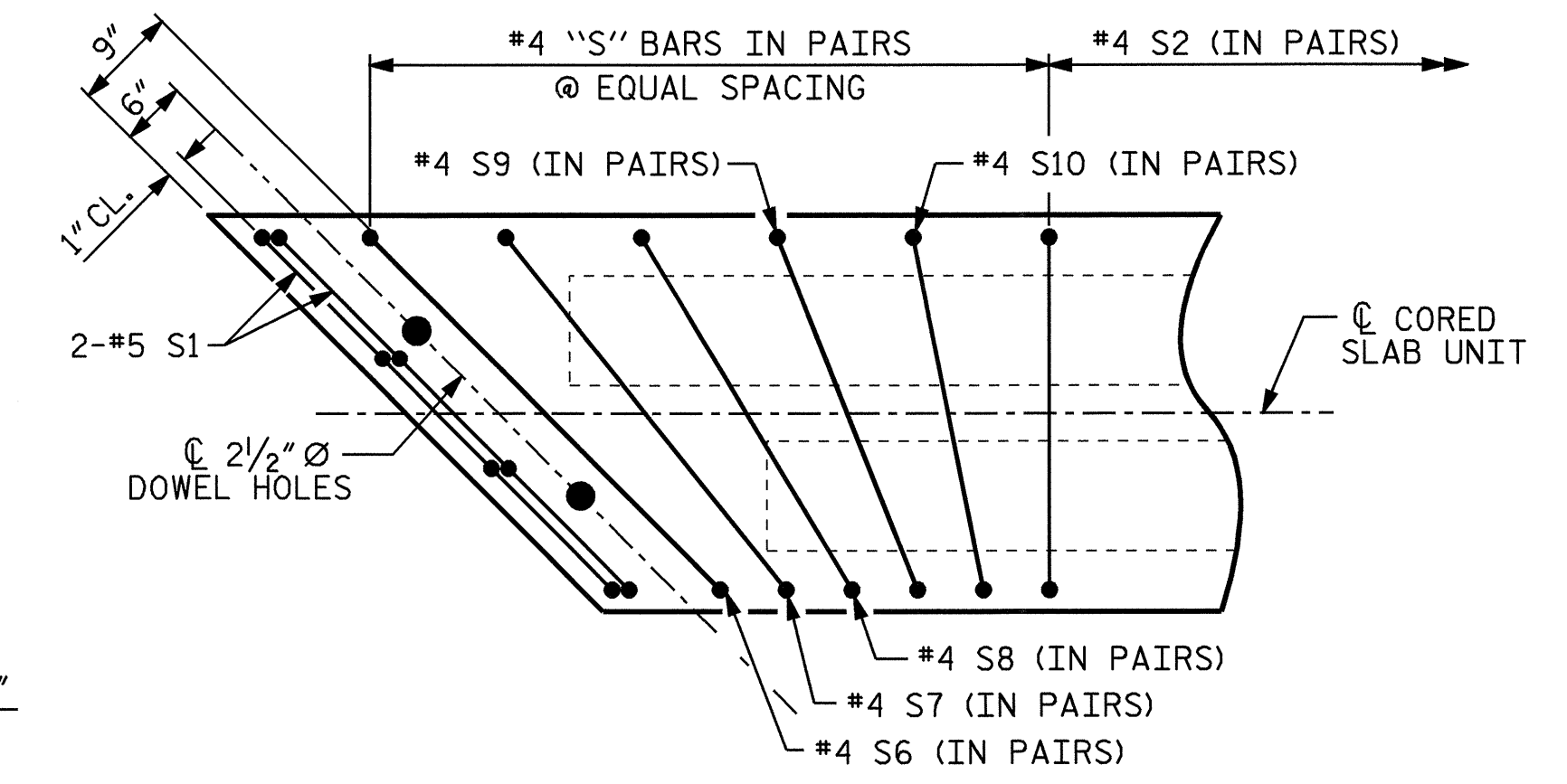


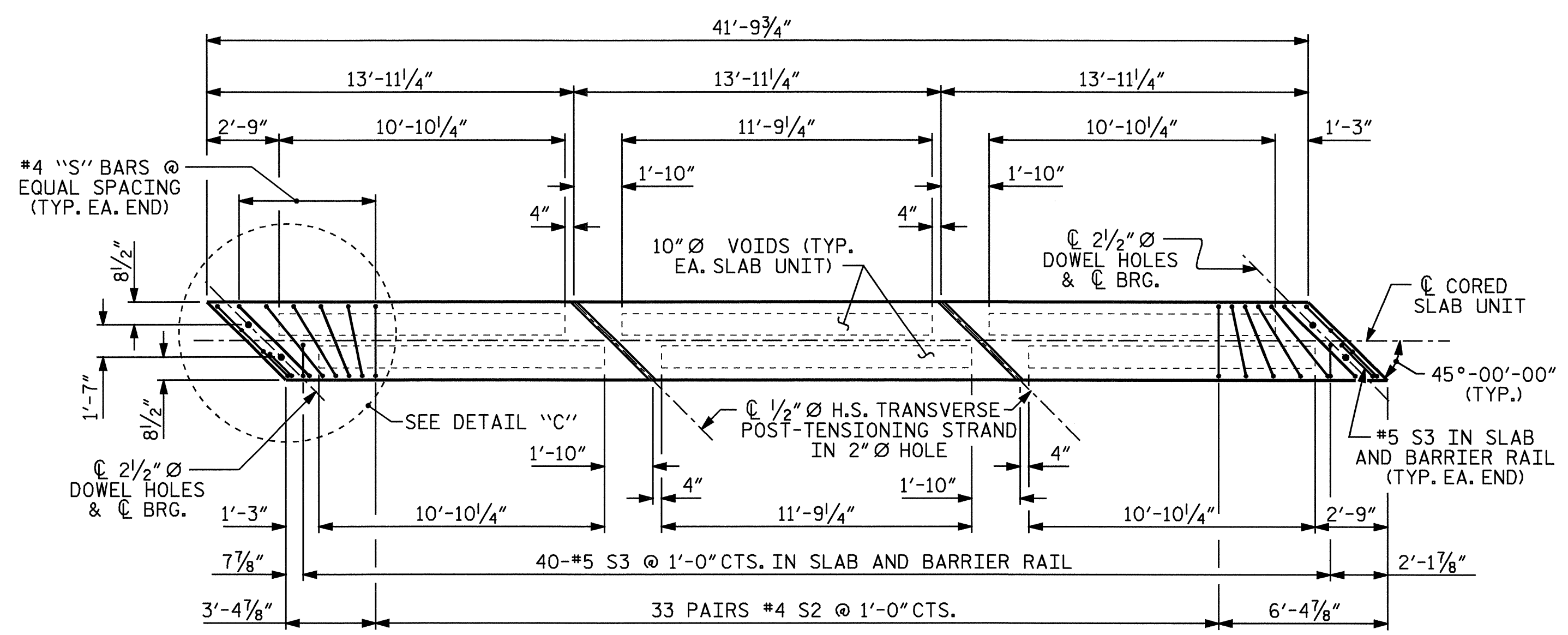
PLAN OF SPAN A



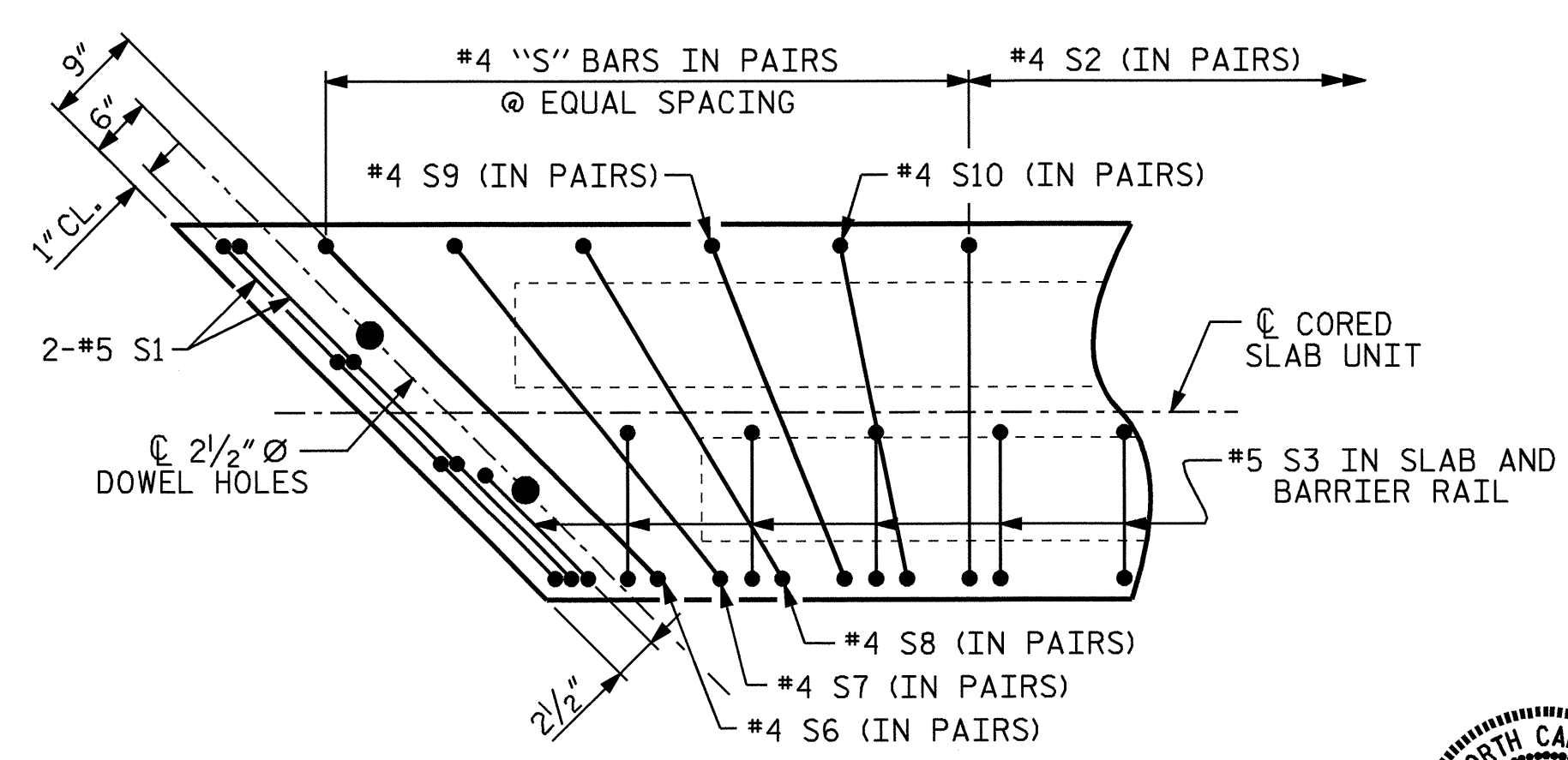
PLAN OF INTERIOR CORED SLAB UNIT



DETAIL "B"
(SIMILAR EA. END)



PLAN OF EXTERIOR CORED SLAB UNIT



DETAIL "C"
(SIMILAR EA. END)

PROJECT NO. B-3926
WATAUGA COUNTY
 STATION: 23+59.50 -L1-
 SHEET 2 OF 3

STATE OF NORTH CAROLINA
 DEPARTMENT OF TRANSPORTATION
 RALEIGH
 SUPERSTRUCTURE
 PLAN OF SPAN A



DRAWN BY: B.N. GRADY DATE: 7/03
 CHECKED BY: P.C. BREWER DATE: 7/03

REVISIONS						SHEET NO.
NO.	BY:	DATE:	NO.	BY:	DATE:	S-5
1			3			TOTAL SHEETS
2			4			36