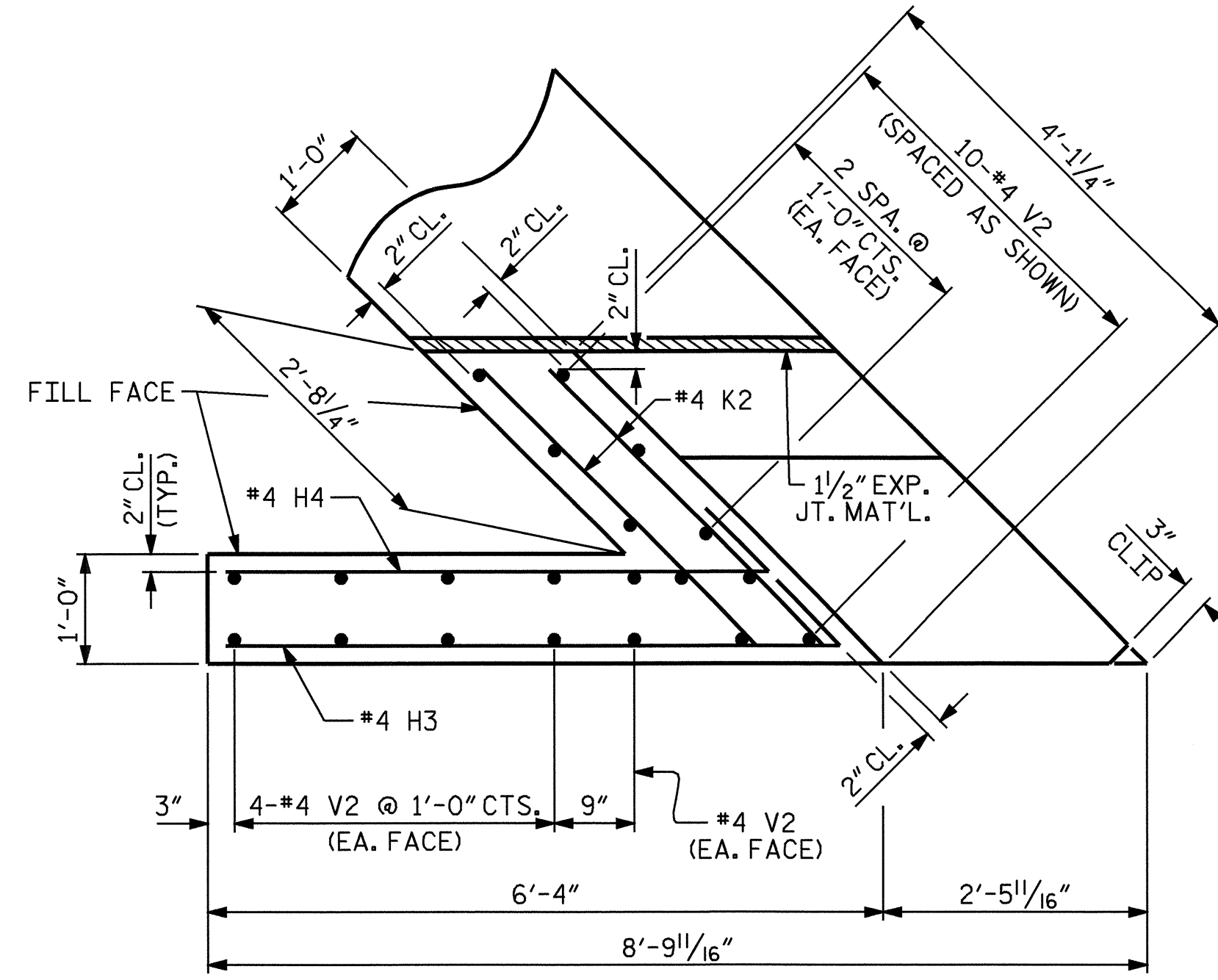
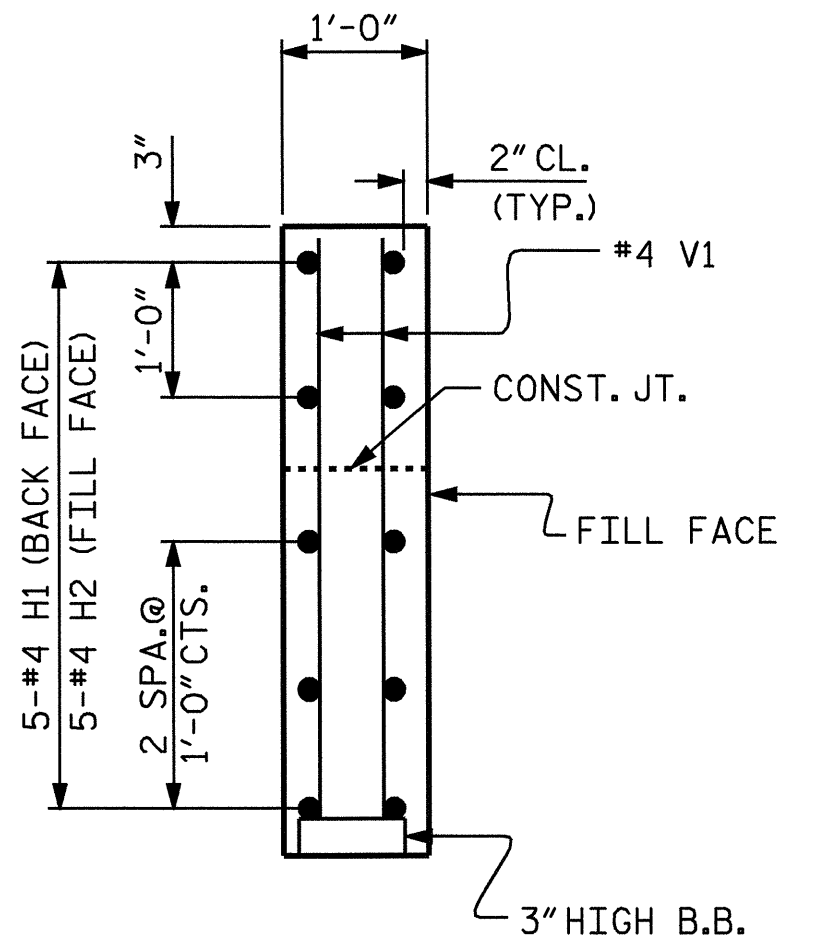


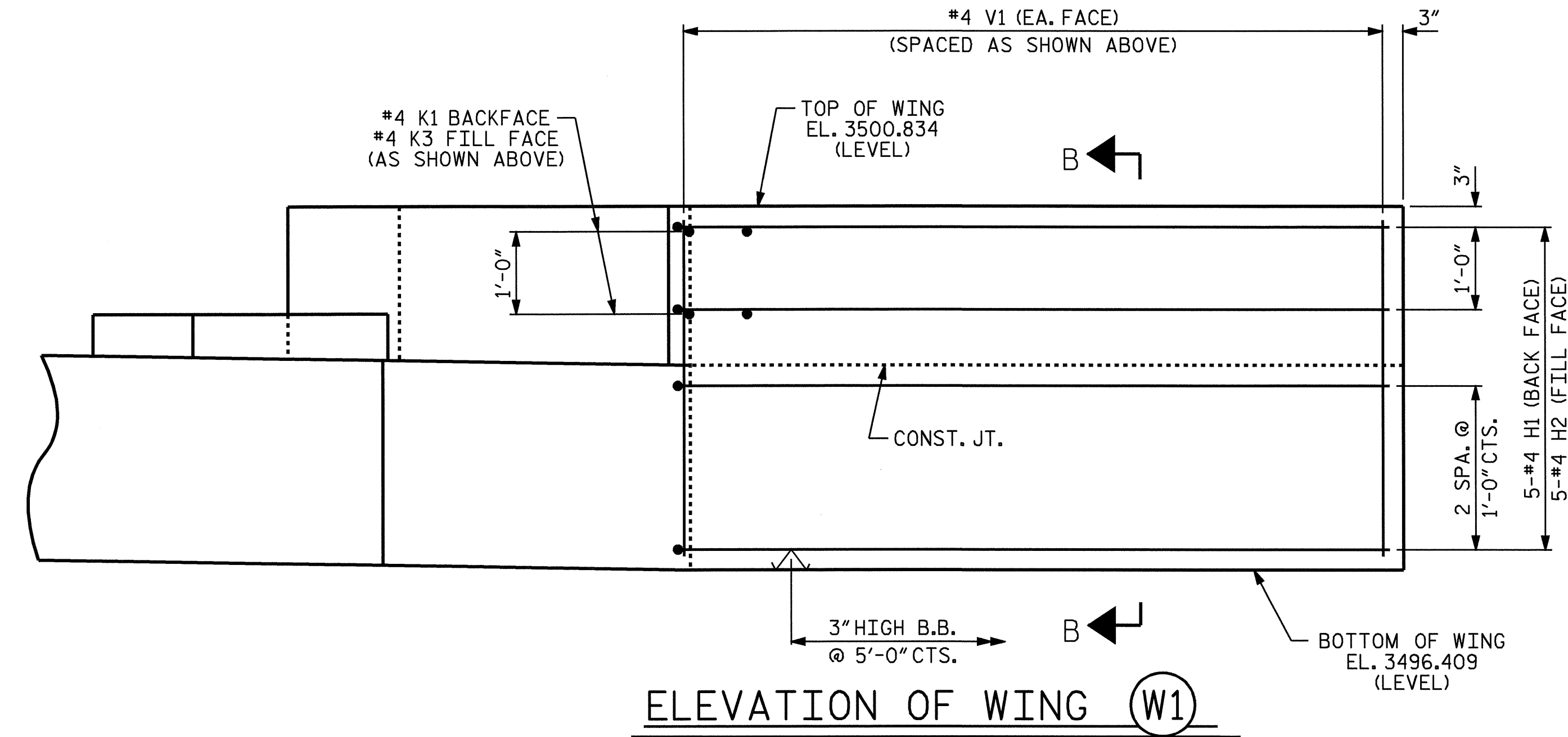
PLAN OF WING (W1)



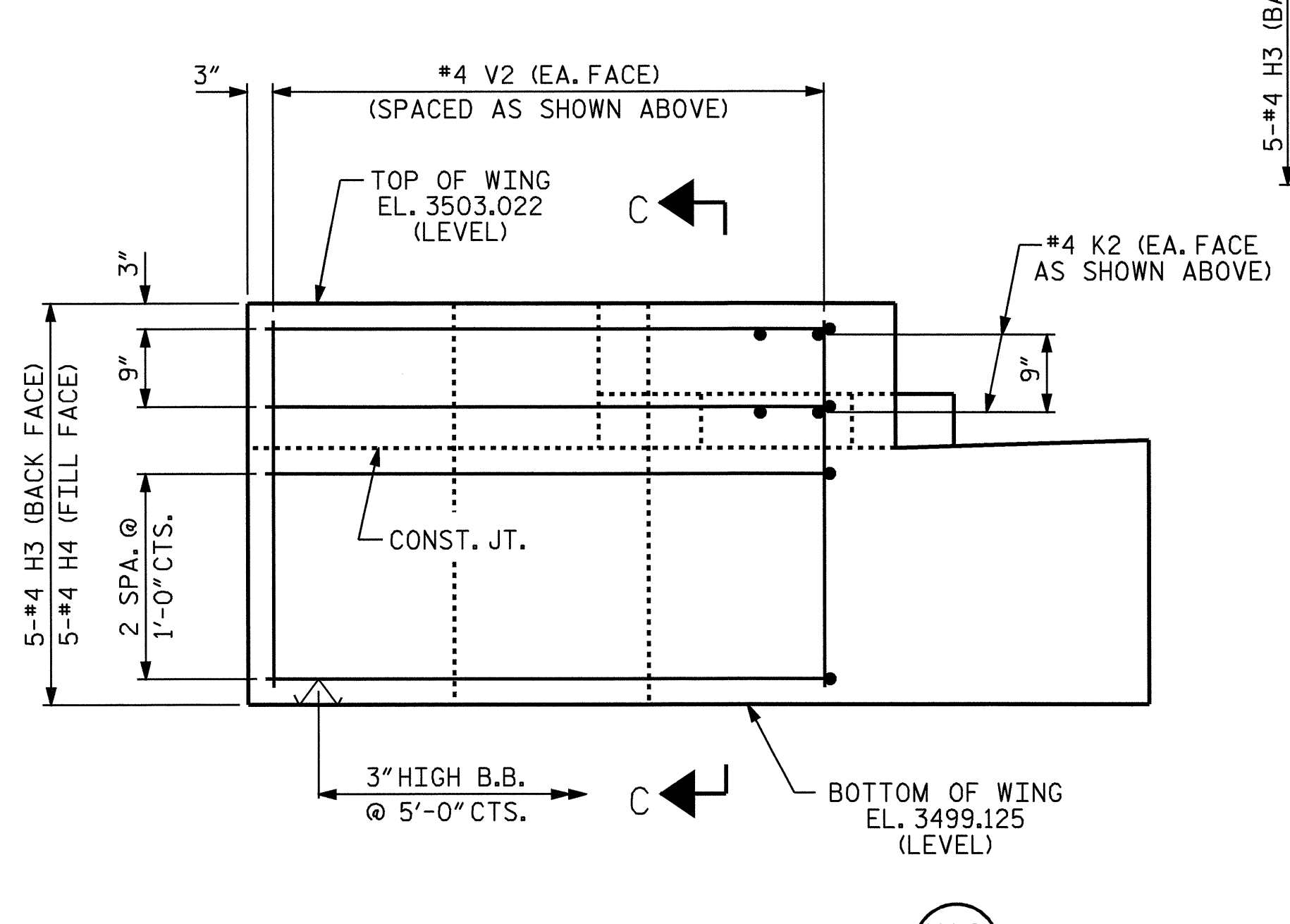
PLAN OF WING (W2)



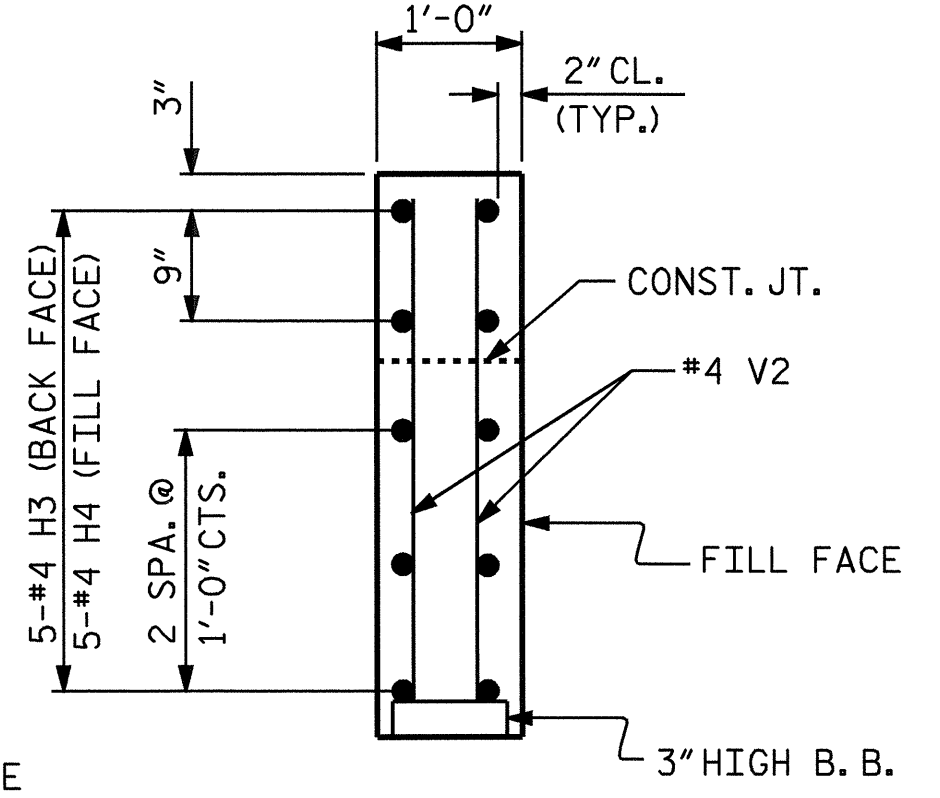
SECTION B-B



ELEVATION OF WING (W1)



ELEVATION OF WING (W2)



SECTION C-C

PROJECT NO. B-3926
 WATAUGA COUNTY
 STATION: 23+59.50 -L1-

SHEET 2 OF 3

STATE OF NORTH CAROLINA
 DEPARTMENT OF TRANSPORTATION
 RALEIGH
 SUBSTRUCTURE
 END BENT No. 1



DRAWN BY: B.N. GRADY DATE: 11/04
 CHECKED BY: P.C. BREWER DATE: 11/04

REVISIONS						SHEET NO.
NO.	BY:	DATE:	NO.	BY:	DATE:	S-8
1			3			TOTAL SHEETS
2			4			36