

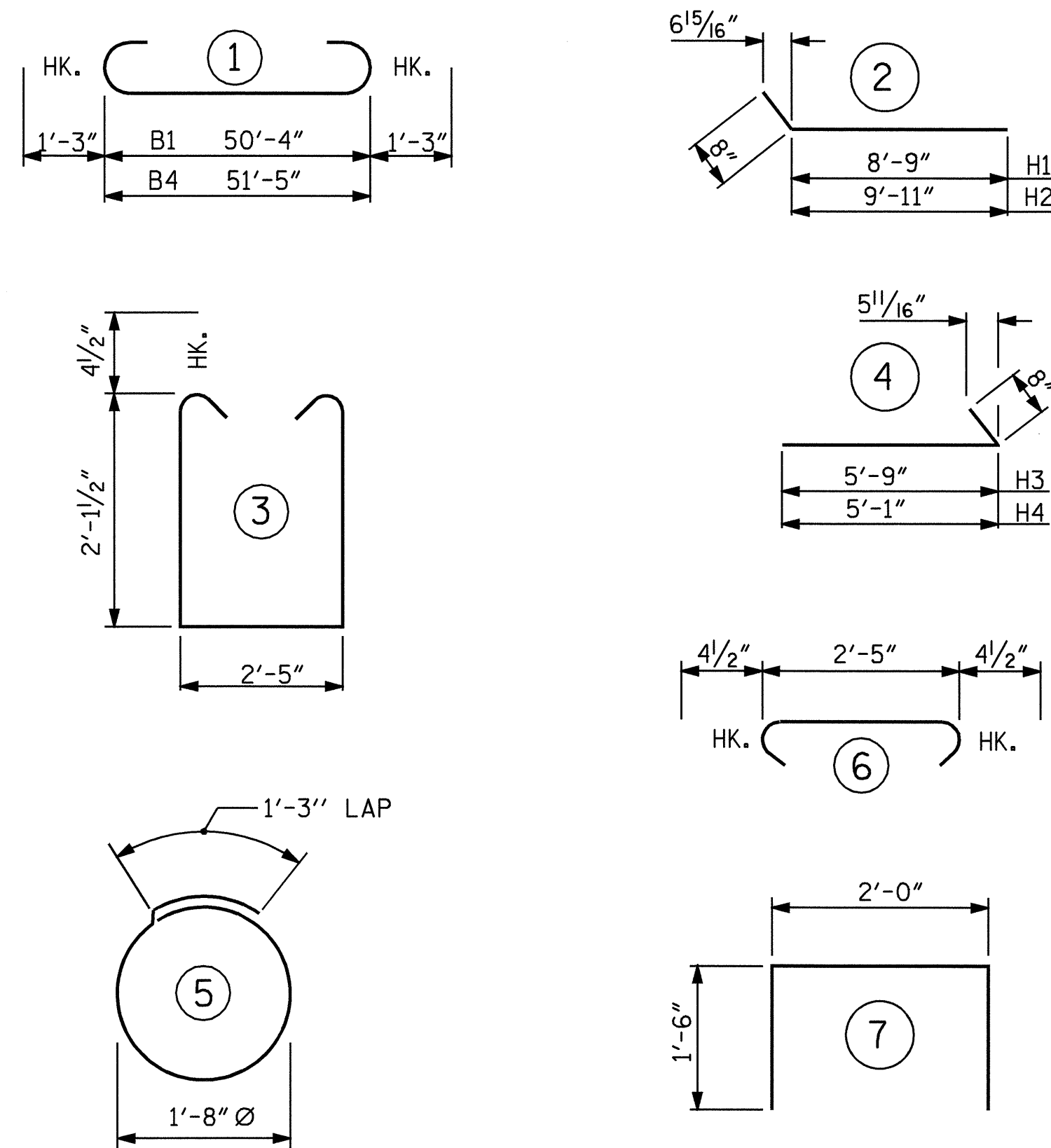
BAGGED STONE AND PIPE SHALL BE PLACED IMMEDIATELY AFTER COMPLETION OF END BENT EXCAVATION. PIPE MAY BE EITHER CONCRETE, CORRUGATED STEEL, CORRUGATED ALUMINUM ALLOY, OR CORRUGATED PLASTIC. PERFORATED PIPE WILL NOT BE ALLOWED.

BAGGED STONE SHALL REMAIN IN PLACE UNTIL THE ENGINEER DIRECTS THAT IT BE REMOVED. THE CONTRACTOR SHALL REMOVE AND DISPOSE OF SILT ACCUMULATIONS AT BAGGED STONE WHEN SO DIRECTED BY THE ENGINEER. BAGS SHALL BE REMOVED AND REPLACED WHENEVER THE ENGINEER DETERMINES THAT THEY HAVE DETERIORATED AND LOST THEIR EFFECTIVENESS.

NO SEPARATE PAYMENT WILL BE MADE FOR THIS WORK AND THE ENTIRE COST OF THIS WORK SHALL BE INCLUDED IN THE UNIT CONTRACT PRICE BID FOR THE SEVERAL PAY ITEMS.

TEMPORARY DRAINAGE AT END BENT

BAR TYPES

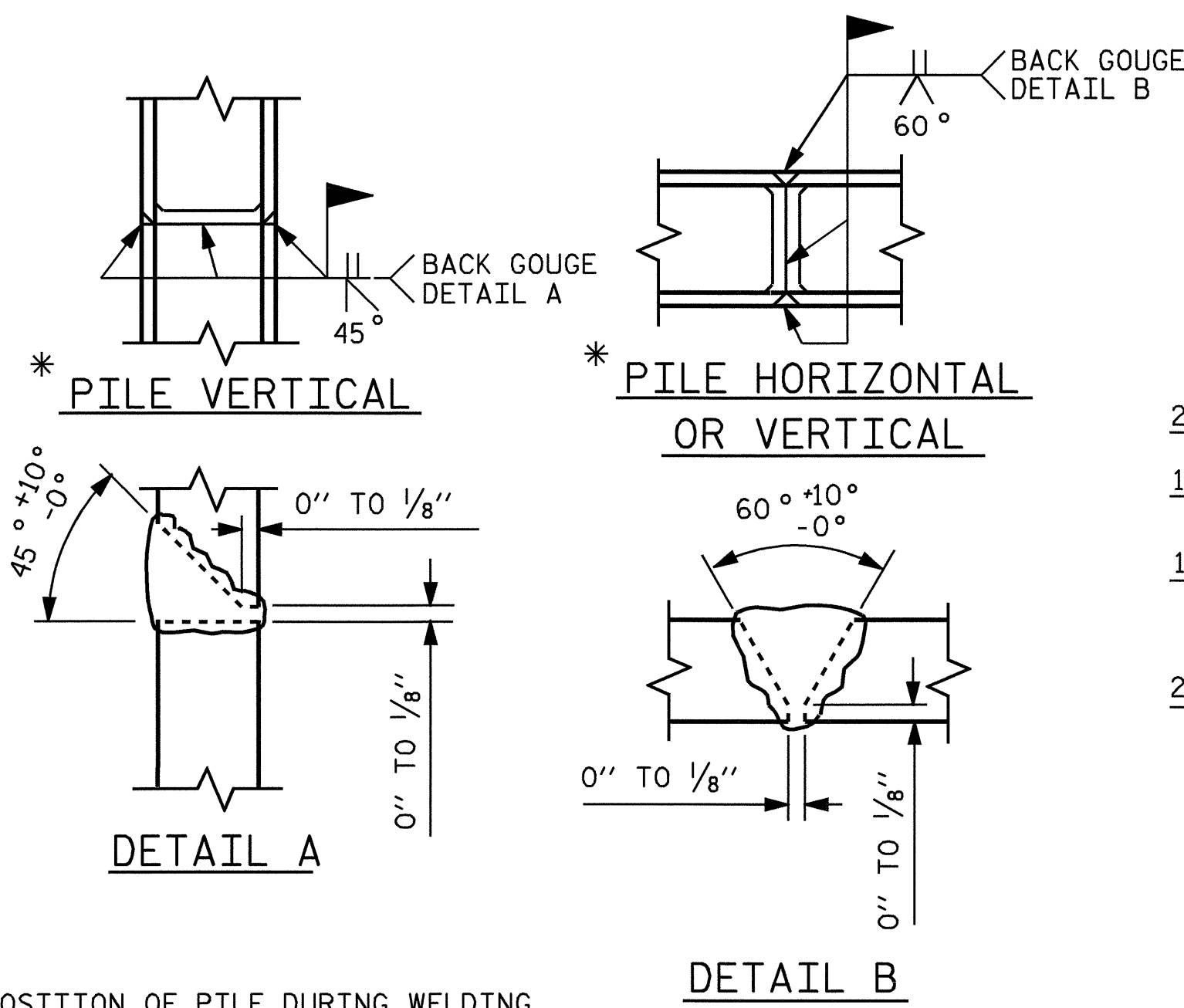


ALL BAR DIMENSIONS ARE OUT TO OUT.

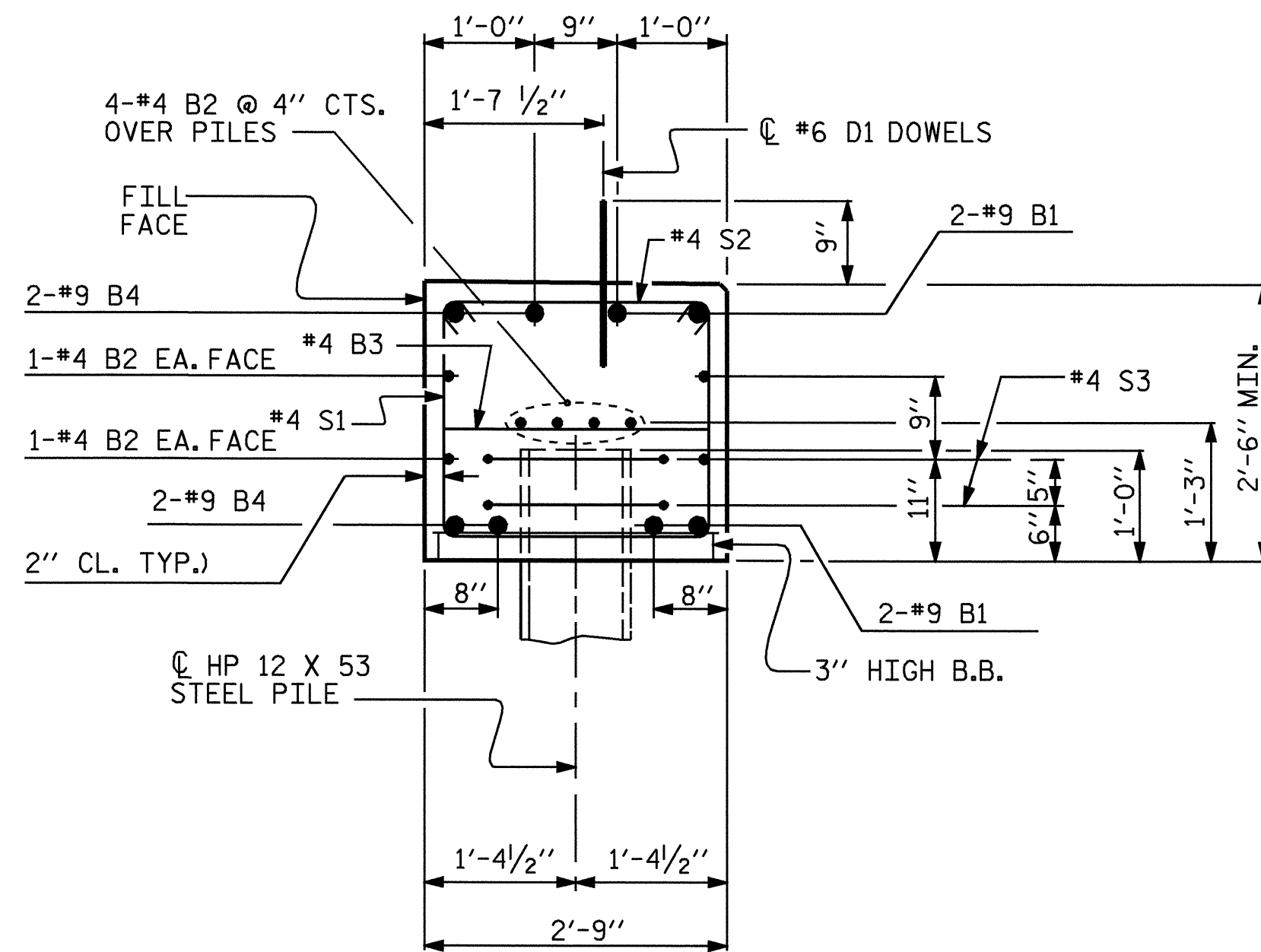
BILL OF MATERIAL

END BENT No. 1					
BAR	NO.	SIZE	TYPE	LENGTH	WEIGHT
B1	4	#9	1	52'-10"	719
B2	16	#4	STR	27'-5"	293
B3	12	#4	STR	2'-5"	19
B4	4	#9	1	53'-11"	733
D1	20	#6	STR	1'-6"	45
H1	5	#4	2	9'-5"	31
H2	5	#4	2	10'-7"	35
H3	5	#4	4	6'-5"	21
H4	5	#4	4	5'-9"	19
K1	2	#4	STR	5'-0"	7
K2	4	#4	STR	3'-7"	10
K3	2	#4	STR	5'-4"	7
S1	44	#4	3	7'-5"	218
S2	44	#4	6	3'-2"	93
S3	14	#4	5	6'-6"	61
S4	4	#4	7	5'-0"	13
V1	29	#4	STR	4'-0"	77
V2	20	#4	STR	3'-6"	47
REINFORCING STEEL				=	2448 LBS
CLASS A CONCRETE BREAKDOWN:					
POUR #1	- (CAP & LOWER WINGS)			14.8	C.Y.
POUR #2	- (UPPER WINGS)			1.4	C.Y.
POUR #3	- (LATERAL GUIDES)			0.1	C.Y.
TOTAL				16.3	C.Y.
HP 12 X 53 STEEL PILES					
NO. = 7				LIN. FT. =	79.0

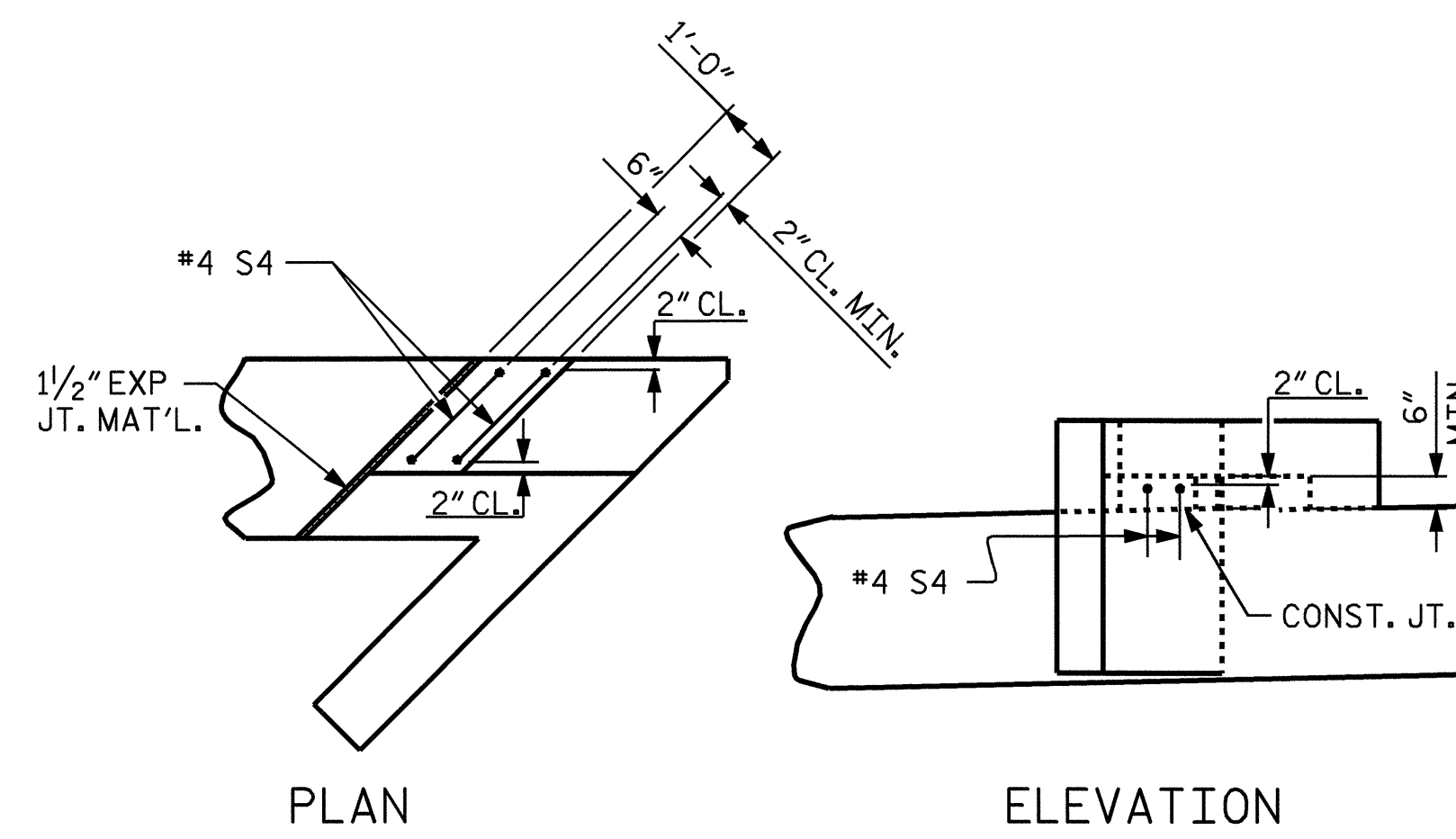
PILE EXCAVATION IN SOIL	31.5 LIN. FT.
PILE EXCAVATION NOT IN SOIL	39.0 LIN. FT.



PILE SPLICE DETAILS



SECTION A-A



LATERAL GUIDE DETAILS

(RIGHT LATERAL GUIDE SHOWN, LEFT SIMILAR)

PROJECT NO. B-3926
WATAUGA COUNTY
 STATION: 23+59.50 -L1-
 SHEET 3 OF 3

STATE OF NORTH CAROLINA
 DEPARTMENT OF TRANSPORTATION
 RALEIGH

SUBSTRUCTURE END BENT No. 1



DRAWN BY: B.N. GRADY DATE: 11/04
 CHECKED BY: P.C. BREWER DATE: 11/04

REVISIONS					SHEET NO.
NO.	BY:	DATE:	NO.	BY:	DATE:
1			3		
2			4		