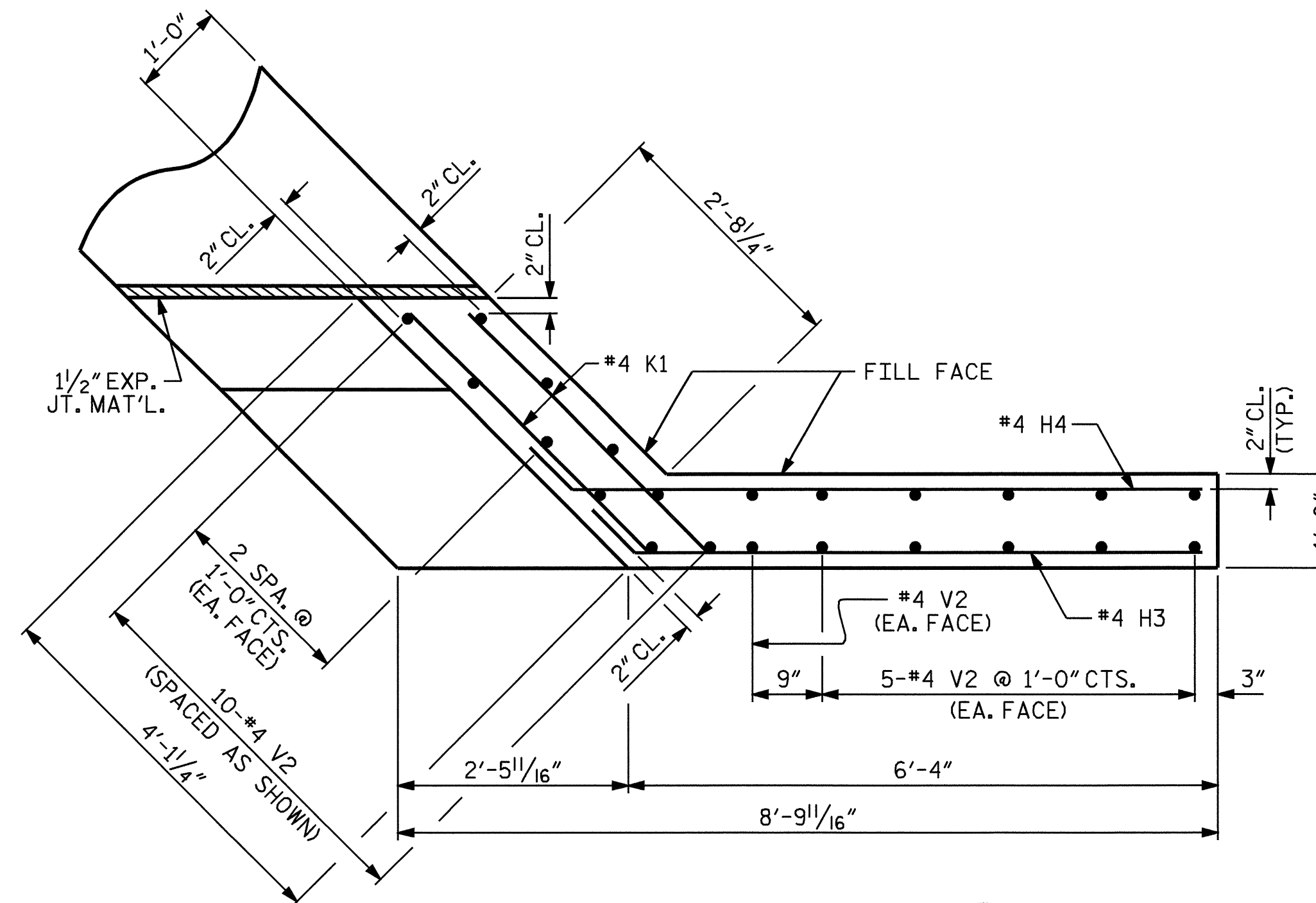
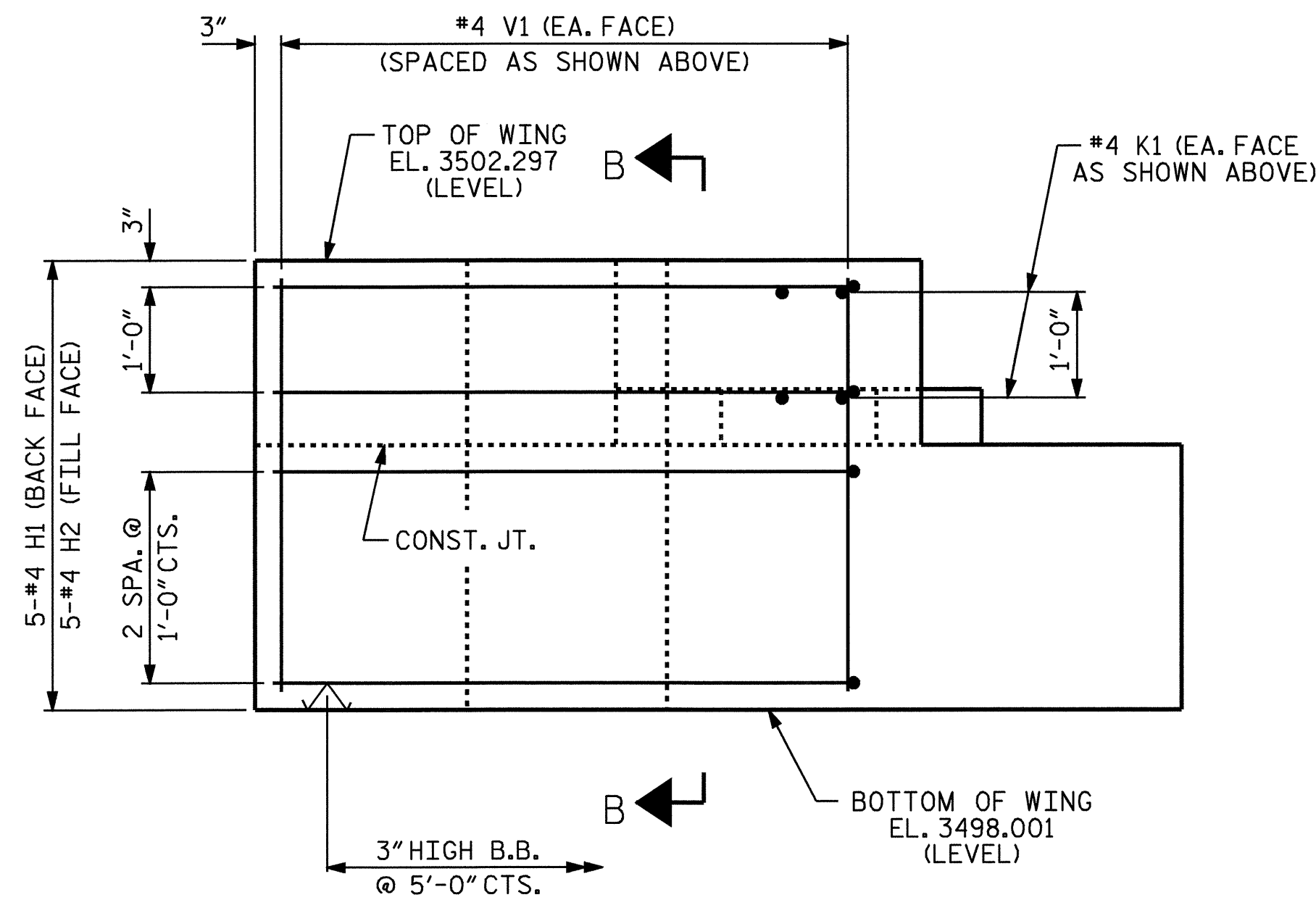


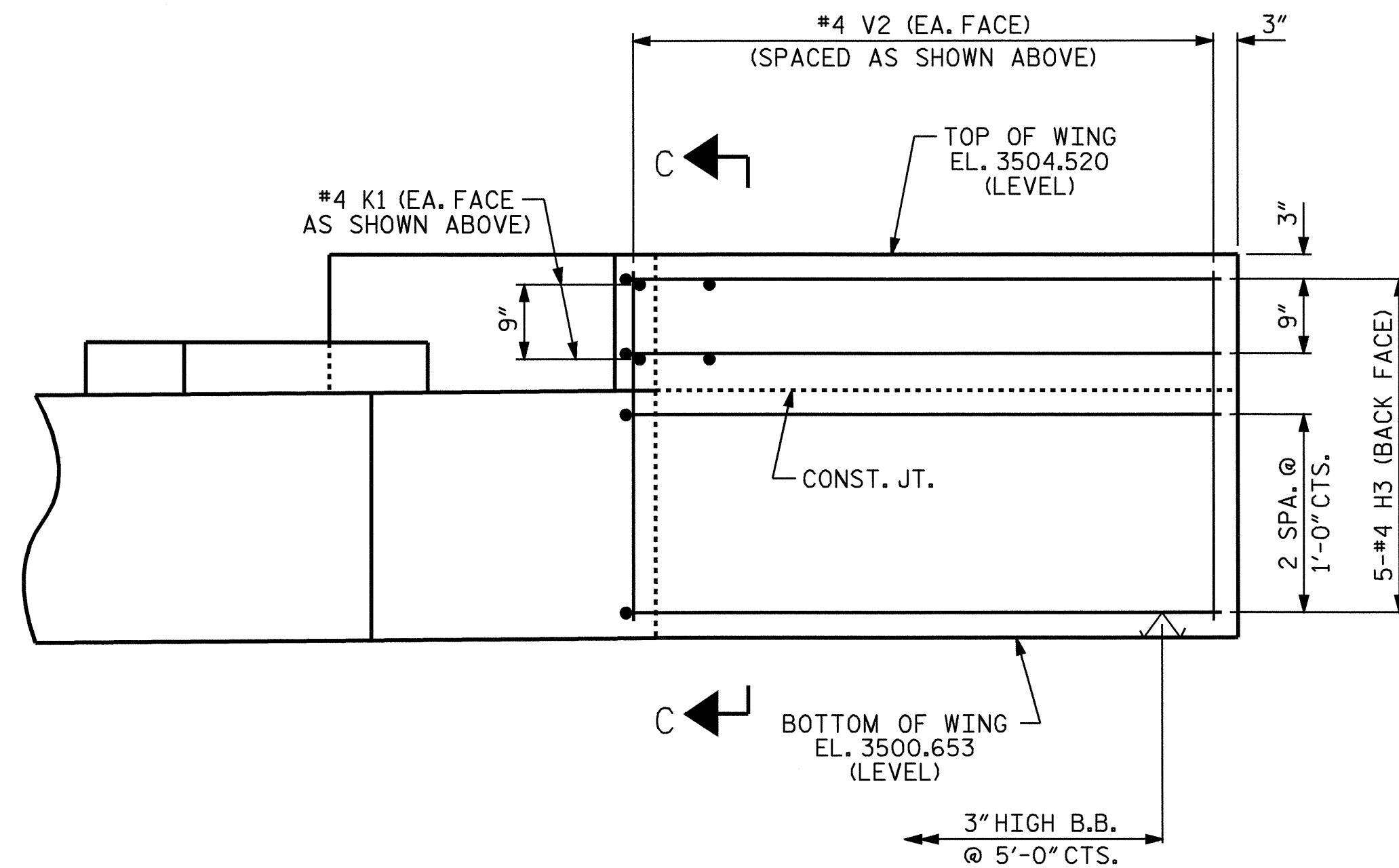
PLAN OF WING (W1)



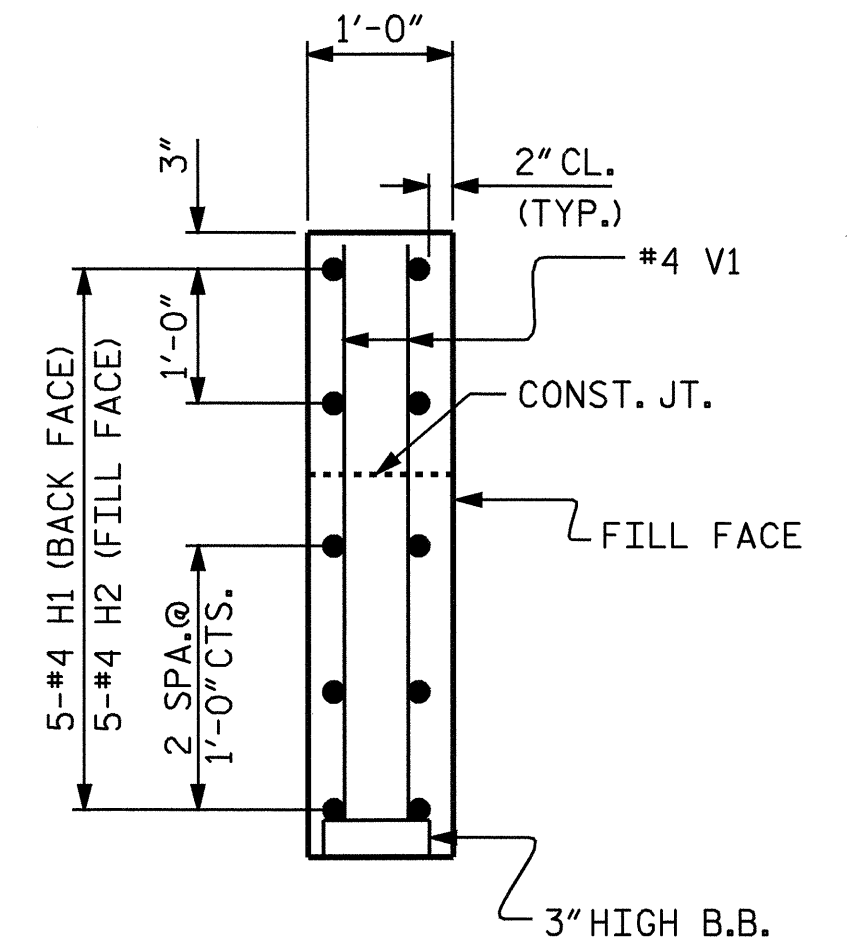
PLAN OF WING (W2)



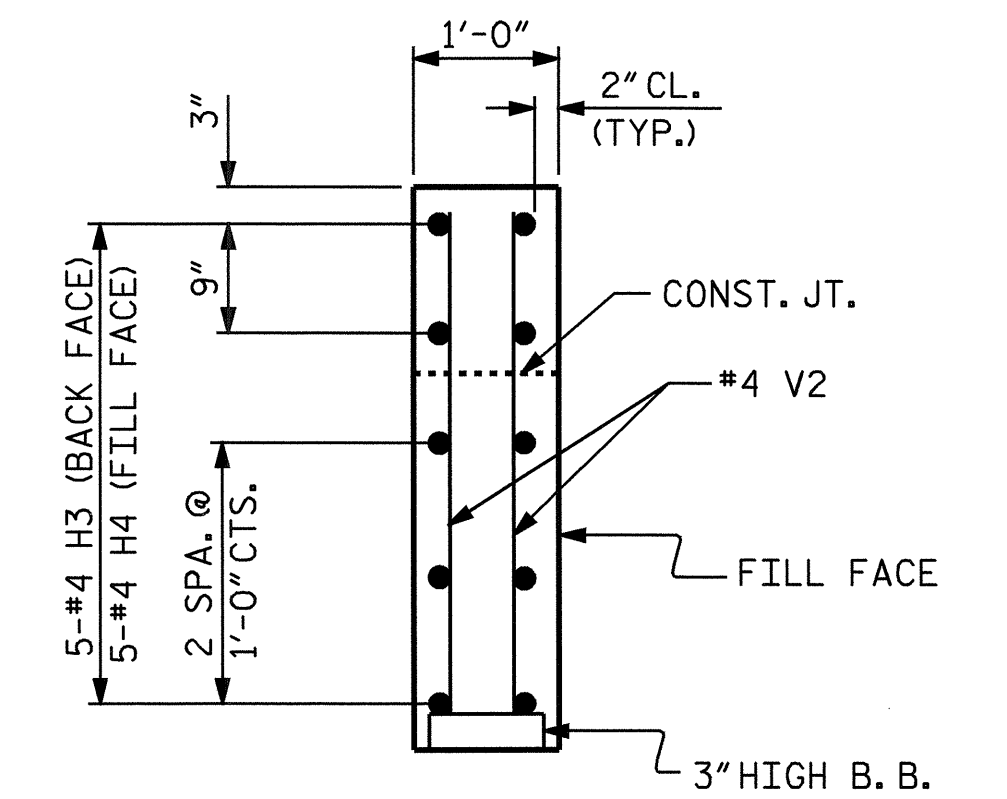
ELEVATION OF WING (W1)



ELEVATION OF WING (W2)



SECTION B-B



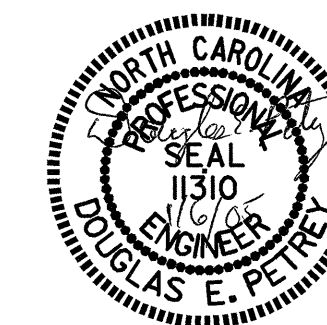
SECTION C-C

PROJECT NO. B-3926  
WATAUGA COUNTY  
 STATION: 23+59.50 -L1-

SHEET 2 OF 3

STATE OF NORTH CAROLINA  
 DEPARTMENT OF TRANSPORTATION  
 RALEIGH

SUBSTRUCTURE  
 END BENT No. 2



DRAWN BY : B.N. GRADY DATE : 11/04  
 CHECKED BY : P.C. BREWER DATE : 11/04

06-JAN-2005 10:42  
 W:\squadw\3926\bng\grady\Microstation\b3926\_sd\_eb\_01.dgn  
 bng\grady

REVISIONS						SHEET NO.	
NO.	BY:	DATE:	NO.	BY:	DATE:	S-11	
1			3			TOTAL SHEETS	
2			4			36	