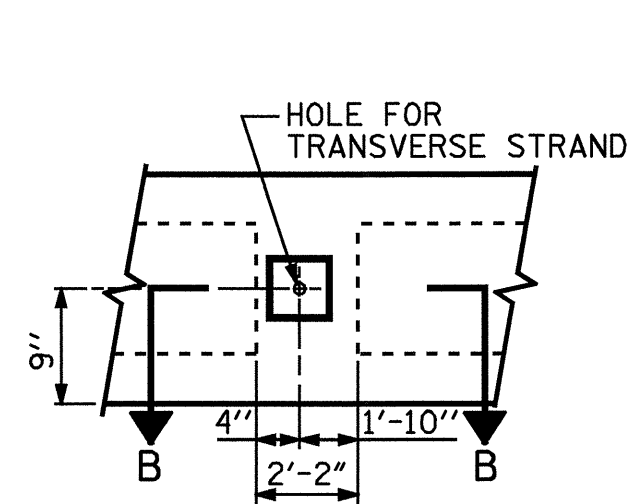


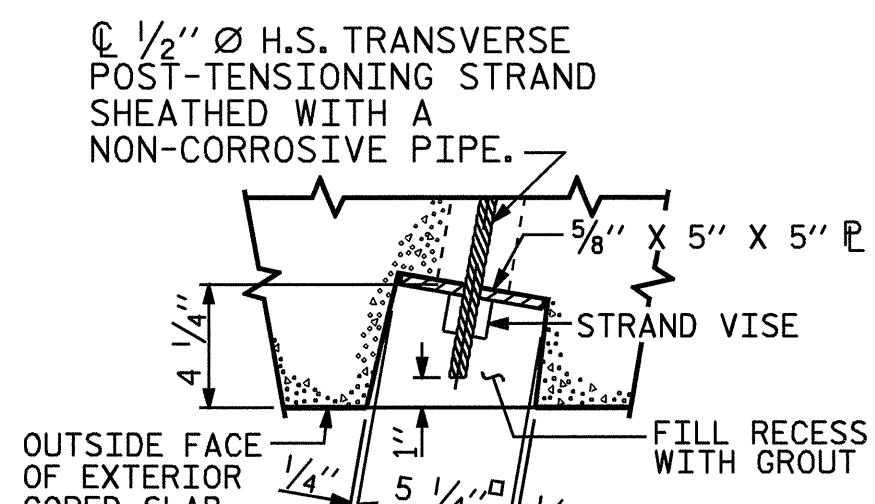
HALF SECTION AT INTERMEDIATE DIAPHRAGMS

HALF SECTION AT VOIDS

TYPICAL SECTION

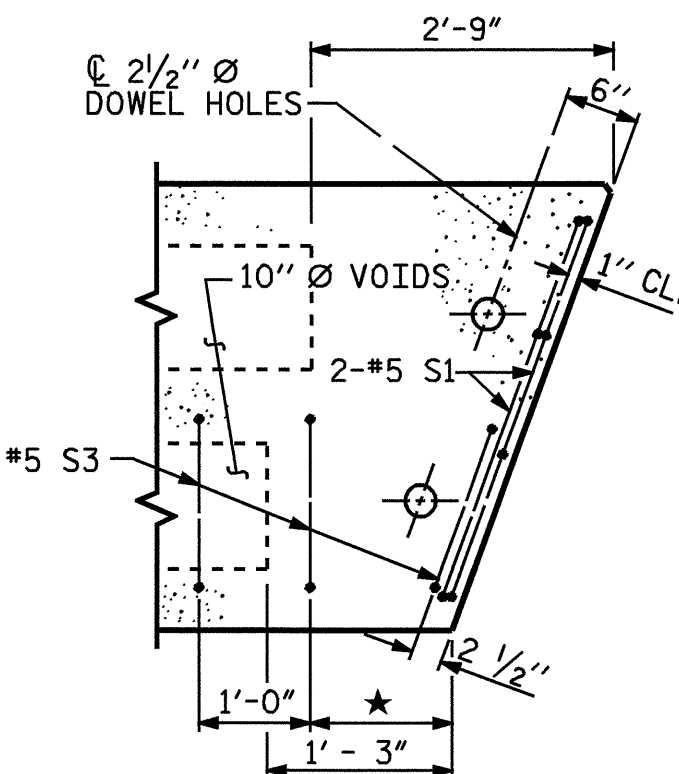


ELEVATION VIEW



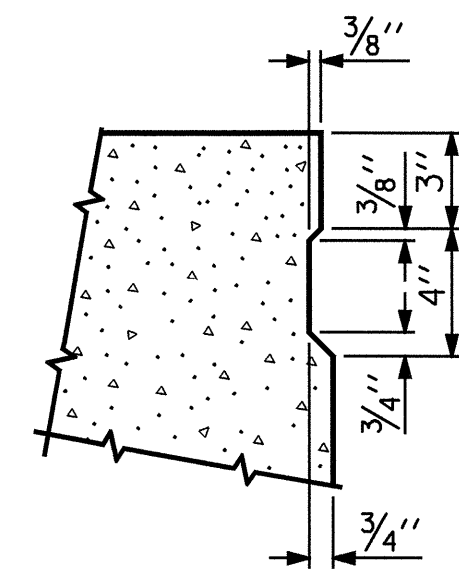
SECTION B-B

GROUTED RECESS AT END OF POST-TENSIONED STRAND CORED SLABS



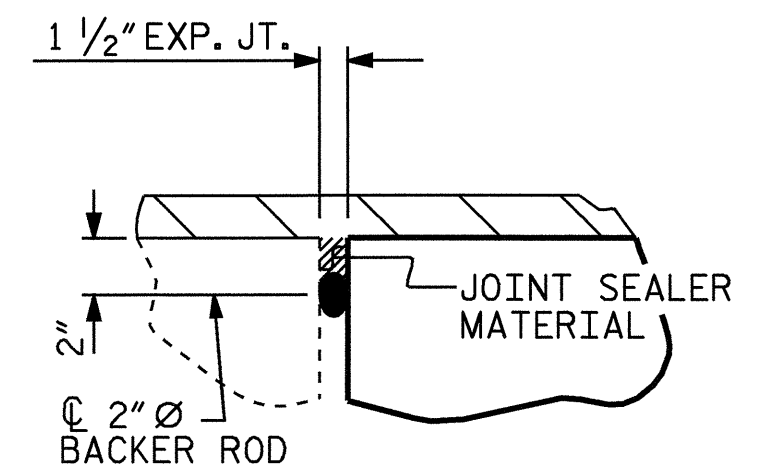
PART PLAN-EXTERIOR SECTION

NOTE: EXTERIOR SECTION SHOWN-INTERIOR SECTION SIMILAR EXCEPT OMIT S3 BARS.  
★ SEE PLAN OF SPAN A FOR THIS DIMENSION

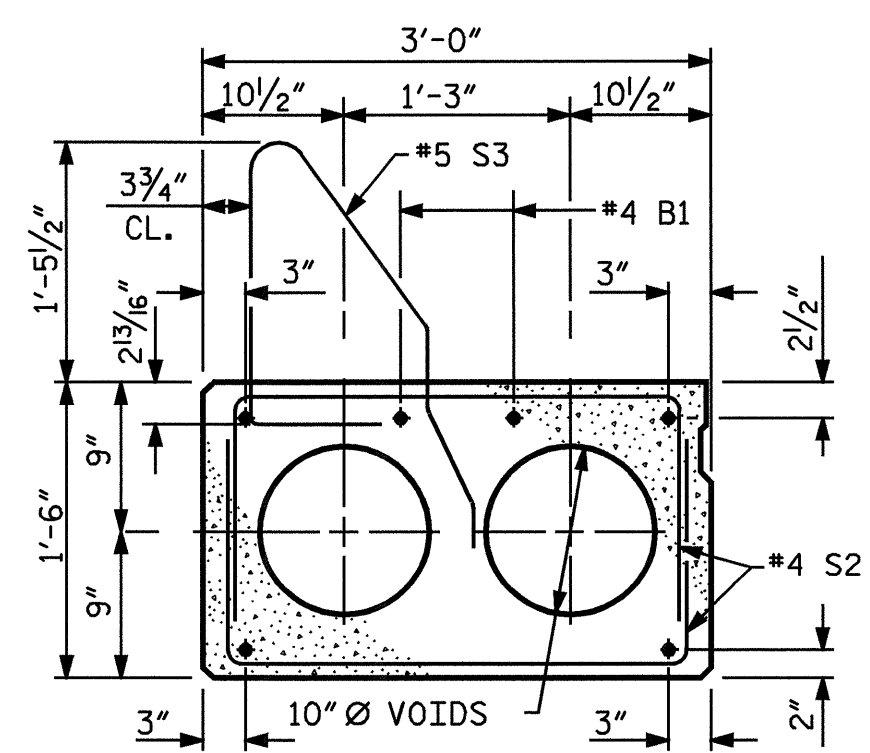


SHEAR KEY DETAIL

NOTE: OMIT SHEAR KEY ON OUTSIDE FACE OF EXTERIOR CORED SLABS.

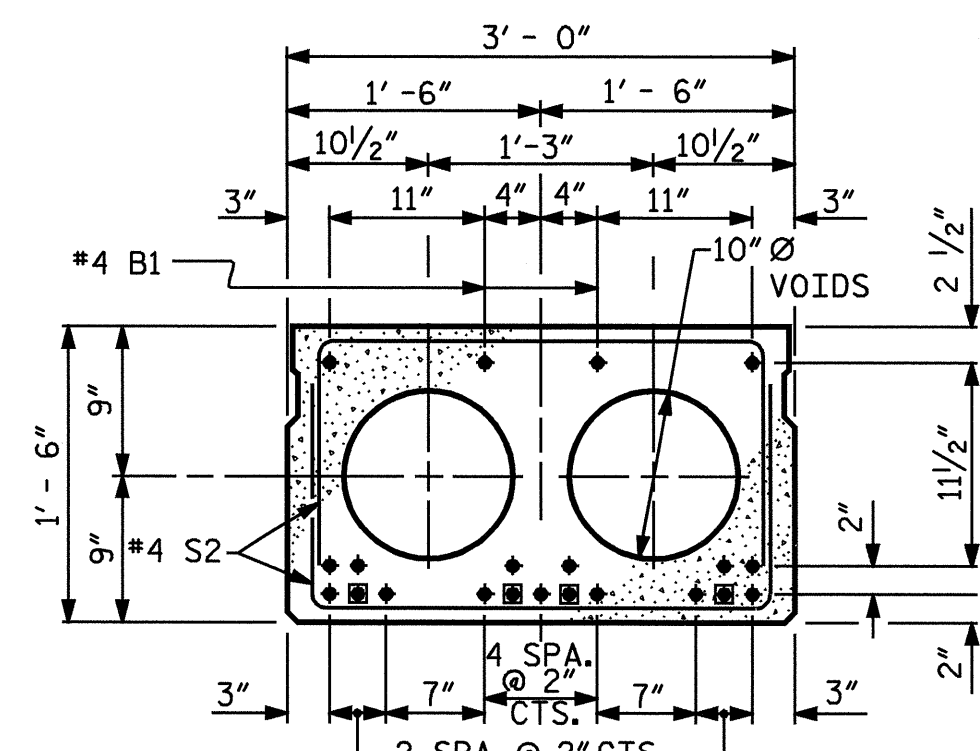


DETAIL A



EXTERIOR SLAB SECTION

(FOR PRESTRESSED STRAND LAYOUT, SEE INTERIOR SLAB SECTION.)

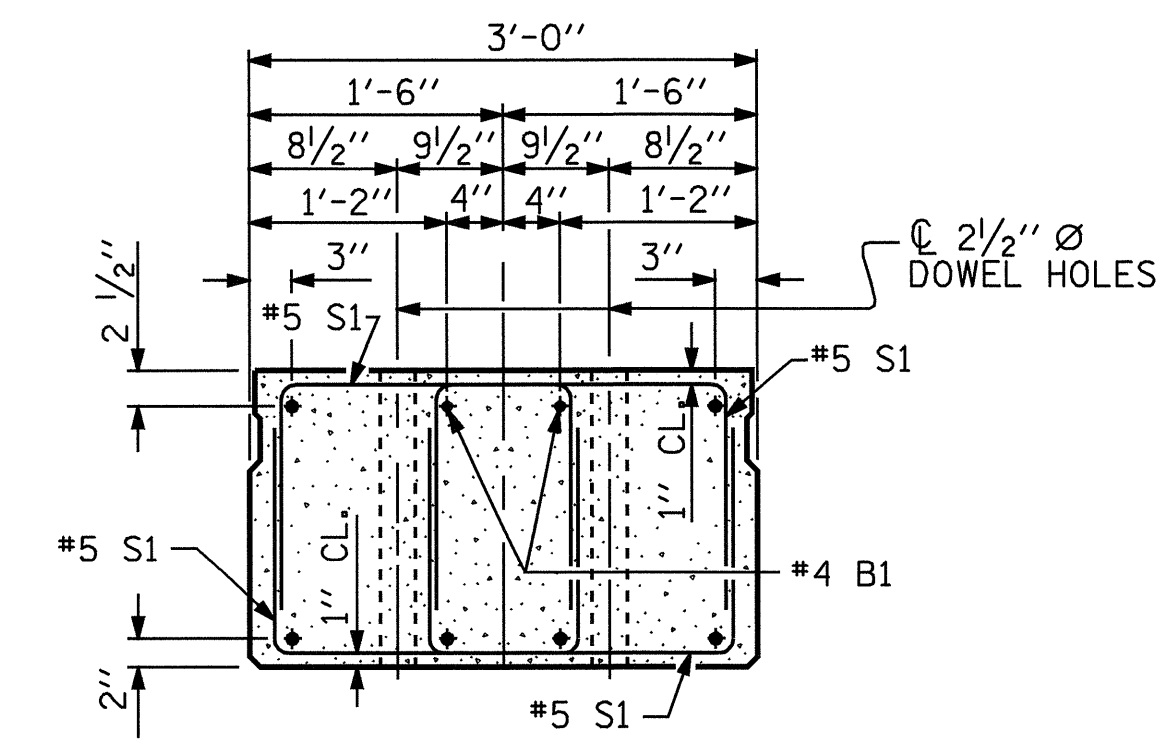


INTERIOR SLAB SECTION

1/2" Ø LOW RELAXATION STRAND LAYOUT

SPAN A (19 STRANDS)

■ BOND SHALL BE BROKEN ON THESE STRANDS FOR A DISTANCE OF 4'-0" FROM END OF CORED SLAB UNIT. SEE STANDARD SPECIFICATIONS, ARTICLE 1078-7



END ELEVATION

SHOWING PLACEMENT OF DOUBLE STIRRUPS AND LOCATION OF DOWEL HOLES. (STRAND LAYOUT NOT SHOWN.) INTERIOR SLAB SECTION SHOWN - EXTERIOR SLAB SECTION SIMILAR EXCEPT SHEAR KEY LOCATION.

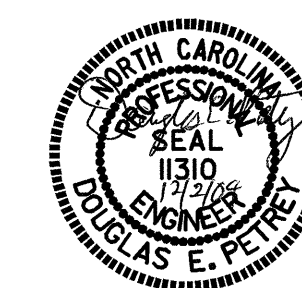
PROJECT NO. B-3926  
WATAUGA COUNTY  
STATION: 32+85.50 -L2-

SHEET 1 OF 3

STATE OF NORTH CAROLINA  
DEPARTMENT OF TRANSPORTATION  
RALEIGH

STANDARD  
3'-0" X 1'-6"  
PRESTRESSED CONCRETE  
CORED SLAB UNIT

REVISIONS						SHEET NO.
NO.	BY:	DATE:	NO.	BY:	DATE:	S-23
1			3			TOTAL SHEETS 36
2			4			



ASSEMBLED BY : B.N. GRADY	DATE : 7/03
CHECKED BY : P.C. BREWER	DATE : 7/03
DRAWN BY : WJH 4/89	REV. 8/16/99 RWW/LES
CHECKED BY : FCJ 5/89	REV. 10/17/00 RWW/LES
	REV. 7/10/01 RWW/LES