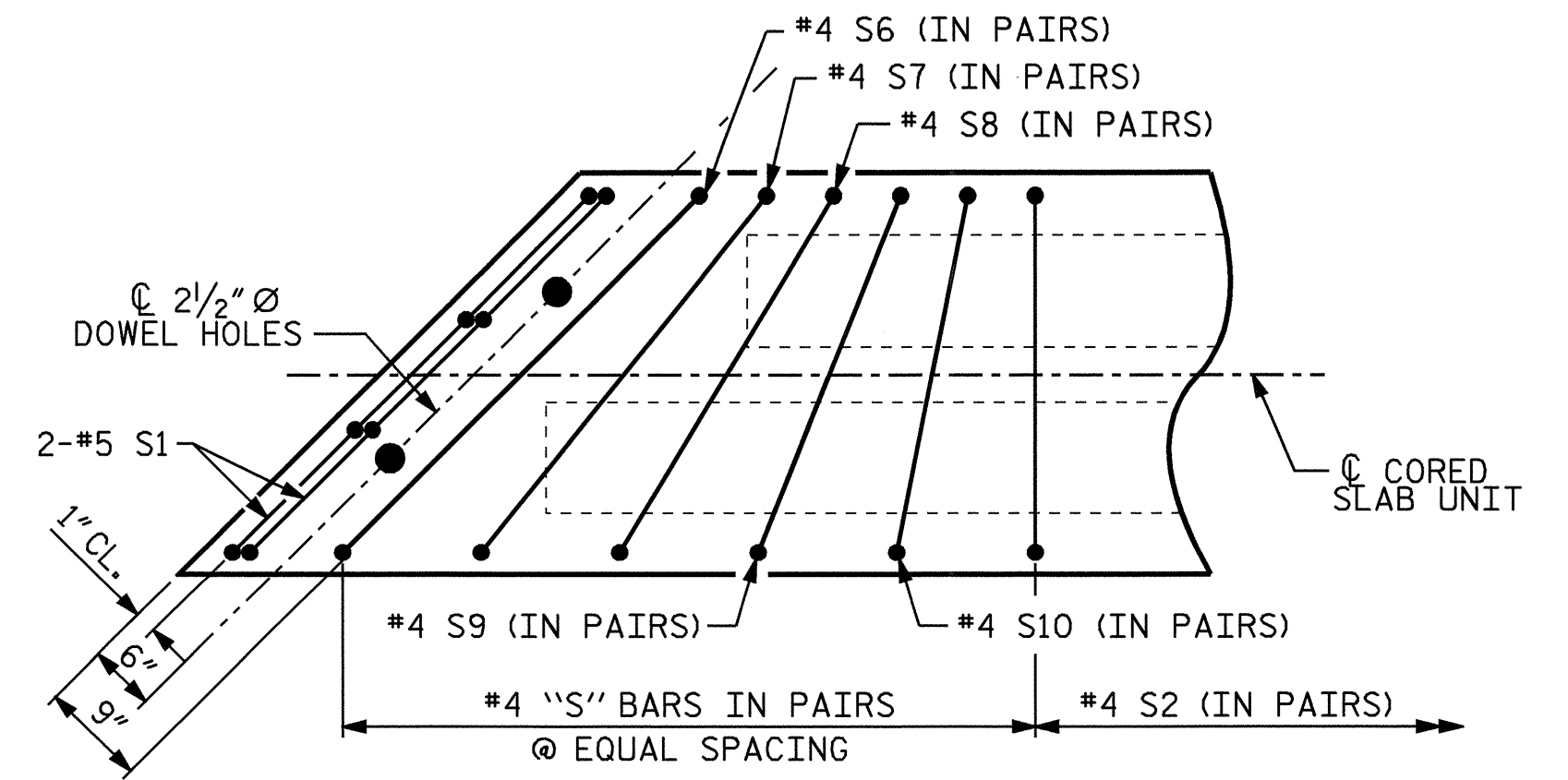
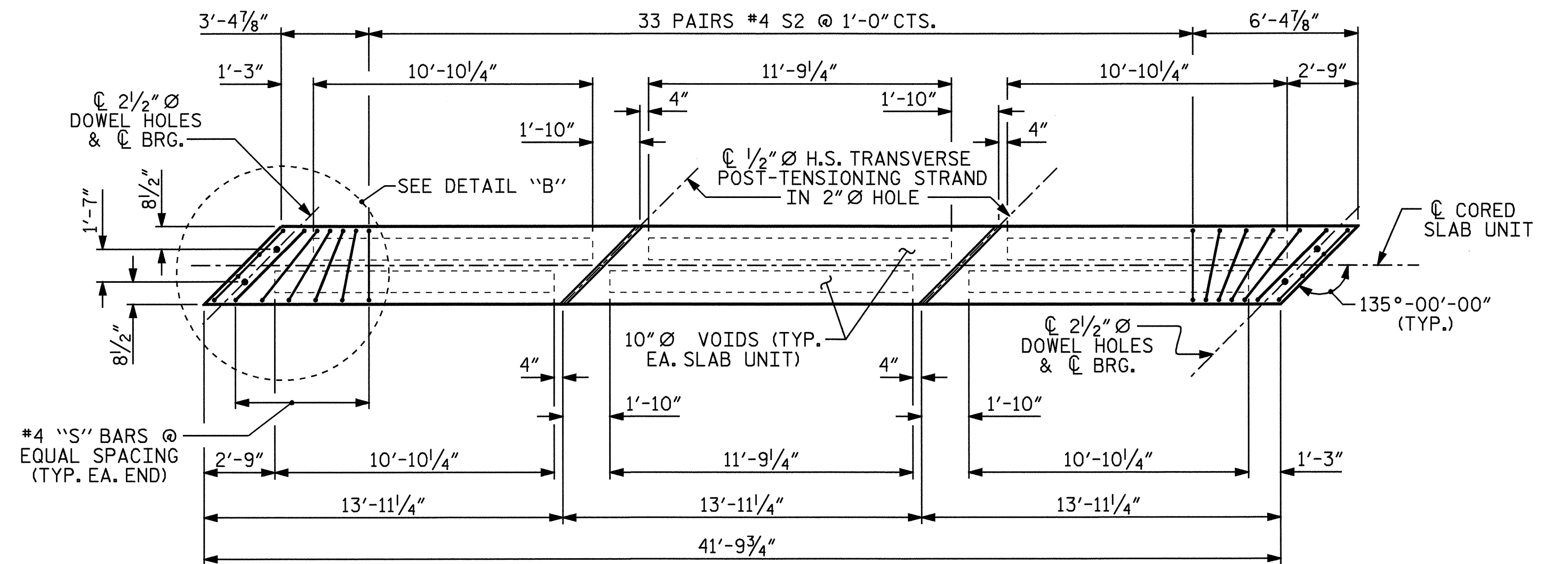


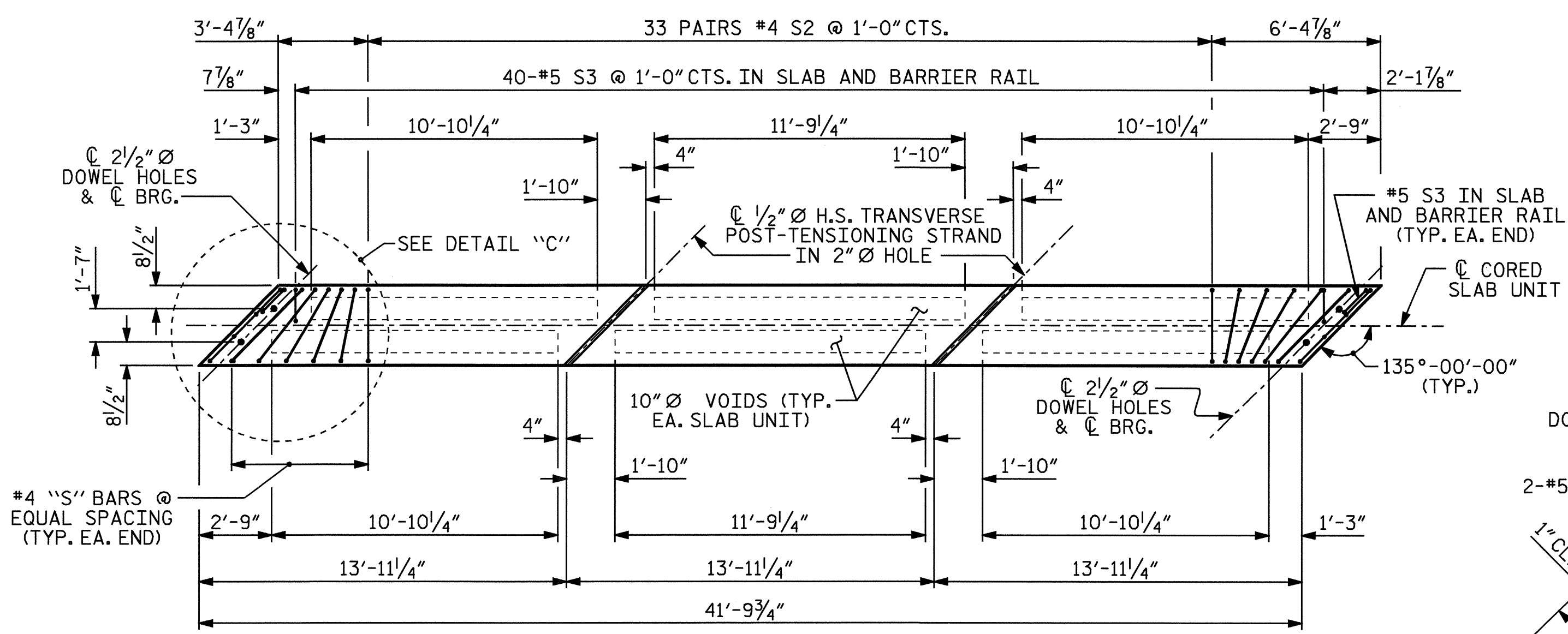
PLAN OF SPAN A



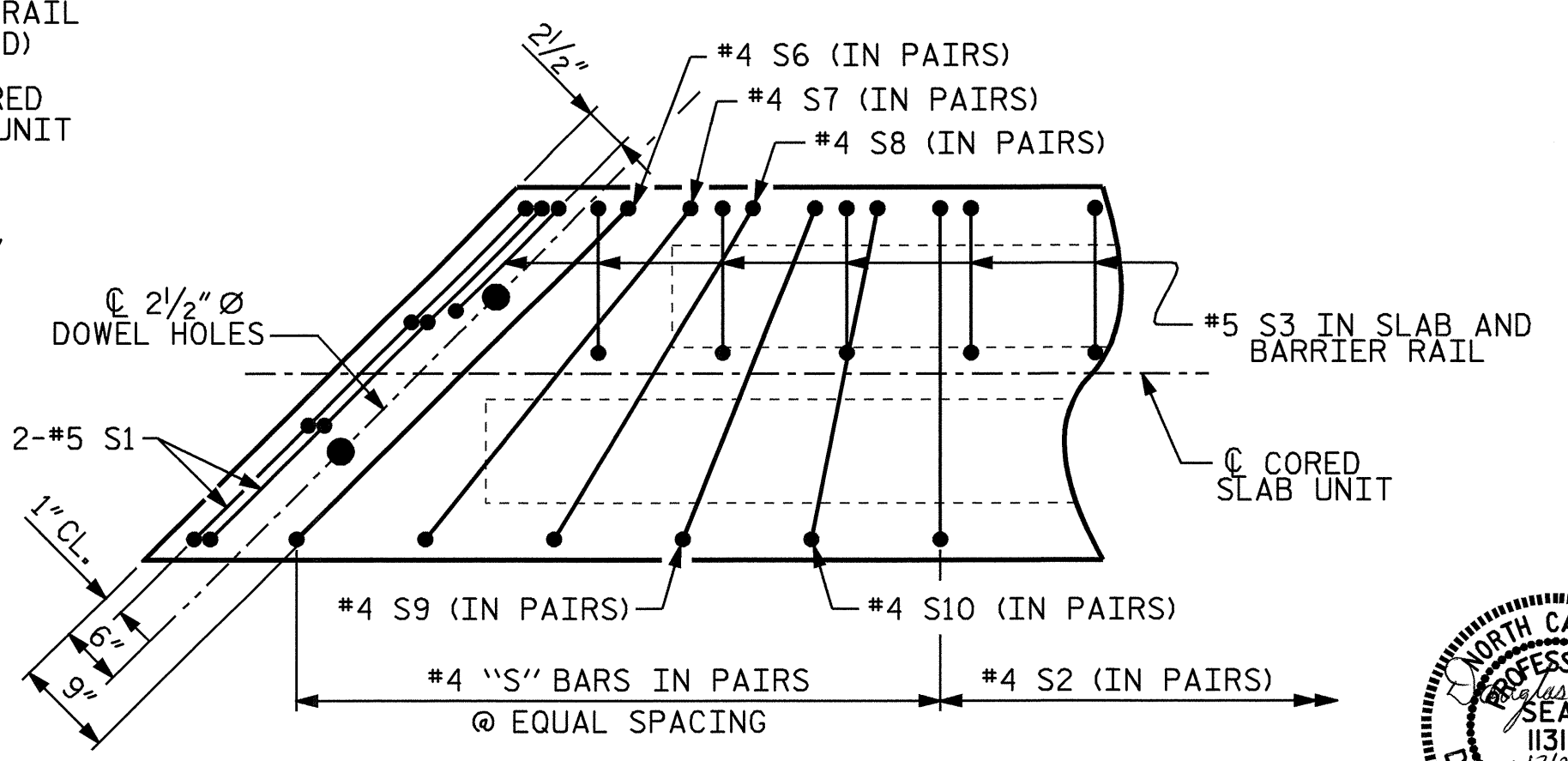
DETAIL "B"
(SIMILAR EA. END)



PLAN OF INTERIOR CORED SLAB UNIT



PLAN OF EXTERIOR CORED SLAB UNIT



DETAIL "C"
(SIMILAR EA. END)

PROJECT NO. B-3926
WATAUGA COUNTY
STATION: 32+85.50 -L2-
SHEET 2 OF 3

STATE OF NORTH CAROLINA DEPARTMENT OF TRANSPORTATION RALEIGH						SHEET NO. S-24
SUPERSTRUCTURE PLAN OF SPAN A						TOTAL SHEETS 36
REVISIONS						
NO.	BY:	DATE:	NO.	BY:	DATE:	
1			3			
2			4			

DRAWN BY : B.N. GRADY DATE : 7/03
CHECKED BY : P.C. BREWER DATE : 7/03

