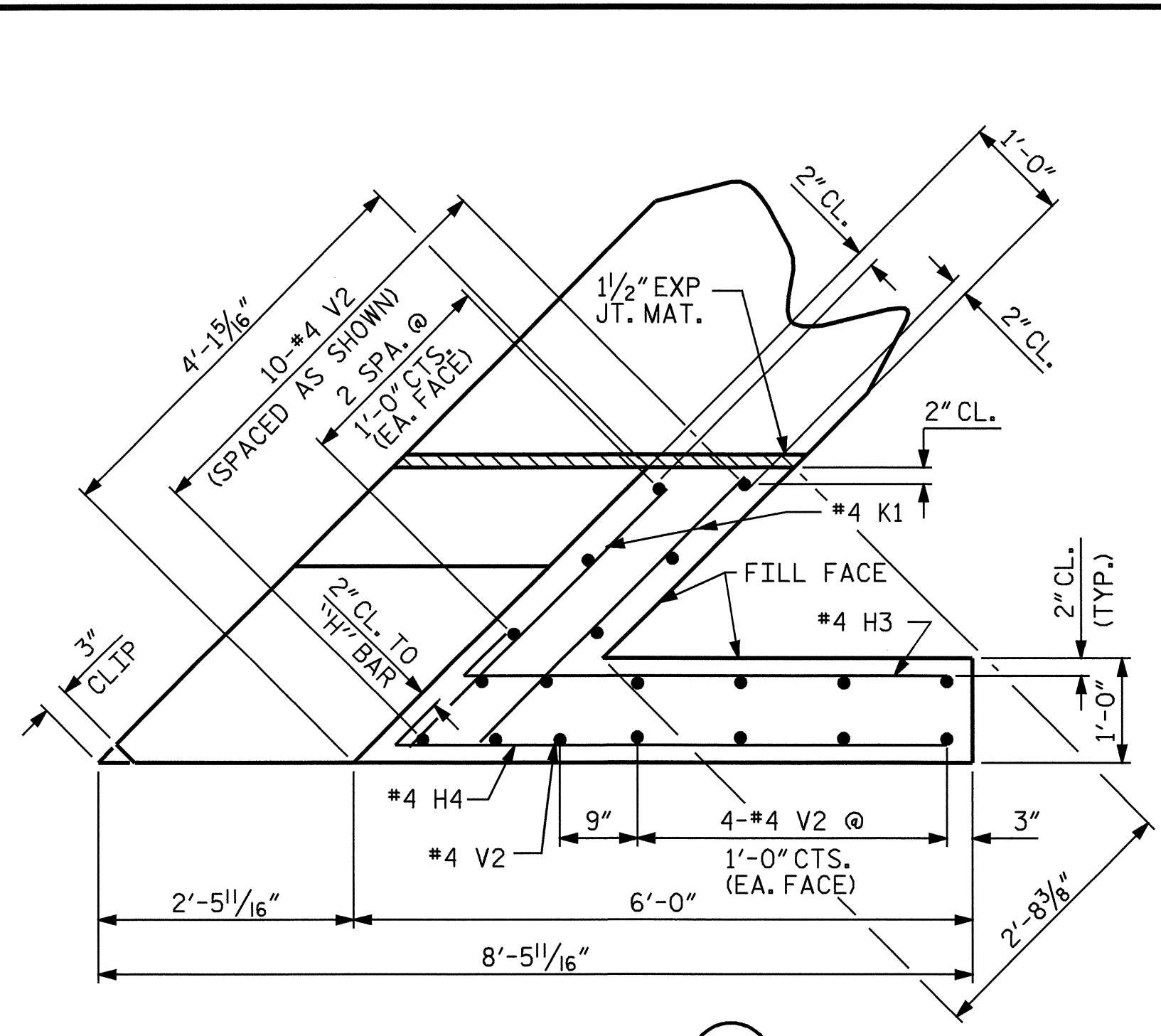
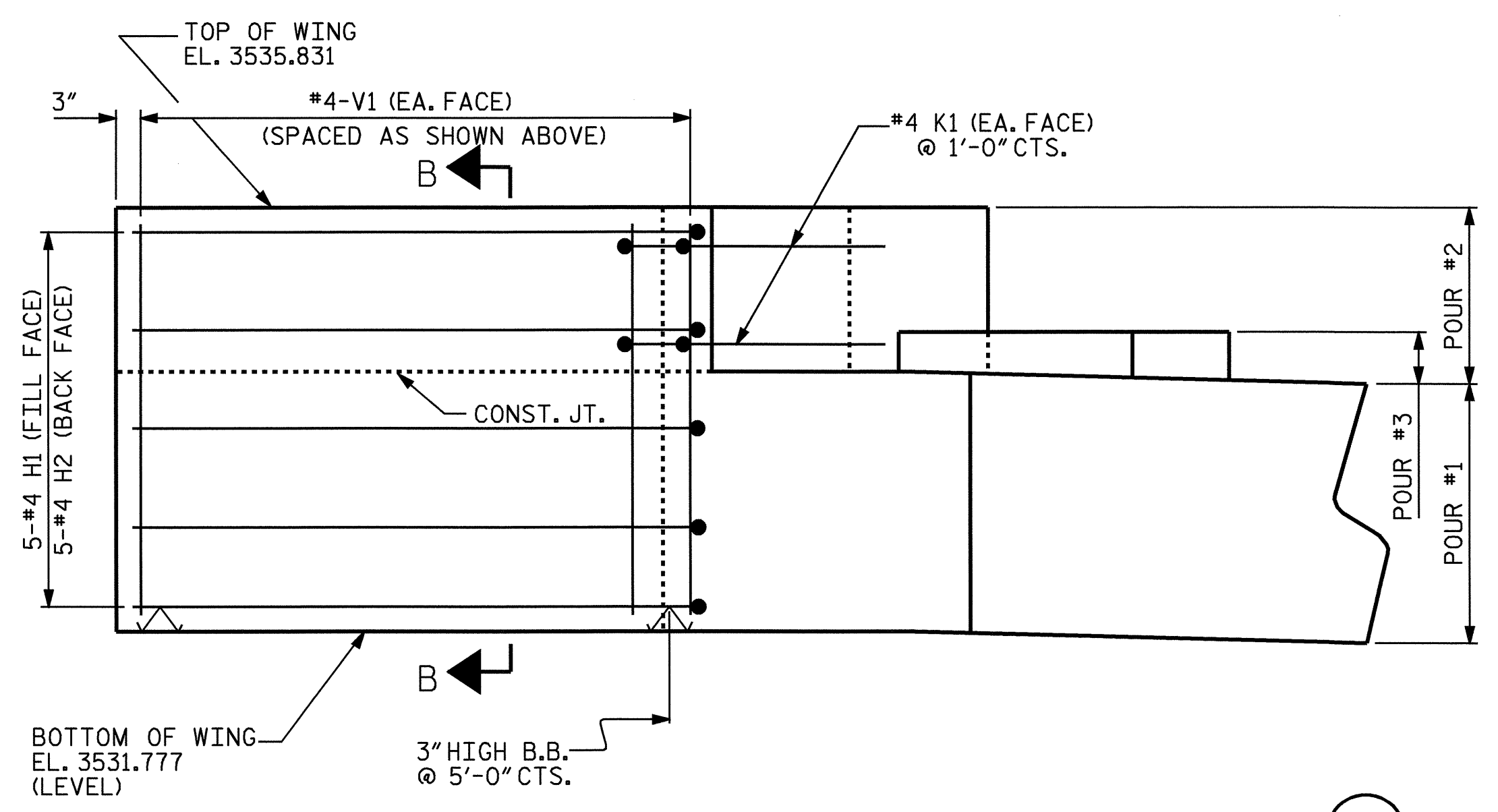


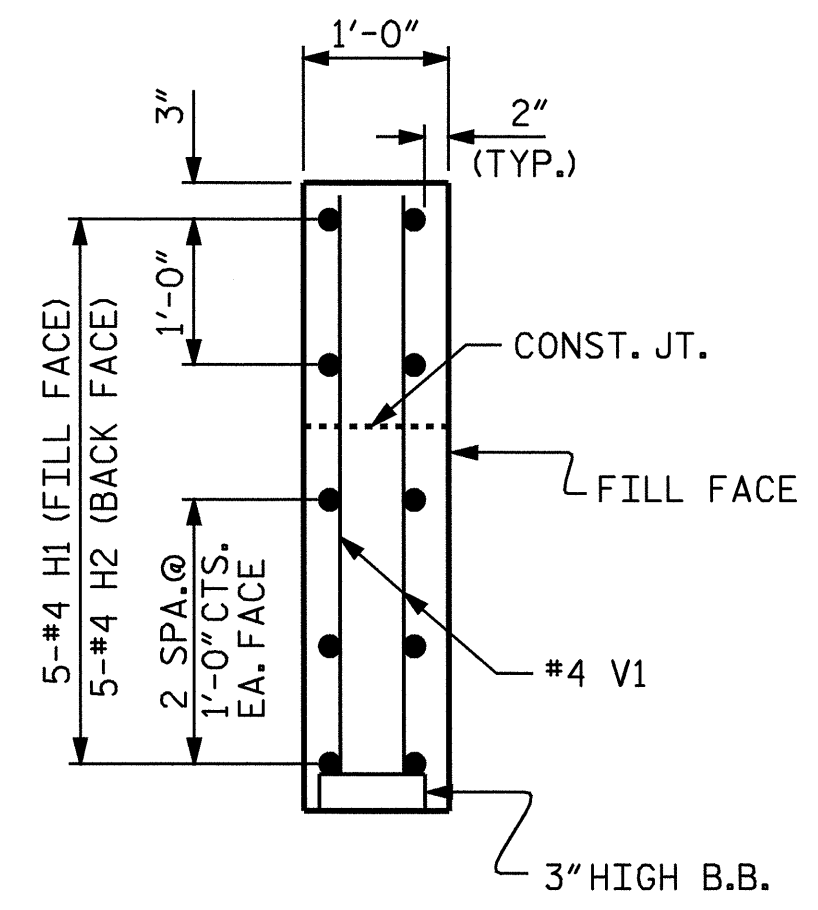
PLAN OF WING (W1)



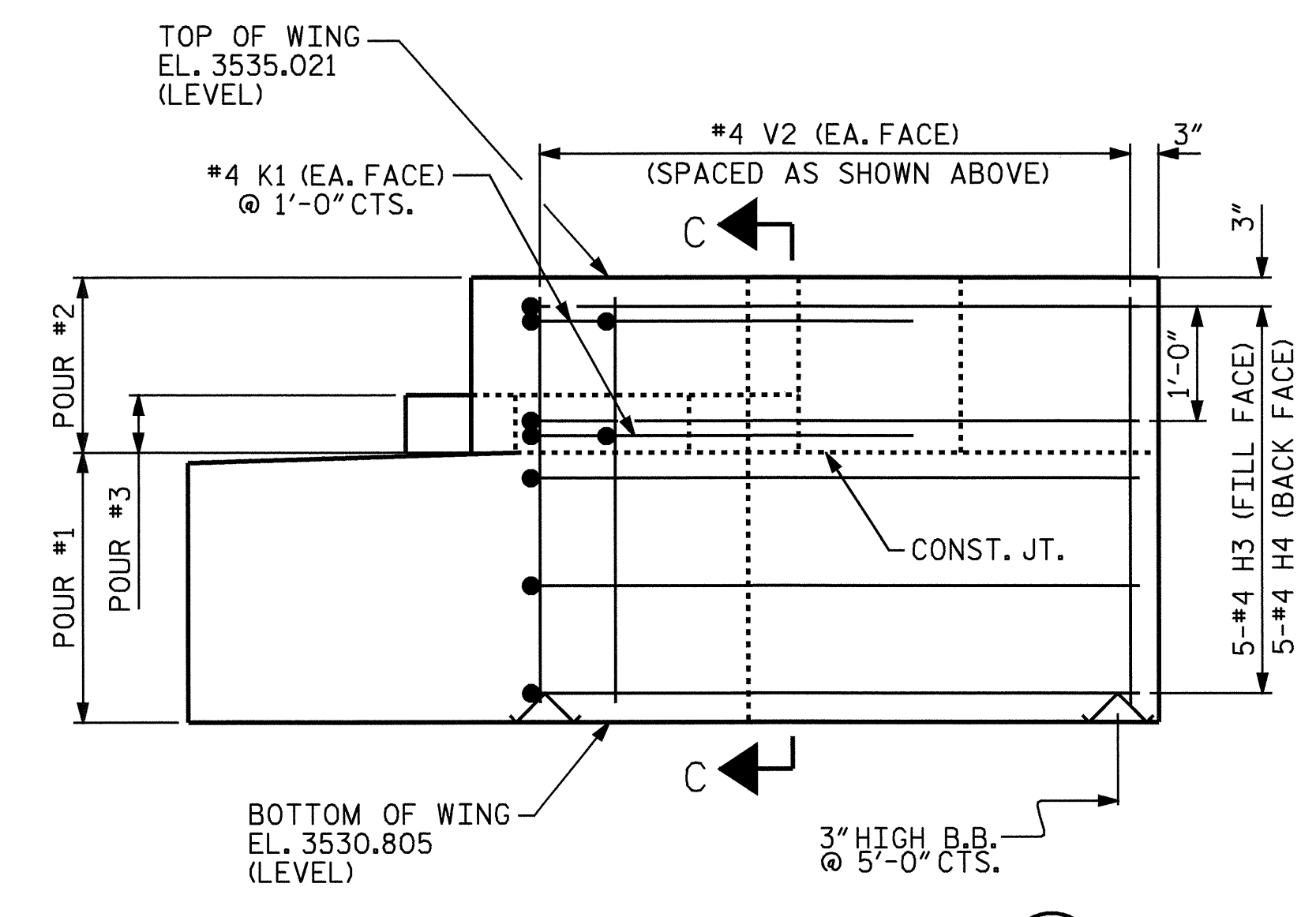
PLAN OF WING (W2)



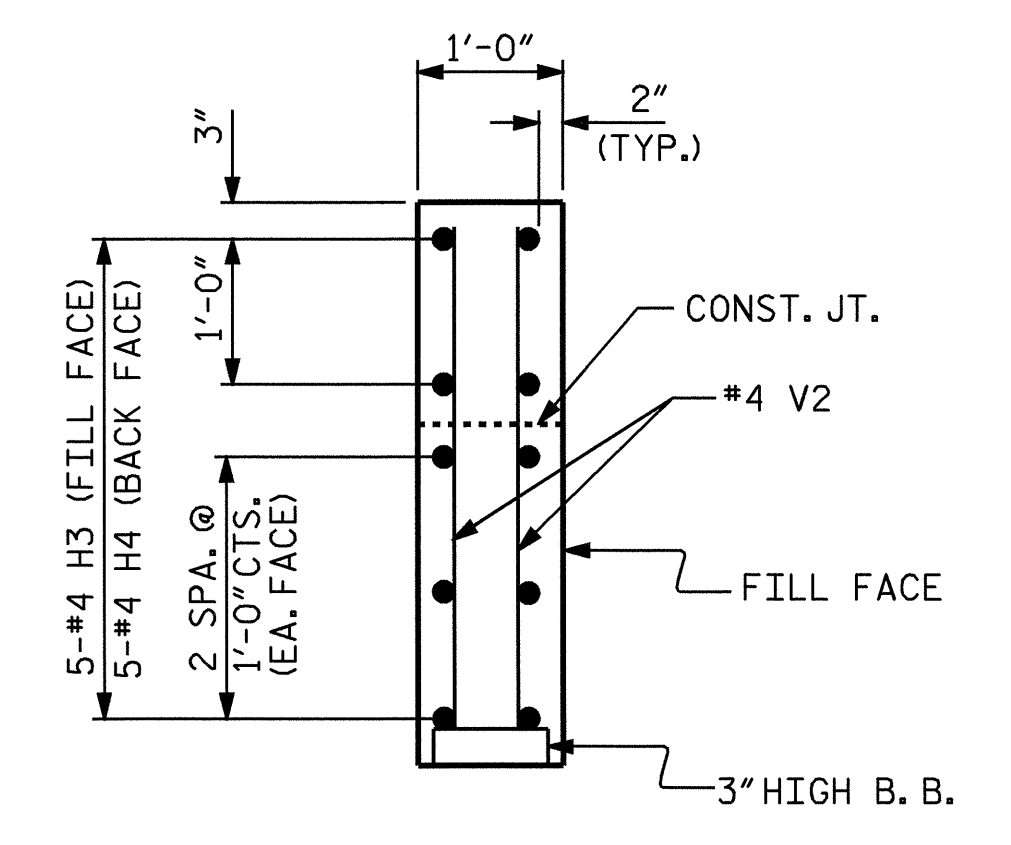
ELEVATION OF WING (W1)



SECTION B-B

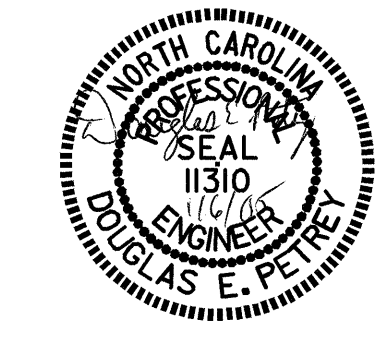


ELEVATION OF WING (W2)



SECTION C-C

DRAWN BY : R. G. EMERSON DATE : 07/03
CHECKED BY : B. N. GRADY DATE : 08/03



PROJECT NO. B-3926
WATAUGA COUNTY
STATION: 32+85.50 -L2-

SHEET 2 OF 3
STATE OF NORTH CAROLINA
DEPARTMENT OF TRANSPORTATION
RALEIGH
SUBSTRUCTURE
END BENT No. 2

REVISIONS						SHEET NO.	
NO.	BY:	DATE:	NO.	BY:	DATE:	S-30	
1			3			TOTAL SHEETS	
2			4			36	