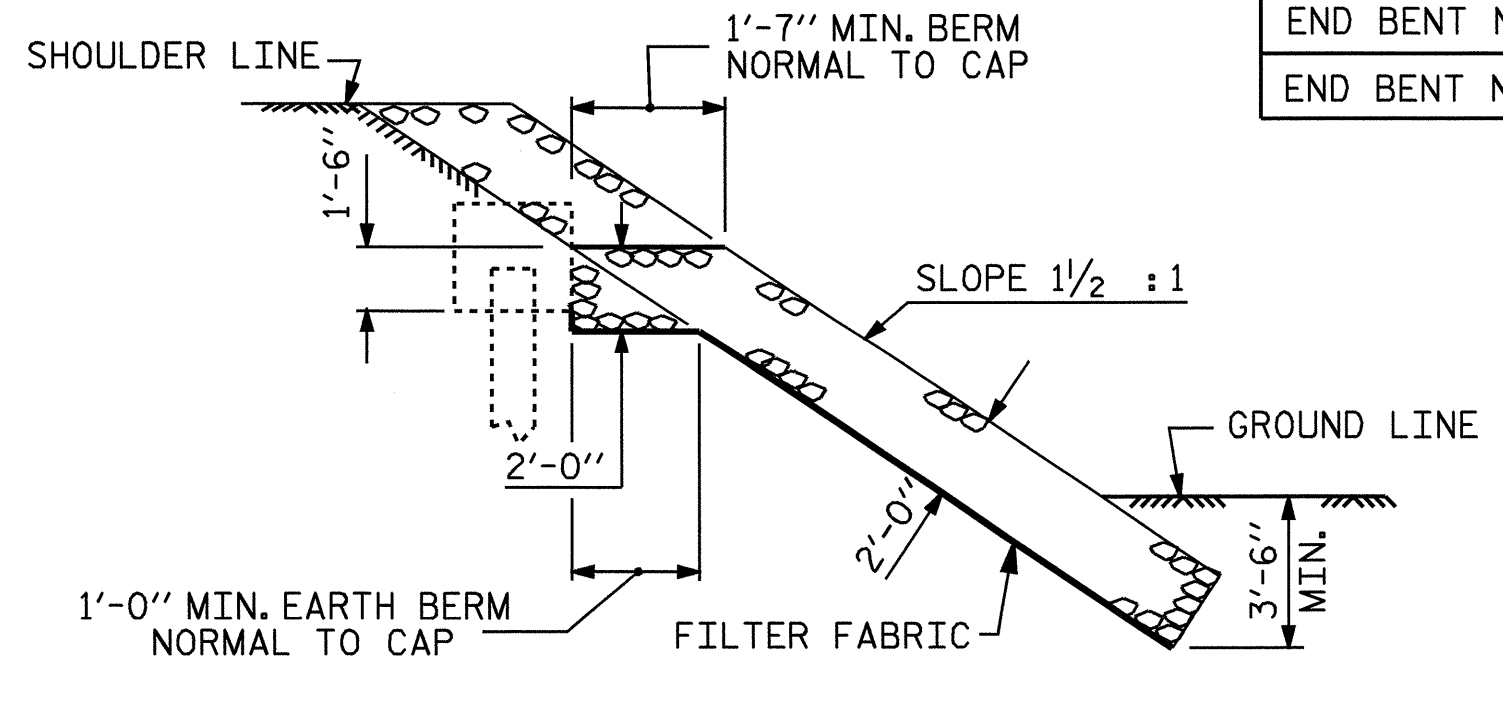
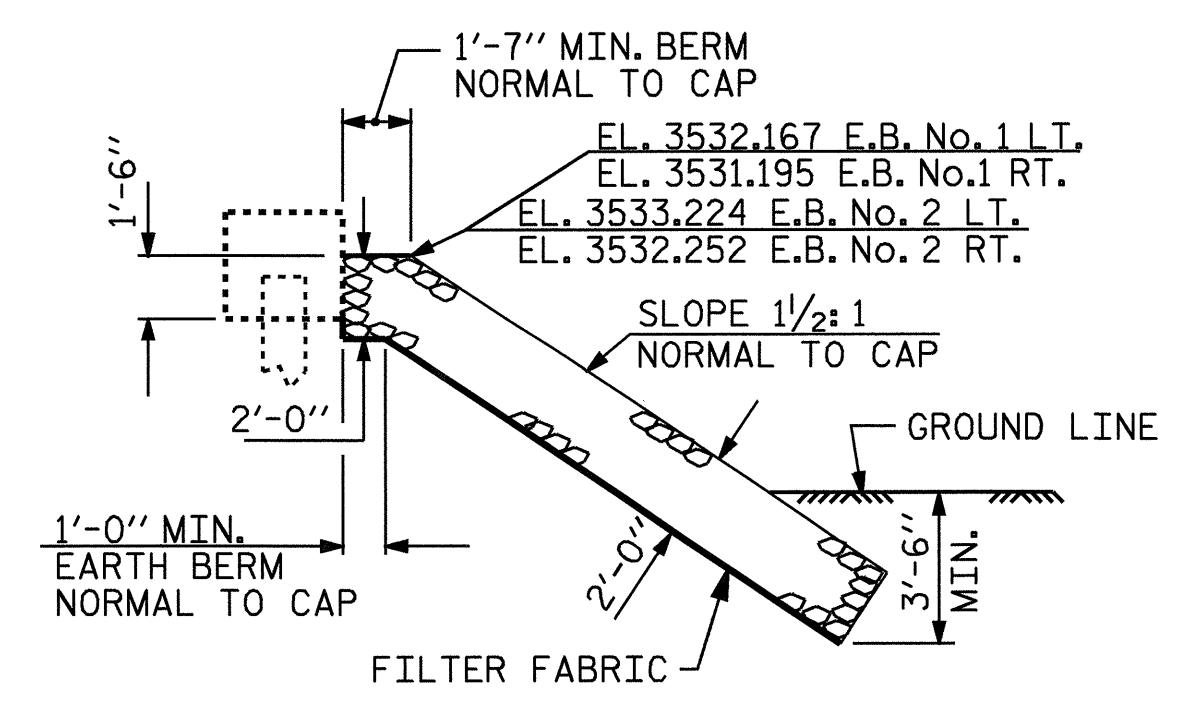


PLAN OF RIP RAP

ESTIMATED QUANTITIES		
BRIDGE @ STA. 32+85.50 -L2-	PLAIN RIP RAP CLASS II	FILTER FABRIC FOR DRAINAGE
	TONS	SQUARE YARDS
END BENT No. 1	75	83
END BENT No. 2	95	106



PROJECT NO. B-3926
WATAUGA COUNTY
 STATION: 32+85.50 -L2-

STATE OF NORTH CAROLINA
 DEPARTMENT OF TRANSPORTATION
 RALEIGH
 STANDARD
 RIP RAP DETAILS



DRAWN BY : R. G. EMERSON DATE : 05/04
 CHECKED BY : B. N. GRADY DATE : 06/04

REVISIONS						SHEET NO.
NO.	BY:	DATE:	NO.	BY:	DATE:	TOTAL SHEETS
1			3			36
2			4			