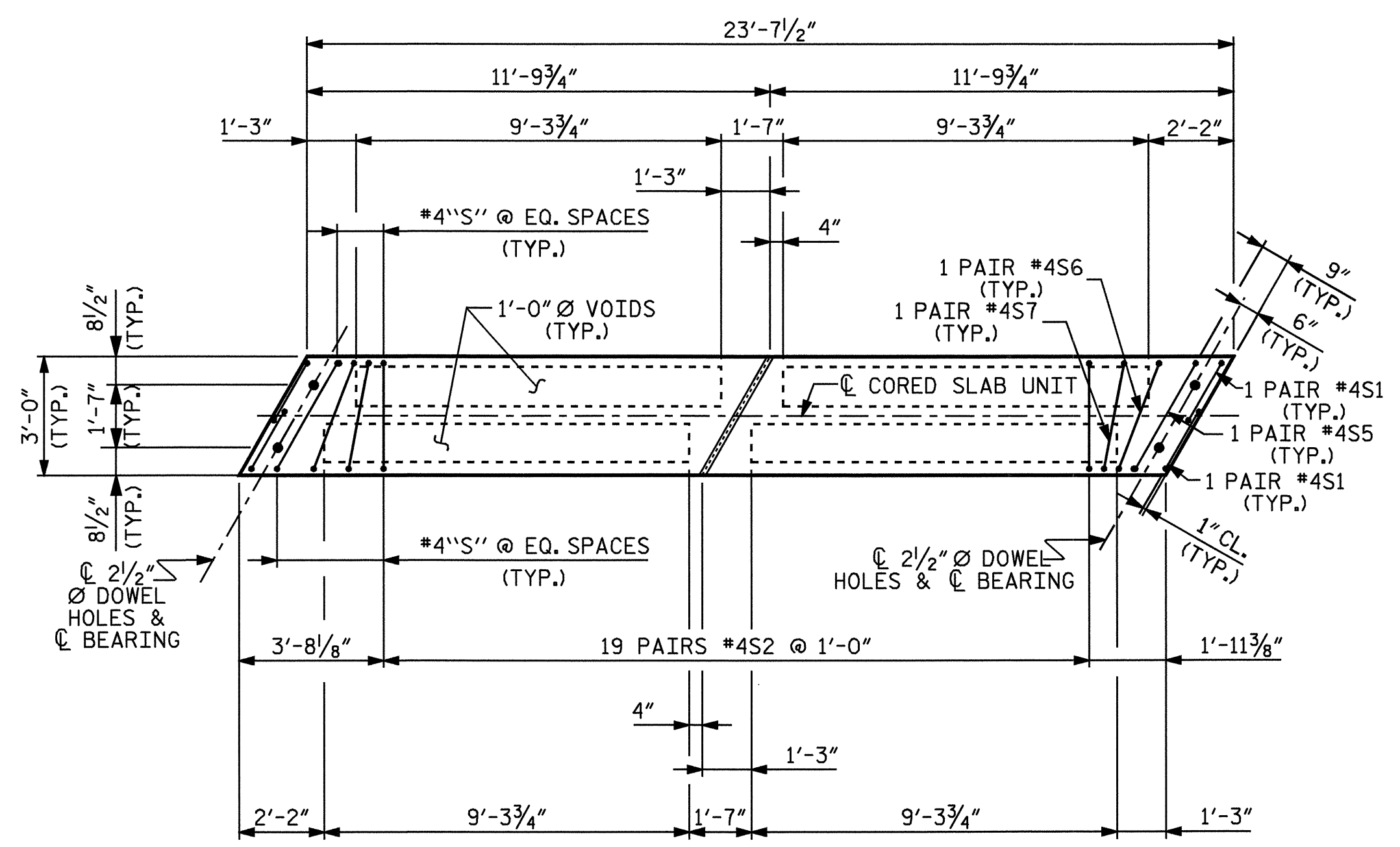
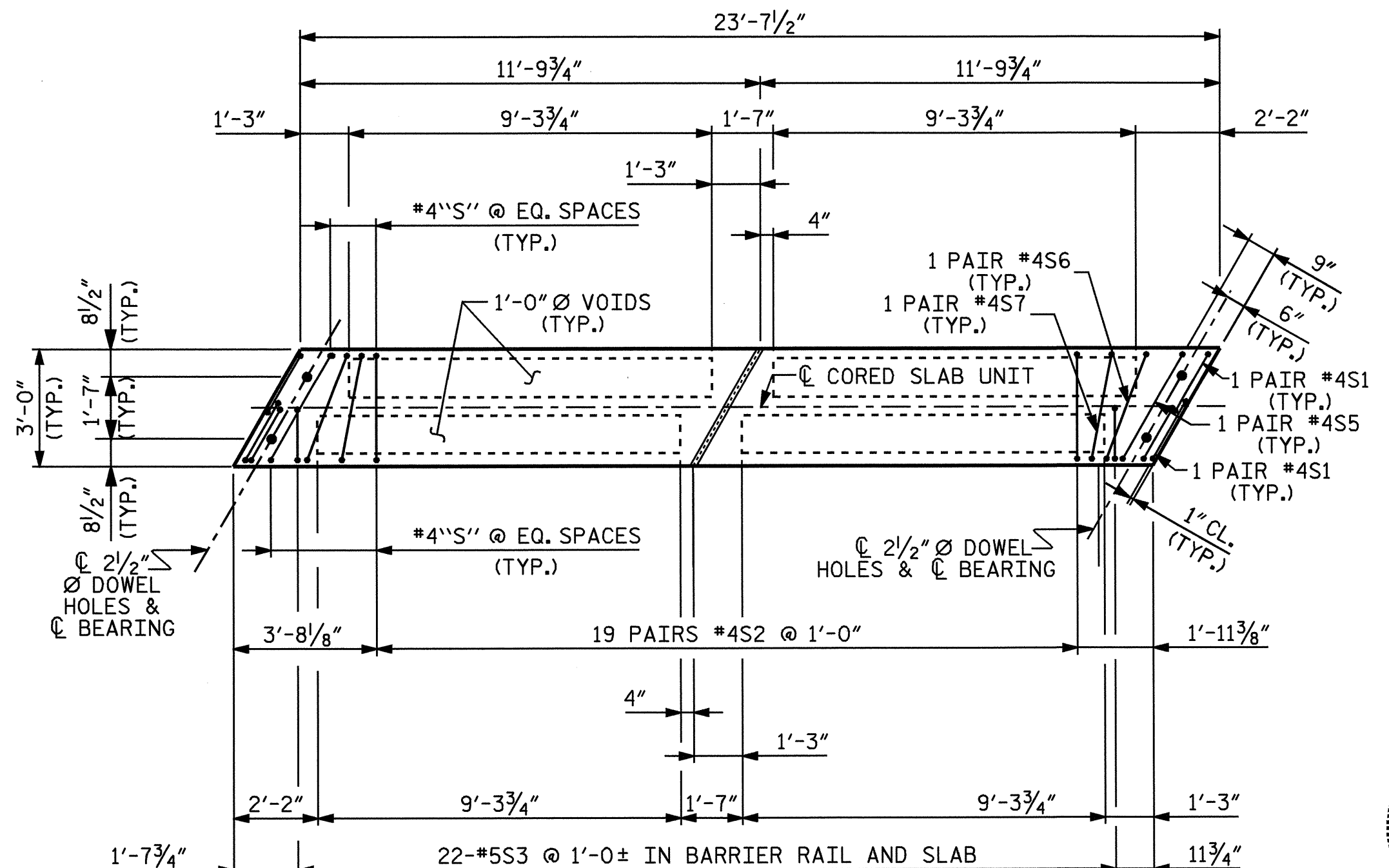


PLAN OF SPAN A



PLAN OF INTERIOR CORED SLAB UNIT

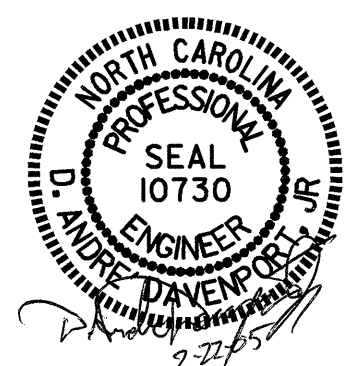


PLAN OF EXTERIOR CORED SLAB UNIT

PROJECT NO. B-4260
 RUTHERFORD COUNTY
 STATION: 16+23.47-L-

SHEET 2 OF 5

STATE OF NORTH CAROLINA
 DEPARTMENT OF TRANSPORTATION
 RALEIGH
 SUPERSTRUCTURE
 PLAN OF SPAN A



REVISIONS						SHEET NO.	
NO.	BY:	DATE:	NO.	BY:	DATE:	S-5	
1			3			TOTAL SHEETS	
2			4			22	

DRAWN BY : H. TOM BARBOUR DATE : 7-15-04
 CHECKED BY : D. A. DAVENPORT DATE : 7-04

22-FEB-2005 09:35
 W:\squad\B4260\barbour\Microstation\B-4260.sd.CS_01.dgn
 adavenport

NC006