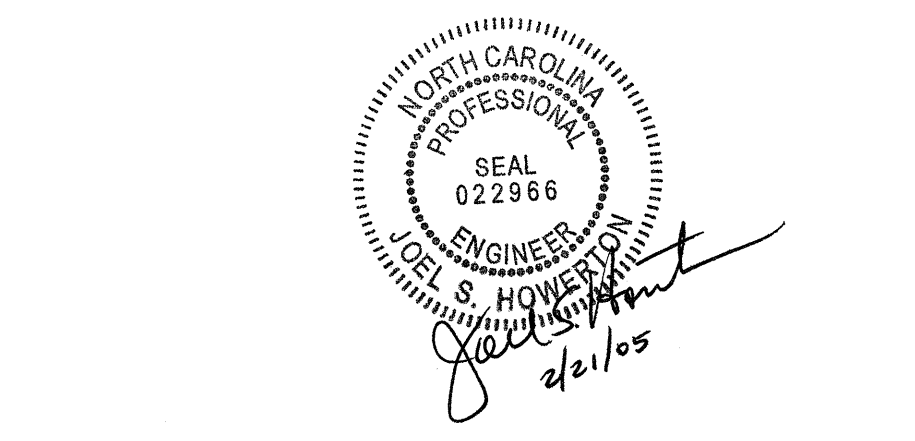
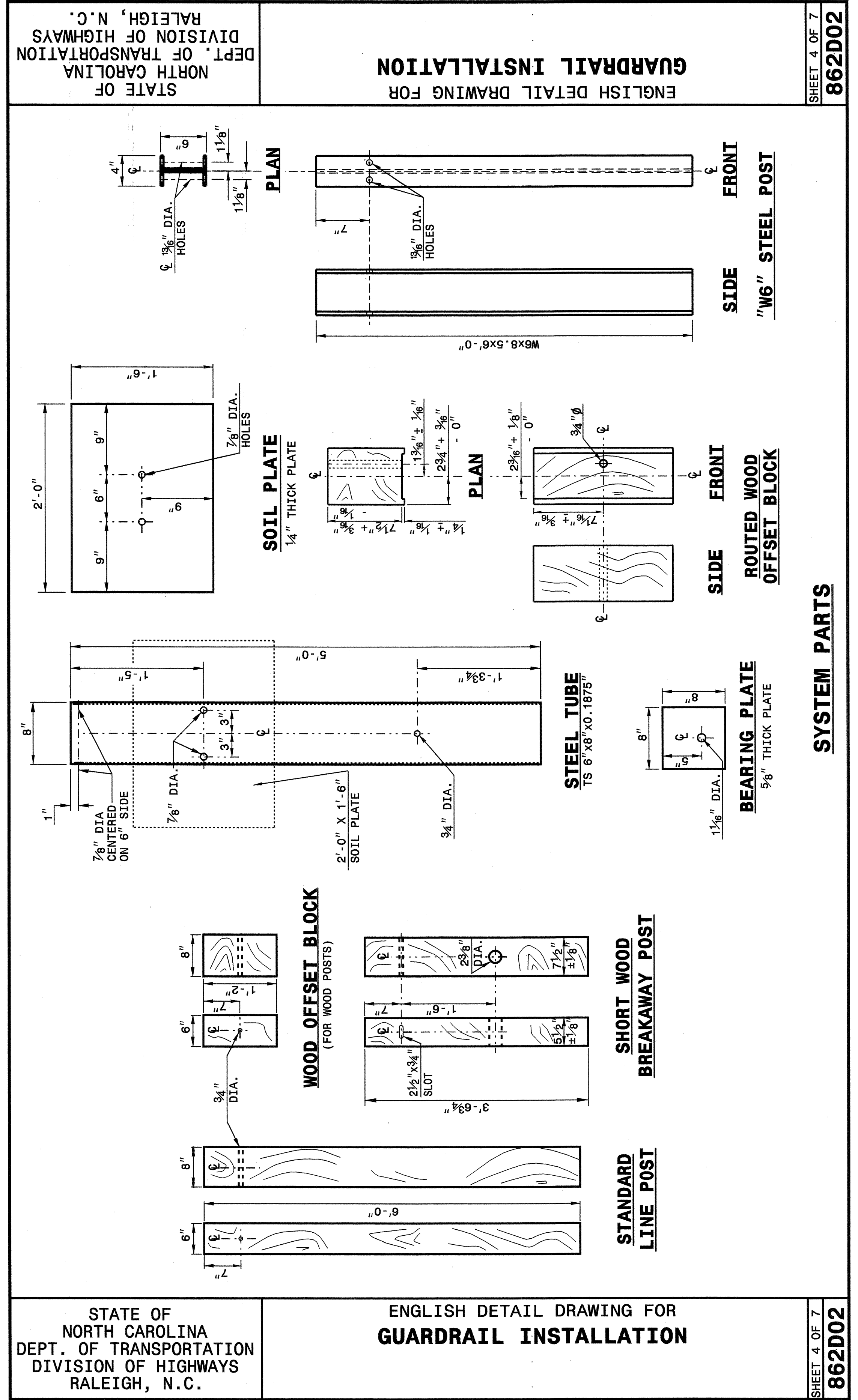
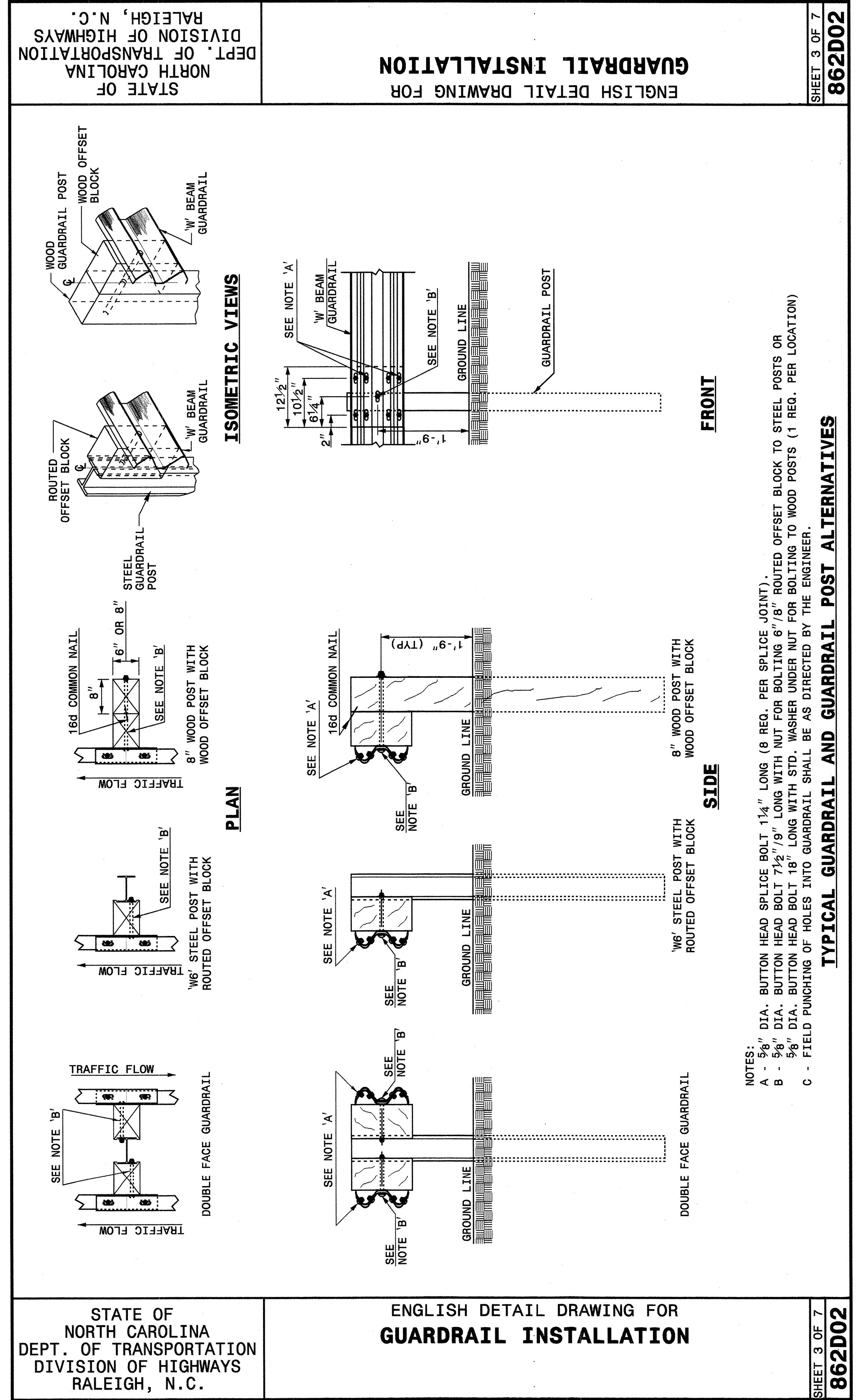


23-APR-2004 10:01  
 W:\Special Details\English\stds\02\stds to Special Details\english\862d02\0862d02.dgn  
 5/14/99



**DESIGN SERVICES UNIT STANDARDS AND SPECIAL DESIGN**  
 Office 919-250-4128 FAX 919-250-4119

**SEE PLATE FOR TITLE**

ORIGINAL BY: 2002 STD.862.02 DATE: 02-09-03  
 MODIFIED BY: E.E. WARD DATE: 02-09-03  
 CHECKED BY: J.S. Howerton DATE: 2-29-04  
 FILE SPEC.: \\usr\stds\02todetail\english\862d02\862d02.dgn