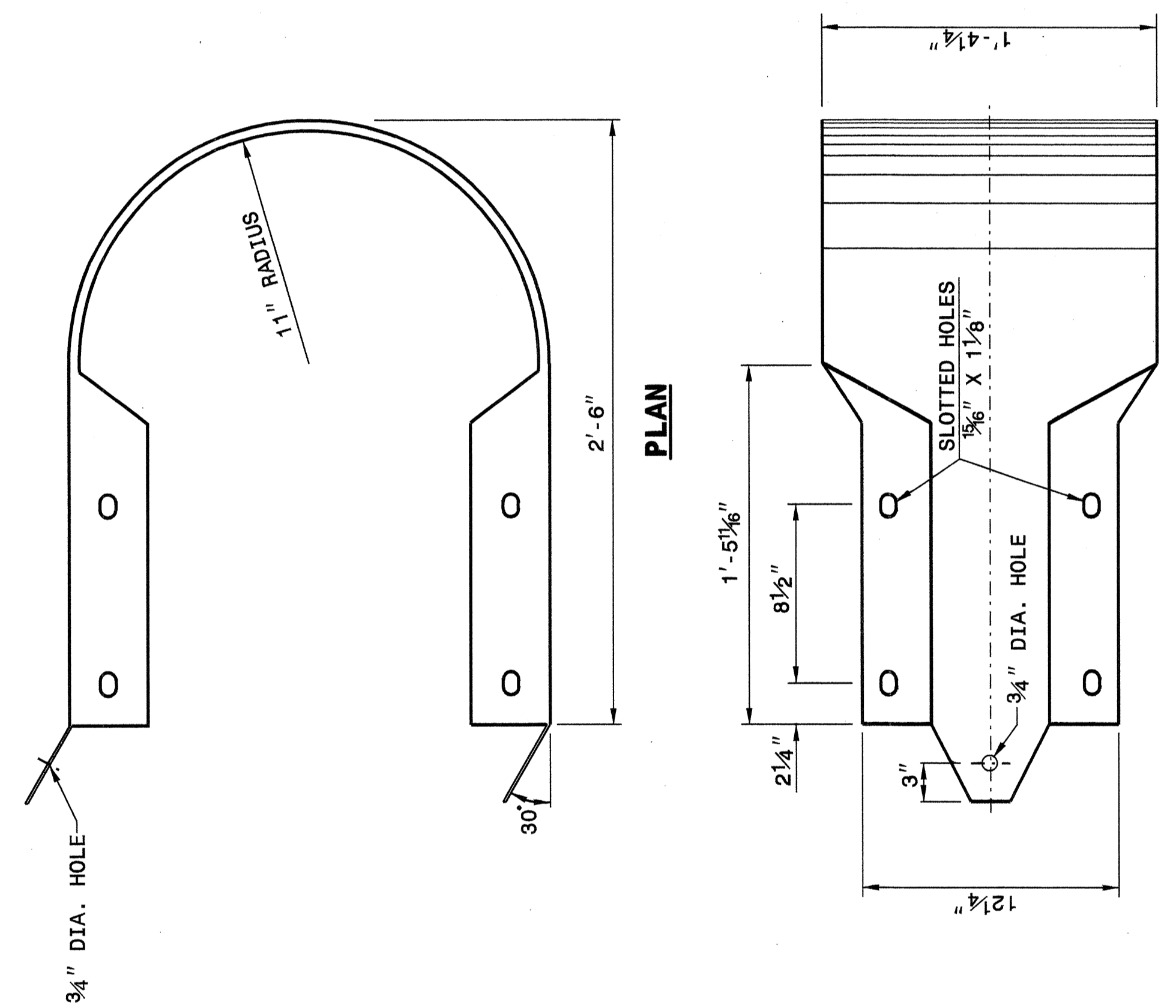


STATE OF  
NORTH CAROLINA  
DEPT. OF TRANSPORTATION  
DIVISION OF HIGHWAYS  
RALEIGH, N.C.

ENGLISH DETAIL DRAWING FOR  
GUARDRAIL INSTALLATION

SHEET 7 OF 7  
862D02

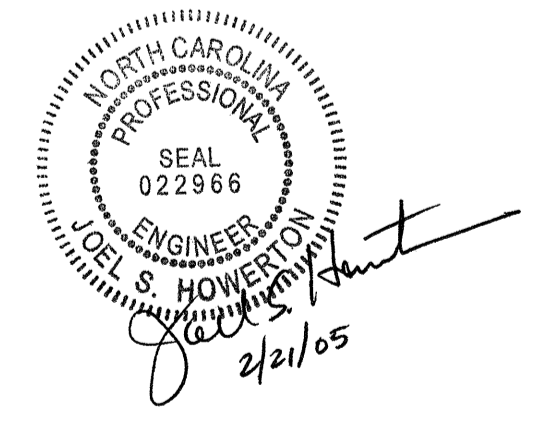


ELEVATION  
BUFFERED END SECTION

STATE OF  
NORTH CAROLINA  
DEPT. OF TRANSPORTATION  
DIVISION OF HIGHWAYS  
RALEIGH, N.C.

ENGLISH DETAIL DRAWING FOR  
GUARDRAIL INSTALLATION

SHEET 7 OF 7  
862D02



DESIGN SERVICES UNIT  
STANDARDS AND SPECIAL DESIGN  
Office 919-250-4128 FAX 919-250-4119

SEE PLATE FOR TITLE

ORIGINAL BY: 2002 STD.862.02 DATE: \_\_\_\_\_  
 MODIFIED BY: E.E. WARD DATE: 02-09-03  
 CHECKED BY: *Orl S. Howerton* DATE: 4-29-04  
 FILE SPEC.: /usr/stds/02todetail/english/86202/862d02.dgn

23-APR-2004 11:01 AM  
 W:\Special Details\guard\stds\02\stds to Special Details/english\86202\0862d02.dgn  
 sentward At 05/14/05