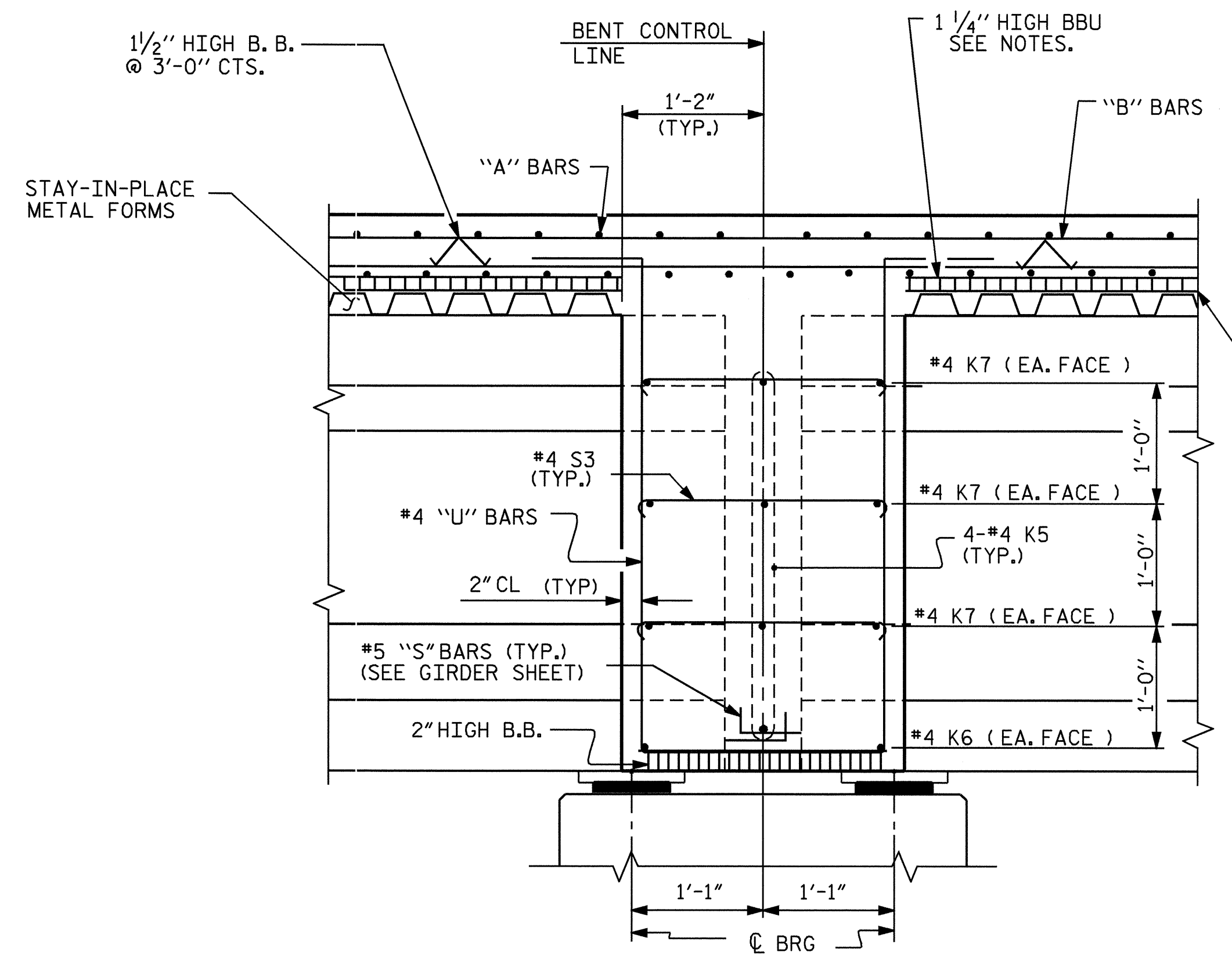
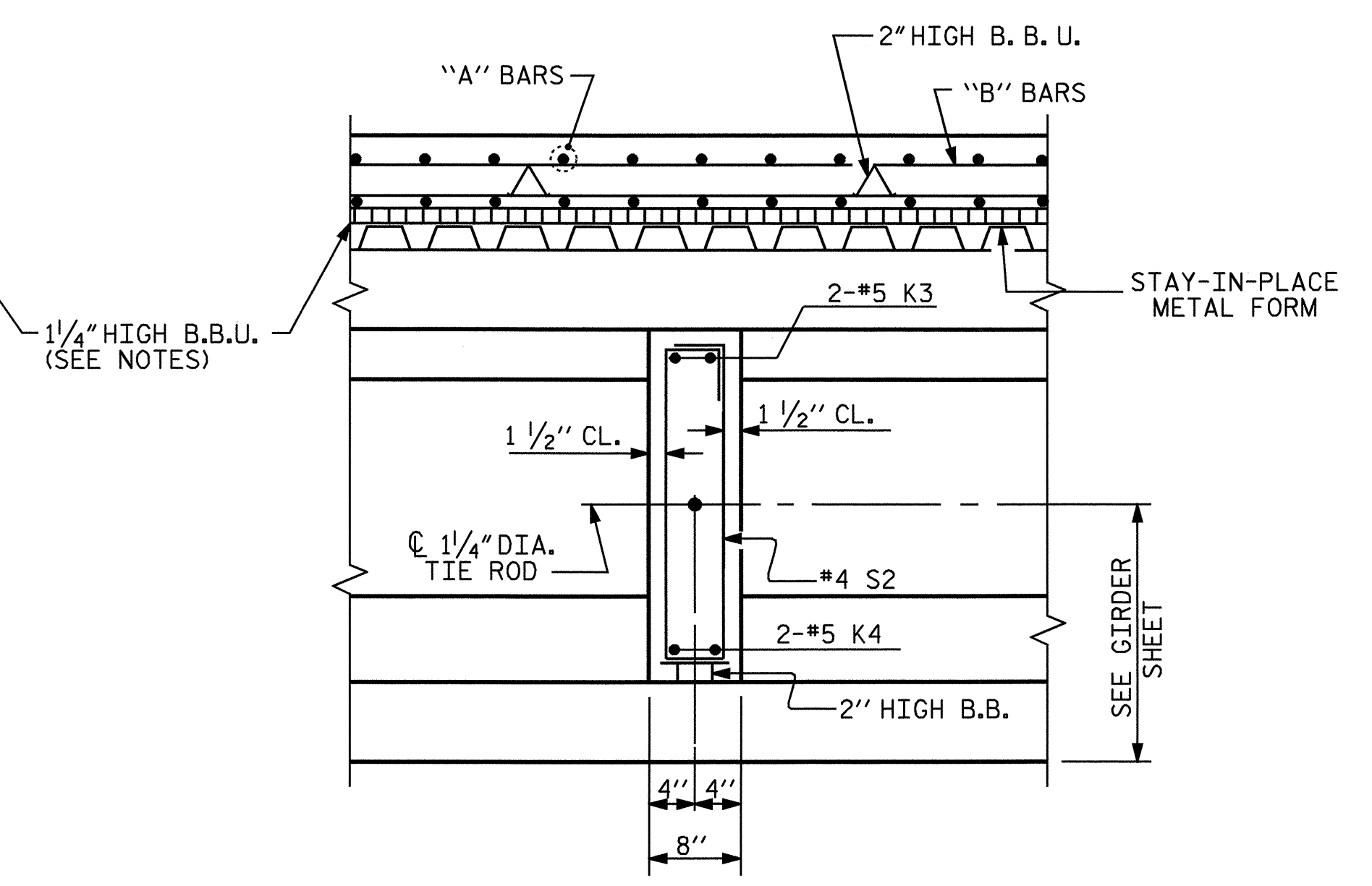


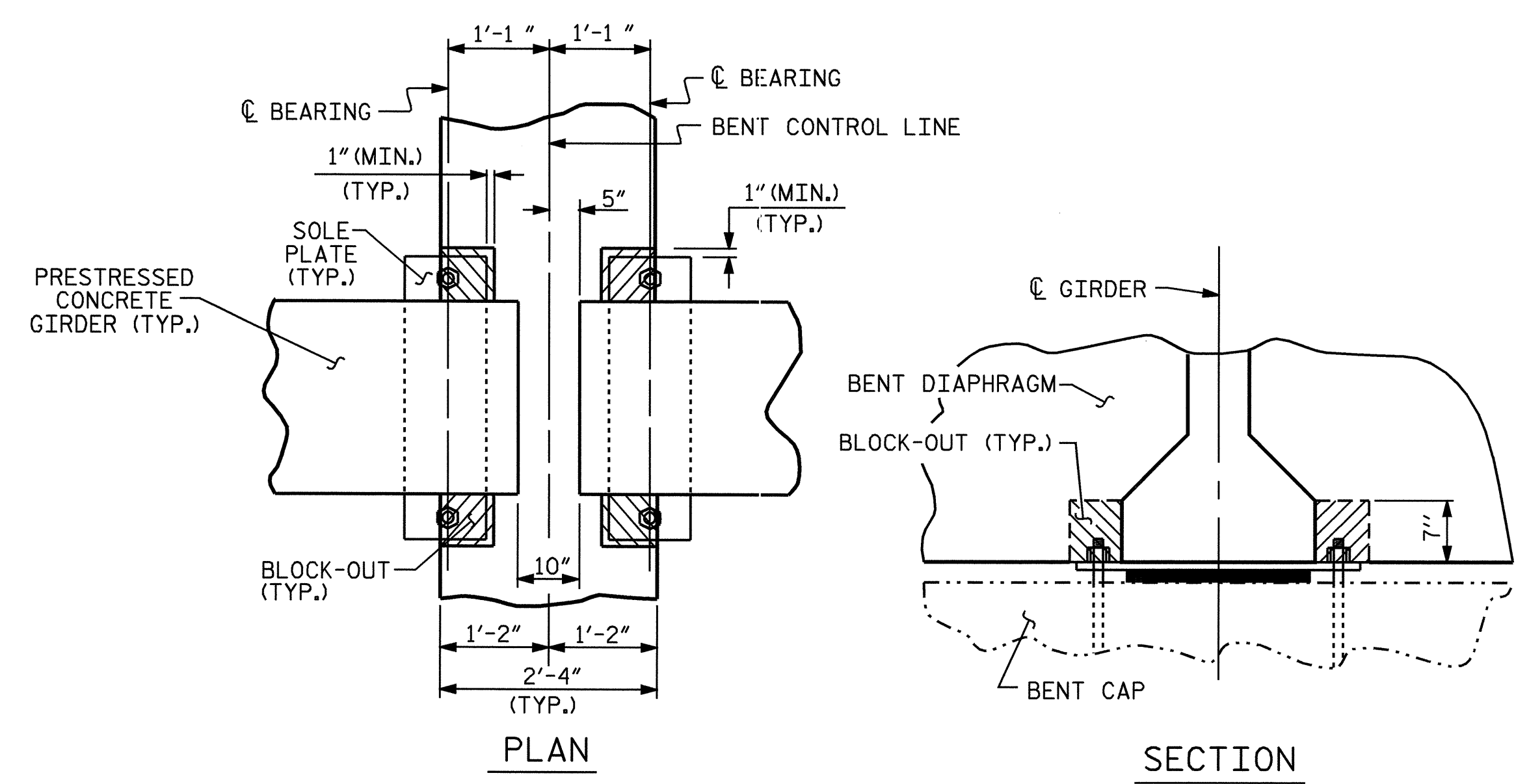
SECTION THRU
END BENT DIAPHRAGMS



SECTION THRU
BENT DIAPHRAGMS



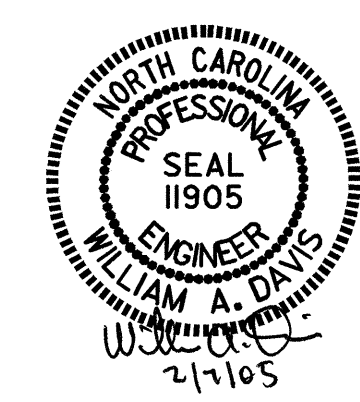
SECTION THRU
INTERMEDIATE DIAPHRAGMS



BENT DIAPHRAGM BLOCKOUT DETAIL
(TYP. AT BENTS)

PROJECT NO. B-3875
MOORE COUNTY
 STATION: 17+70.00 -L-
 SHEET 2 OF 2

STATE OF NORTH CAROLINA
 DEPARTMENT OF TRANSPORTATION
 RALEIGH
 SUPERSTRUCTURE
 TYPICAL SECTION
 DETAILS



DRAWN BY : J.D. HAWK DATE : 7/03
 CHECKED BY : J.G. KHARVA DATE : 7/03

REVISIONS						SHEET NO.
NO.	BY:	DATE:	NO.	BY:	DATE:	S-5
1			3			TOTAL SHEETS
2			4			33