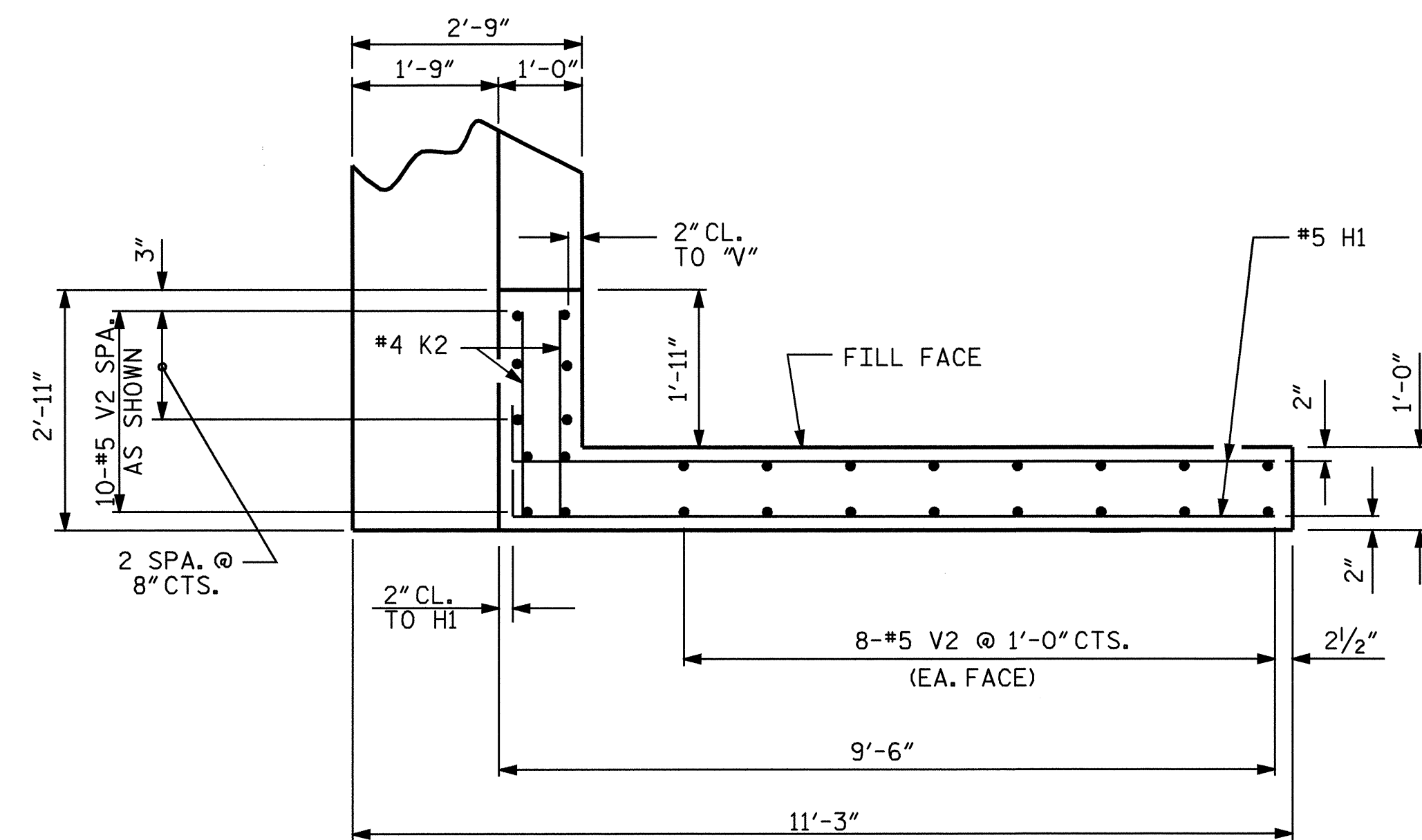
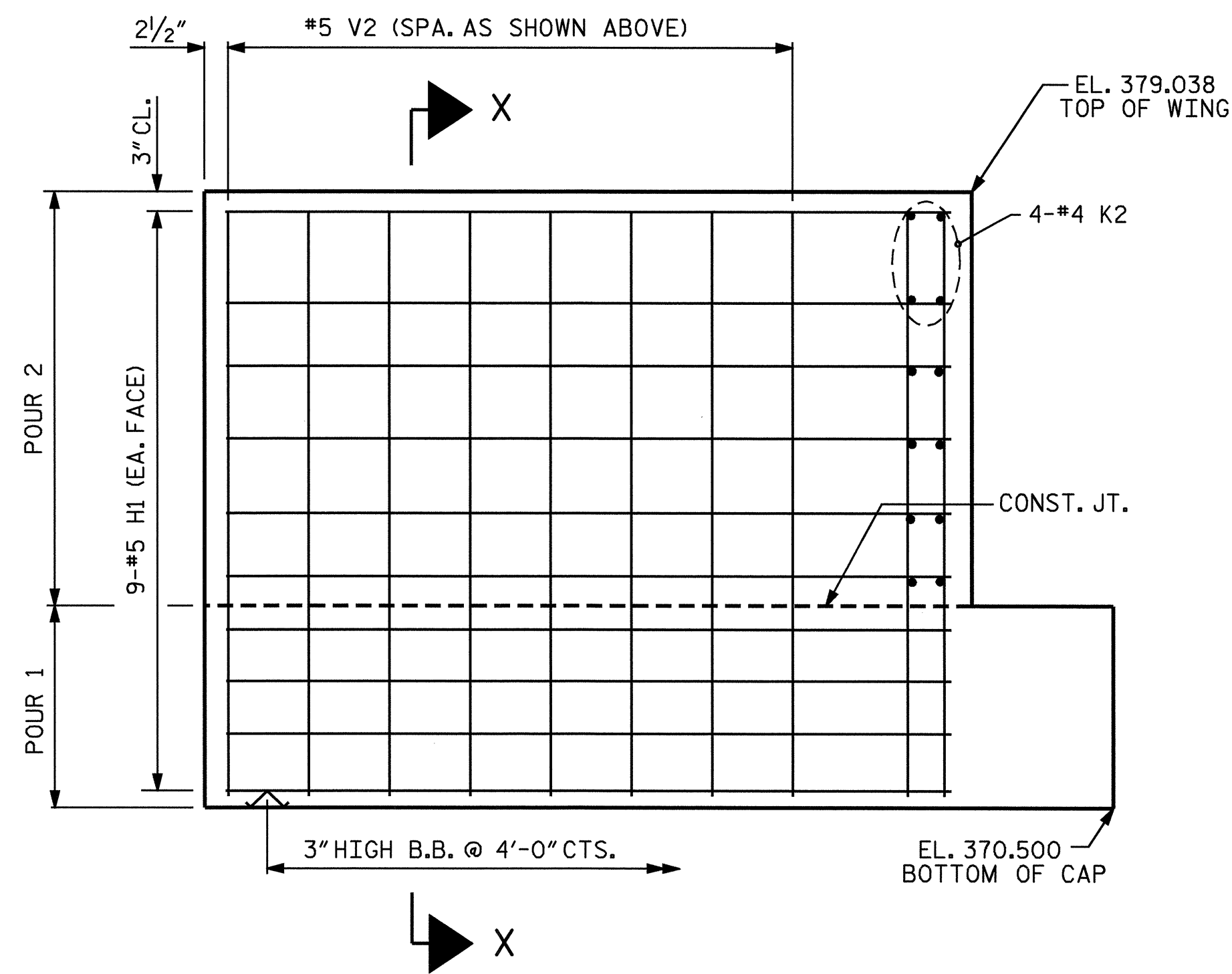


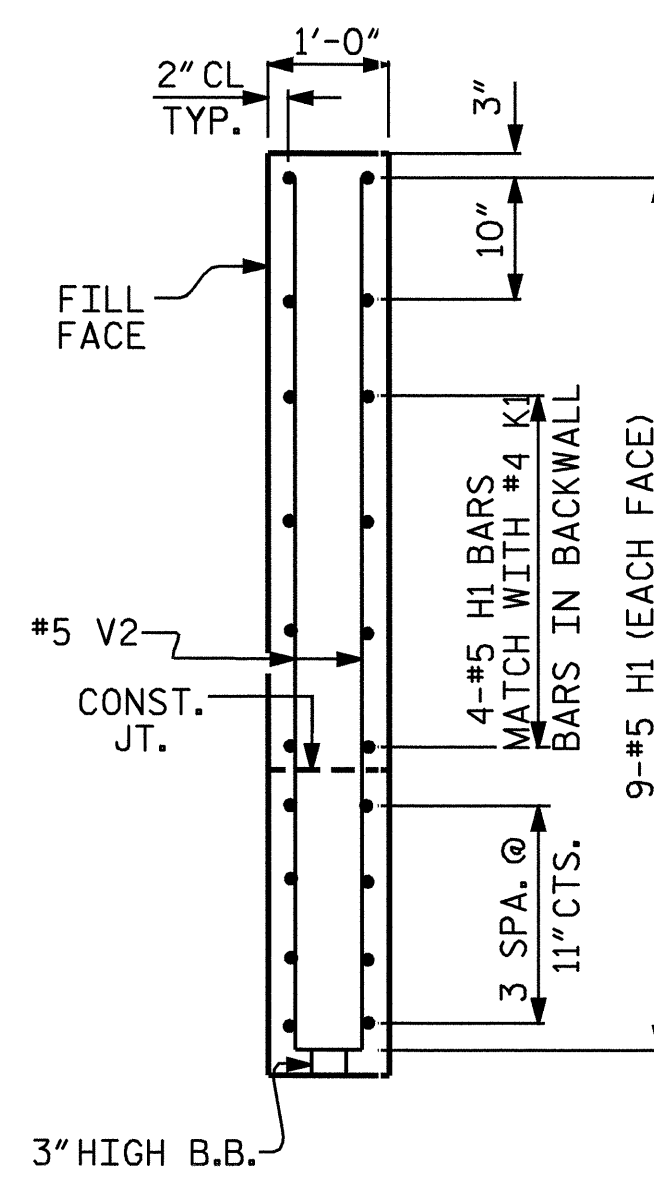
PLAN OF WING (LEFT)



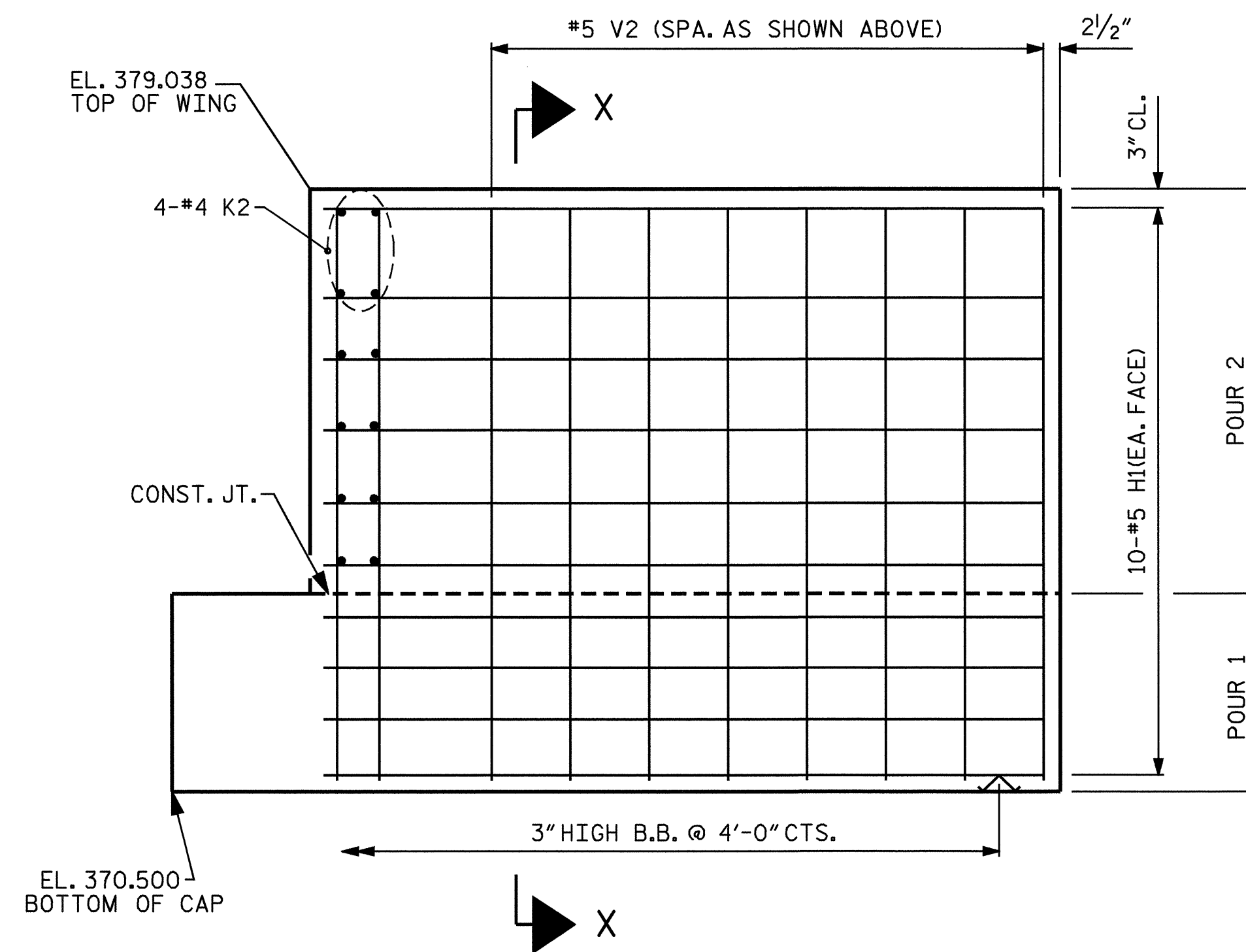
PLAN OF WING (RIGHT)



ELEVATION OF WING (LEFT)



SECTION X-X



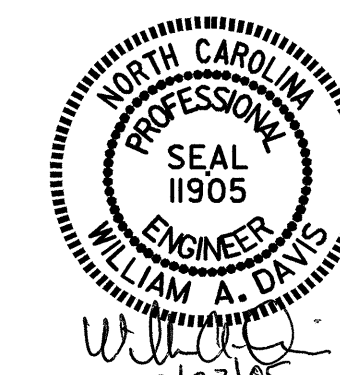
ELEVATION OF WING (RIGHT)

PROJECT NO. B-3875
MOORE COUNTY
 STATION: 17+70.00 -L-

SHEET 2 OF 3

STATE OF NORTH CAROLINA
 DEPARTMENT OF TRANSPORTATION
 RALEIGH

SUBSTRUCTURE
 END BENT #2



DRAWN BY: G.O. COOPER DATE: 5 SEPT. 03
 CHECKED BY: J.G. KHARVA DATE: 12-14-04

22-FEB-2005 10:57
 W:\squadh\b3875\jkharva\Drawings\B-3875.sd.EBs_01.dgn
 jkharva

REVISIONS						SHEET NO.	
NO.	BY:	DATE:	NO.	BY:	DATE:	S-24	
1			3			TOTAL SHEETS	33
2			4				

NCBDS