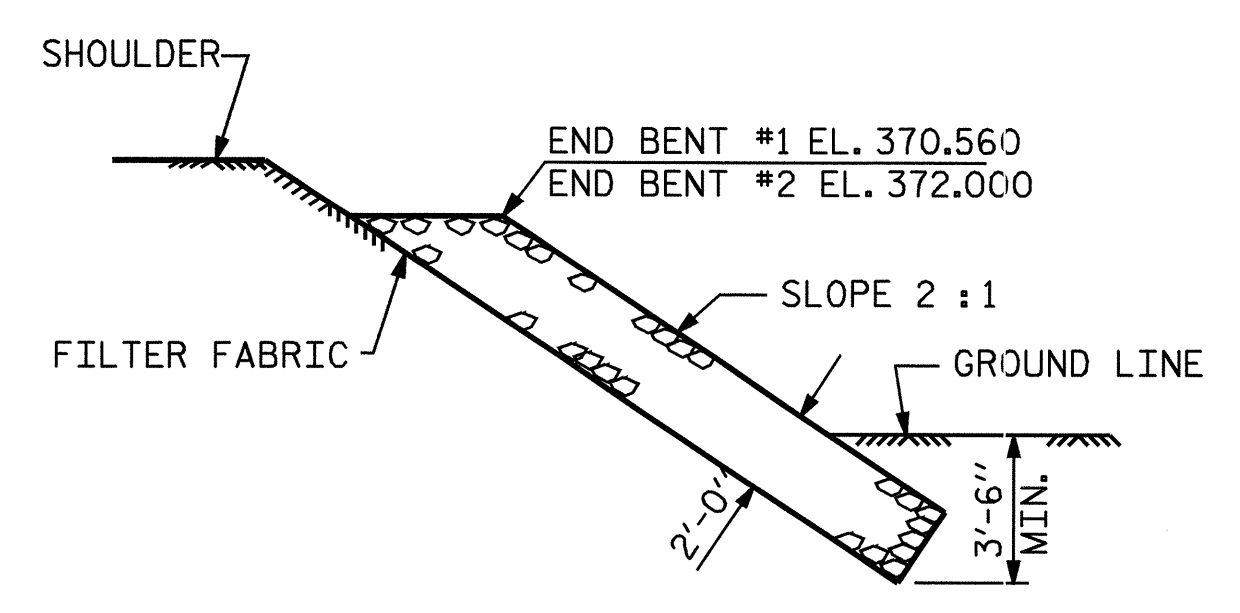
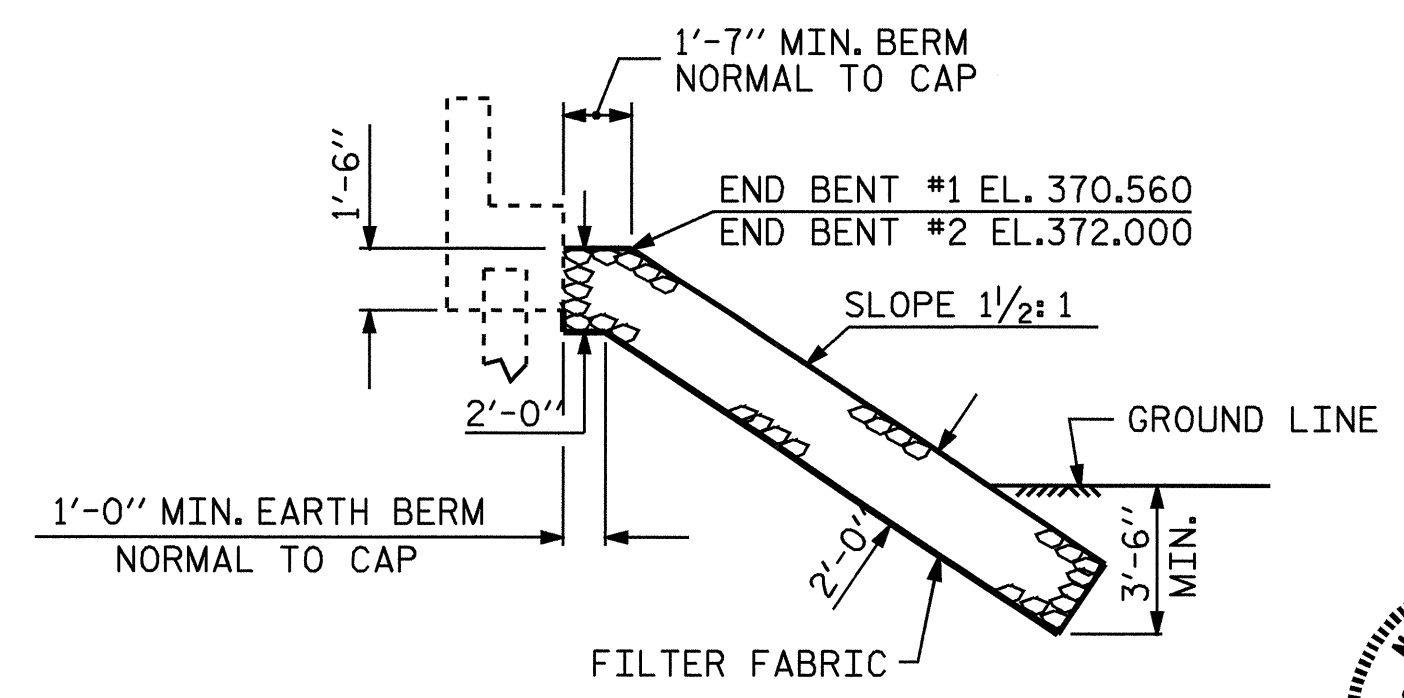


ESTIMATED QUANTITIES		
BRIDGE AT STA. 17+70.00 -L-	PLAIN RIP RAP CLASS II	FILTER FABRIC FOR DRAINAGE
	TONS	SQUARE YARDS
END BENT #1	489	543
END BENT #2	431	480

PLAN



SECTION C-C



SECTION

BERM RIP RAPPED

PROJECT NO. B-3875
MOORE COUNTY
STATION: 17+70.00 -L-

STATE OF NORTH CAROLINA
DEPARTMENT OF TRANSPORTATION
RALEIGH

RIP RAP DETAILS



DRAWN BY : G.O. COOPER DATE : 2APR'03
CHECKED BY : J.G. KHARVA DATE : 4/10/04

REVISIONS						SHEET NO.
NO.	BY:	DATE:	NO.	BY:	DATE:	S-26
1			3			TOTAL SHEETS 33
2			4			