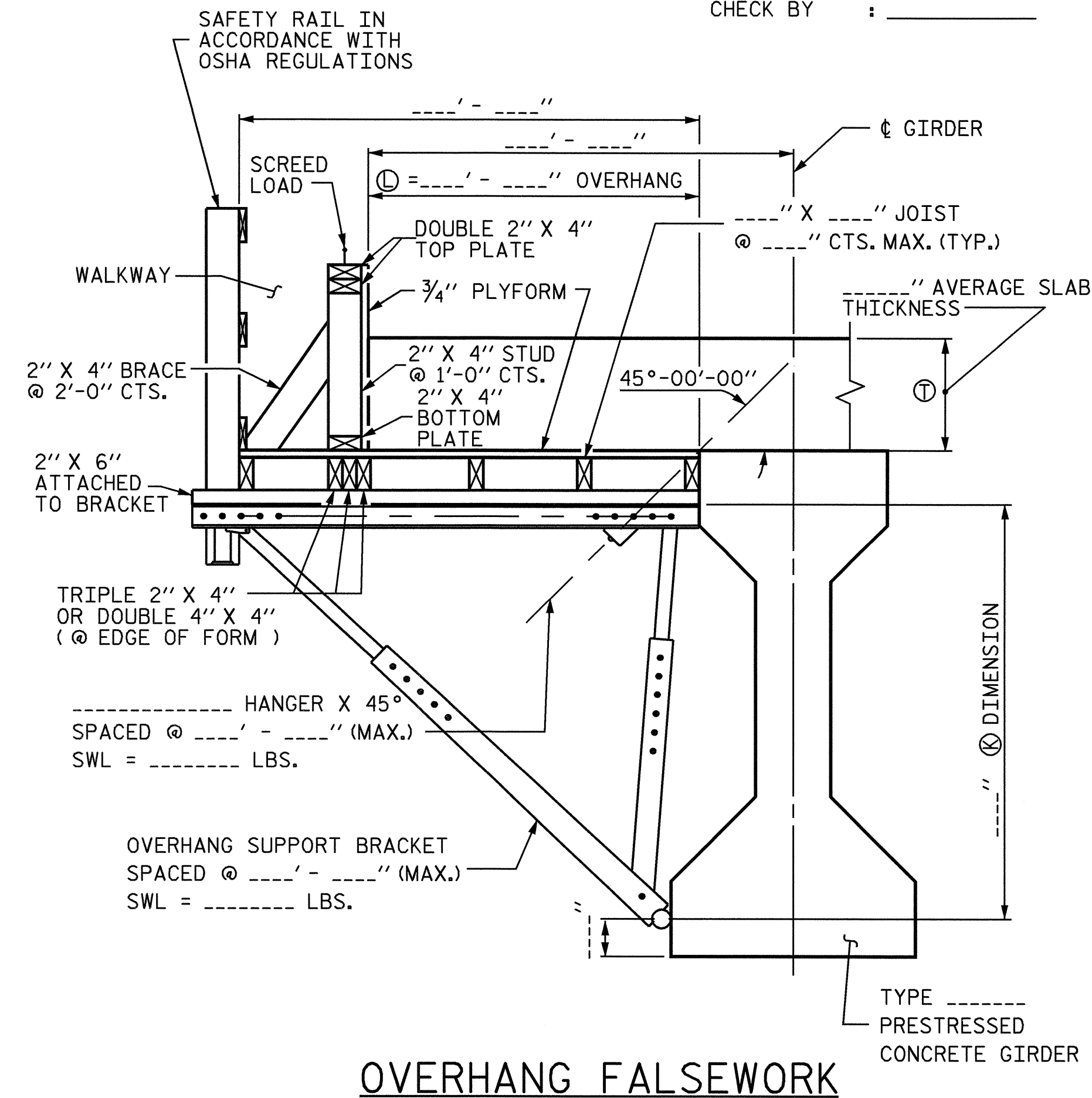


BRIDGE OVERHANG BRACKET SUMMARY

TOTAL SCREED WEIGHT = _____ LBS.
 NUMBER OF SCREED WHEELS = _____
 SCREED WHEEL LOAD (W) = _____ LBS.
 SCREED LOAD PER BRACKET = _____ LBS.

PROJECT No. : _____
 COUNTY : _____
 STATION : _____
 DESCRIPTION : _____

DATE : _____
 DESIGN BY : _____
 CHECK BY : _____



OVERHANG FALSEWORK

NOTES

DESIGN INCLUDES CONSTRUCTION LIVE LOAD 20 PSF ON THE AREA SUPPORTED AND 75 PLF AT THE OUTSIDE DECK OF OVERHANGS.

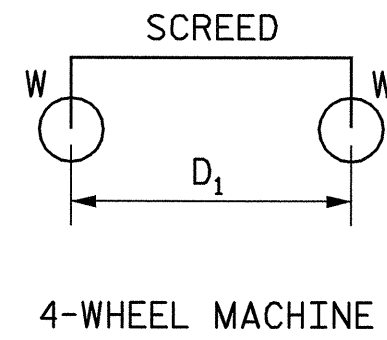
REQUIRED MINIMUM DIAGONAL LEG CAPACITY: 3600 LB WORKING LOAD

THE CONTRACTOR HAS THE OPTION OF SUBMITTING HIS OWN DESIGN FOR OVERHANG FALSEWORK IN ACCORDANCE WITH THE SPECIAL PROVISIONS.

SUBMITTALS UTILIZING THE INSTRUCTIONS AND PROCEDURES DESCRIBED ON SHEET 1 OF 3 SHALL BE IN ACCORDANCE WITH THE APPLICABLE SECTIONS OF THE SPECIFICATIONS AND SPECIAL PROVISIONS, EXCEPT THAT CALCULATIONS FOR OVERHANG FALSEWORK NEED NOT BE SEALED BY A REGISTERED ENGINEER.

FOR OVERHANG FALSEWORK BRACING DESIGN, SEE SHEET 3 OF 3.

| | |
|---------------------------|-------|
| ASSEMBLED BY: | DATE: |
| CHECKED BY: | DATE: |
| DRAWN BY: R. WRIGHT 06/04 | REV. |
| CHECKED BY: V. CHAO 06/04 | |



| S/D1 | R |
|--------|------|
| <= 1.0 | 1.00 |
| 1.1 | 1.09 |
| 1.2 | 1.17 |
| 1.3 | 1.23 |
| 1.4 | 1.29 |
| 1.5 | 1.33 |
| 1.6 | 1.38 |
| 1.7 | 1.41 |
| 1.8 | 1.44 |
| 1.9 | 1.47 |
| 2.0 | 1.50 |
| 2.2 | 1.55 |
| 2.4 | 1.58 |
| 2.6 | 1.62 |
| 2.8 | 1.64 |
| 3.0 | 1.67 |
| 3.5 | 1.71 |
| 4.0 | 1.75 |

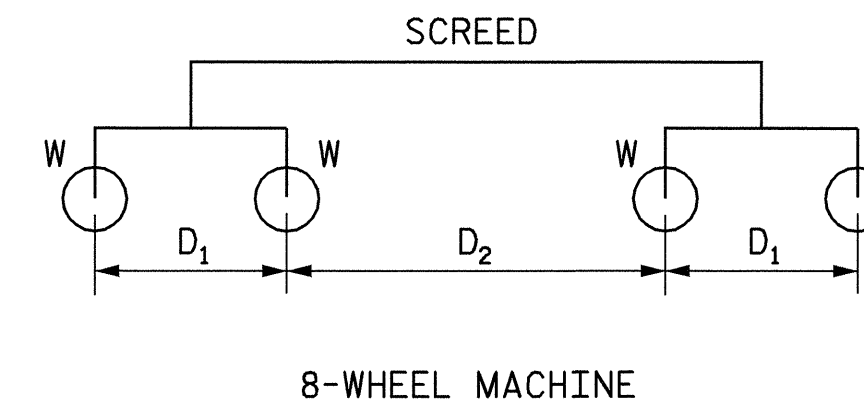


TABLE 2: SCREED LOAD FACTOR "R"

| S/D1 | S/D2 | | | | | | | | | | | | | | | | | |
|--------|--------|------|------|------|------|------|------|------|------|------|------|------|------|------|------|------|------|------|
| | <= 1.0 | 1.1 | 1.2 | 1.3 | 1.4 | 1.5 | 1.6 | 1.7 | 1.8 | 1.9 | 2.0 | 2.2 | 2.4 | 2.6 | 2.8 | 3.0 | 3.5 | 4.0 |
| <= 1.0 | 1.00 | 1.09 | 1.17 | 1.23 | 1.29 | 1.33 | 1.38 | 1.41 | 1.44 | 1.47 | 1.50 | 1.55 | 1.58 | 1.62 | 1.64 | 1.67 | 1.71 | 1.75 |
| 1.1 | 1.09 | 1.18 | 1.26 | 1.32 | 1.38 | 1.42 | 1.47 | 1.50 | 1.54 | 1.56 | 1.59 | 1.64 | 1.67 | 1.71 | 1.73 | 1.76 | 1.81 | 1.84 |
| 1.2 | 1.17 | 1.26 | 1.33 | 1.40 | 1.45 | 1.50 | 1.54 | 1.58 | 1.61 | 1.64 | 1.67 | 1.71 | 1.75 | 1.78 | 1.81 | 1.83 | 1.88 | 1.92 |
| 1.3 | 1.23 | 1.32 | 1.40 | 1.46 | 1.52 | 1.56 | 1.61 | 1.64 | 1.68 | 1.70 | 1.73 | 1.78 | 1.81 | 1.85 | 1.87 | 1.90 | 1.95 | 1.98 |
| 1.4 | 1.29 | 1.38 | 1.45 | 1.52 | 1.57 | 1.62 | 1.66 | 1.70 | 1.73 | 1.76 | 1.79 | 1.83 | 1.87 | 1.90 | 1.93 | 1.95 | 2.00 | 2.07 |
| 1.5 | 1.33 | 1.42 | 1.50 | 1.56 | 1.62 | 1.67 | 1.71 | 1.75 | 1.78 | 1.81 | 1.83 | 1.88 | 1.92 | 1.95 | 1.98 | 2.00 | 2.10 | 2.17 |
| 1.6 | 1.38 | 1.47 | 1.54 | 1.61 | 1.66 | 1.71 | 1.75 | 1.79 | 1.82 | 1.85 | 1.88 | 1.92 | 1.96 | 1.99 | 2.04 | 2.08 | 2.18 | 2.25 |
| 1.7 | 1.41 | 1.50 | 1.58 | 1.64 | 1.70 | 1.75 | 1.79 | 1.82 | 1.86 | 1.89 | 1.91 | 1.96 | 2.00 | 2.05 | 2.11 | 2.16 | 2.25 | 2.32 |
| 1.8 | 1.44 | 1.54 | 1.61 | 1.68 | 1.73 | 1.78 | 1.82 | 1.86 | 1.89 | 1.92 | 1.94 | 1.99 | 2.06 | 2.12 | 2.17 | 2.22 | 2.32 | 2.39 |
| 1.9 | 1.47 | 1.56 | 1.64 | 1.70 | 1.76 | 1.81 | 1.85 | 1.89 | 1.92 | 1.95 | 1.97 | 2.04 | 2.11 | 2.18 | 2.23 | 2.28 | 2.38 | 2.45 |
| 2.0 | 1.50 | 1.59 | 1.67 | 1.73 | 1.79 | 1.83 | 1.88 | 1.91 | 1.94 | 1.97 | 2.00 | 2.09 | 2.17 | 2.23 | 2.29 | 2.33 | 2.43 | 2.50 |
| 2.2 | 1.55 | 1.64 | 1.71 | 1.78 | 1.83 | 1.88 | 1.92 | 1.96 | 1.99 | 2.04 | 2.09 | 2.18 | 2.26 | 2.32 | 2.38 | 2.42 | 2.52 | 2.59 |
| 2.4 | 1.58 | 1.67 | 1.75 | 1.81 | 1.87 | 1.92 | 1.96 | 2.00 | 2.06 | 2.11 | 2.17 | 2.26 | 2.33 | 2.40 | 2.45 | 2.50 | 2.60 | 2.67 |
| 2.6 | 1.62 | 1.71 | 1.78 | 1.85 | 1.90 | 1.95 | 1.99 | 2.05 | 2.12 | 2.18 | 2.23 | 2.32 | 2.40 | 2.46 | 2.52 | 2.56 | 2.66 | 2.73 |
| 2.8 | 1.64 | 1.73 | 1.81 | 1.87 | 1.93 | 1.98 | 2.04 | 2.11 | 2.17 | 2.23 | 2.29 | 2.38 | 2.45 | 2.52 | 2.57 | 2.62 | 2.71 | 2.79 |
| 3.0 | 1.67 | 1.76 | 1.83 | 1.90 | 1.95 | 2.00 | 2.08 | 2.16 | 2.22 | 2.28 | 2.33 | 2.42 | 2.50 | 2.56 | 2.62 | 2.67 | 2.76 | 2.83 |
| 3.5 | 1.71 | 1.81 | 1.88 | 1.95 | 2.00 | 2.10 | 2.18 | 2.25 | 2.32 | 2.38 | 2.43 | 2.52 | 2.60 | 2.66 | 2.71 | 2.76 | 2.86 | 2.93 |
| 4.0 | 1.75 | 1.84 | 1.92 | 1.98 | 2.07 | 2.17 | 2.25 | 2.32 | 2.39 | 2.45 | 2.50 | 2.59 | 2.67 | 2.73 | 2.79 | 2.83 | 2.93 | 3.00 |

TABLE 3: ALLOWABLE SPAN LENGTH OF JOISTS AND JOIST SPACINGS

| AVG. SLAB THICKNESS (IN) | LUMBER JOIST SIZE (IN X IN) | JOIST SPACINGS | | | |
|--------------------------|-----------------------------|-------------------------------------|---------|---------|---------|
| | | 15 IN | 12 IN | 10 IN | 8 IN |
| | | THE ALLOWABLE SPAN LENGTH OF JOISTS | | | |
| 10 | 2 X 4 | --- | 4' - 6" | 4' - 9" | 5' - 0" |
| | 4 X 4 | 5' - 9" | 6' - 3" | 6' - 6" | 6' - 7" |
| 12 | 2 X 4 | --- | 4' - 3" | 4' - 9" | 5' - 0" |
| | 4 X 4 | 5' - 3" | 6' - 0" | 6' - 3" | 6' - 5" |
| 14 | 2 X 4 | --- | 4' - 0" | 4' - 6" | 5' - 0" |
| | 4 X 4 | --- | 5' - 6" | 6' - 0" | 6' - 4" |
| 16 | 2 X 4 | --- | 4' - 0" | 4' - 3" | 4' - 9" |
| | 4 X 4 | --- | 5' - 3" | 5' - 9" | 6' - 3" |

PROJECT NO. B-3875
MOORE COUNTY
 STATION: 17+70.00 -L-

SHEET 2 OF 3

STATE OF NORTH CAROLINA
 DEPARTMENT OF TRANSPORTATION
 RALEIGH
 STANDARD OVERHANG FALSEWORK
 AASHTO TYPES III, IV, V, AND VI

Chong-Chuan V. Chao
 1-10-2005



| REVISIONS | | | | | | SHEET NO. 5-32 |
|-----------|-----|-------|-----|-----|-------|-------------------|
| NO. | BY: | DATE: | NO. | BY: | DATE: | |
| 1 | | | 3 | | | TOTAL SHEETS 33 |
| 2 | | | 4 | | | |