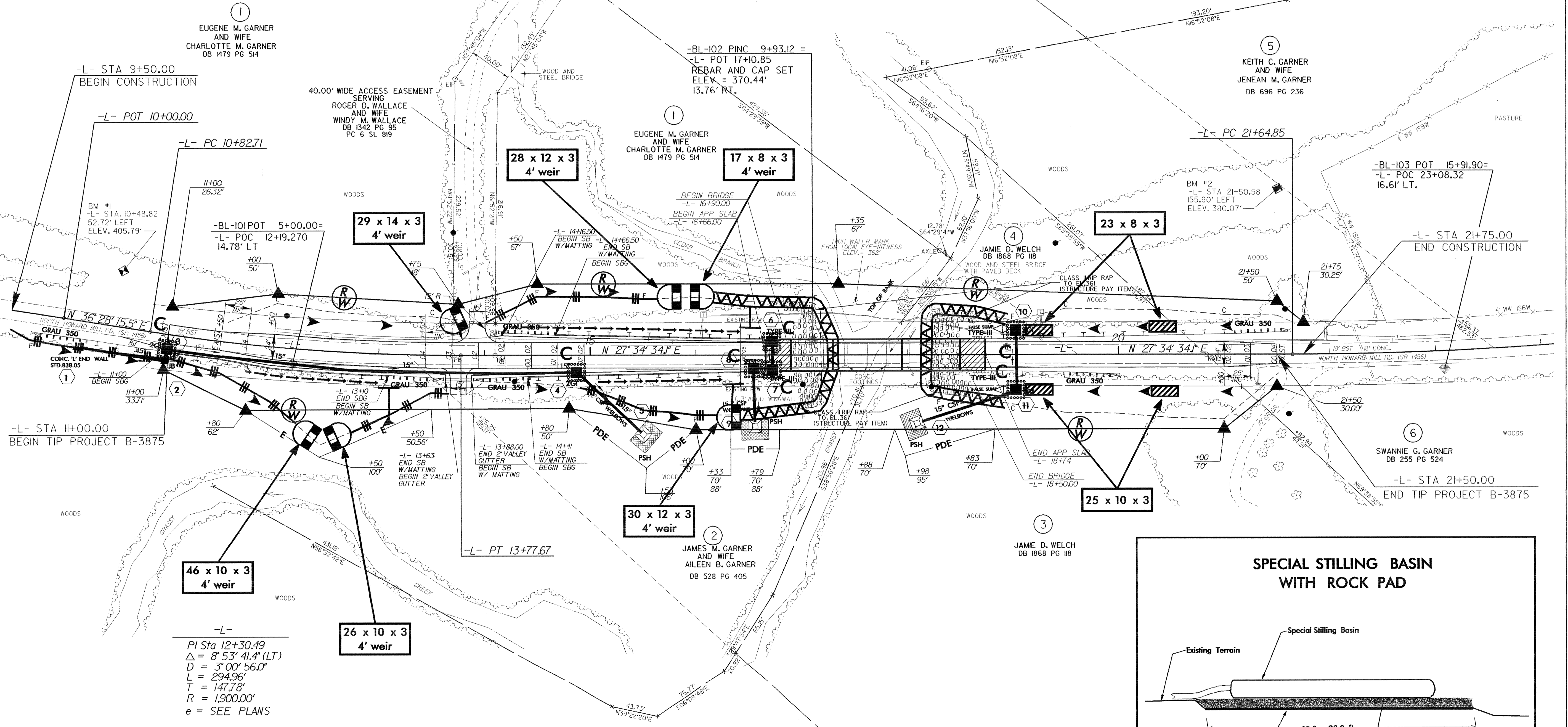
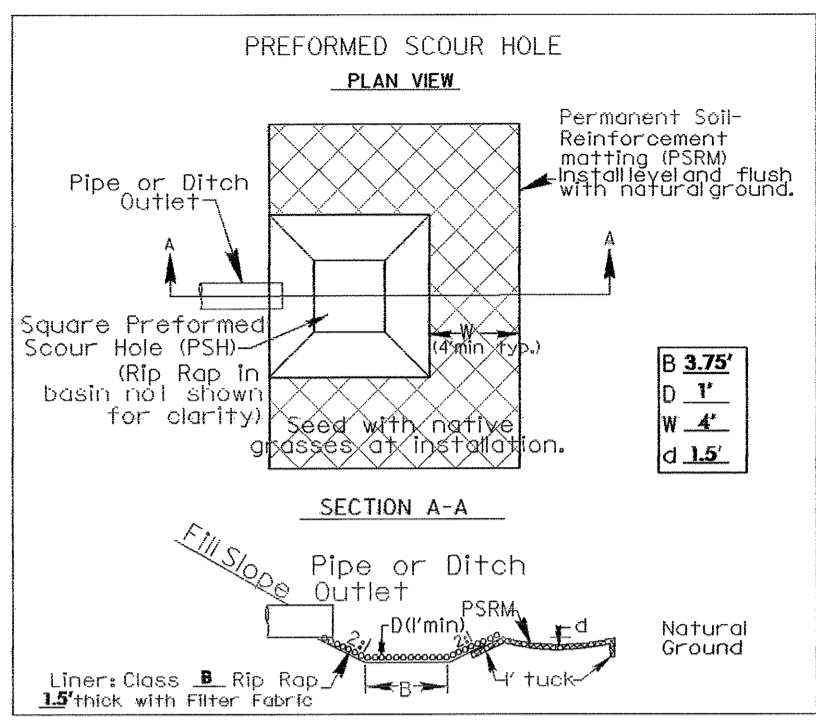


PROJECT REFERENCE NO.	SHEET NO.
B-3875	EC-5/CONST.4
R/W SHEET NO.	HYDRAULICS ENGINEER
ROADWAY DESIGN ENGINEER	

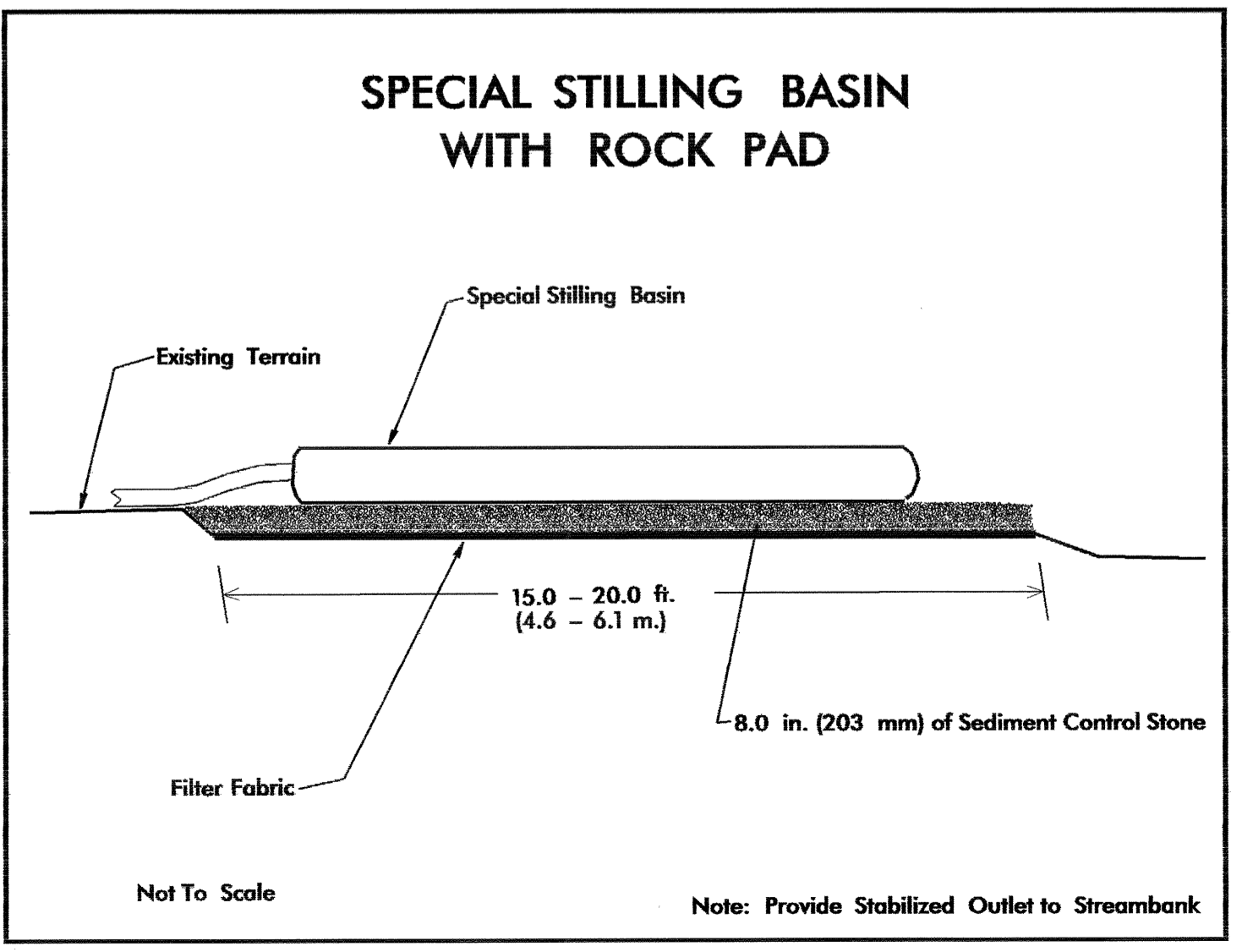
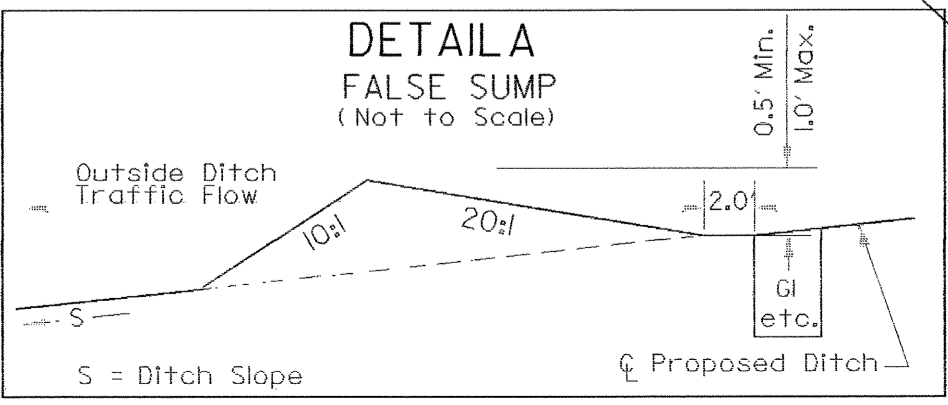
FOR PROFILE OF LINE -L- SEE SHEET 5

NOTE: UTILIZE SPECIAL STILLING BASIN AND/OR TEMPORARY ROCK SEDIMENT DAM TYPE - B AS STILLING BASIN WHERE APPLICABLE.

NOTES: SB - DENOTES SHOULDER BERM  
 SBG - DENOTES SHOULDER BERM GUTTER  
 PSH - DENOTES PREFORMED SCOUR HOLE



-L-  
 PI Sta 12+30.49  
 $\Delta = 8^{\circ} 53' 41.4''$  (LT)  
 $D = 3^{\circ} 00' 56.0''$   
 $L = 294.96'$   
 $T = 147.78'$   
 $R = 1,900.00'$   
 $e = \text{SEE PLANS}$



Note: Provide Stabilized Outlet to Streambank