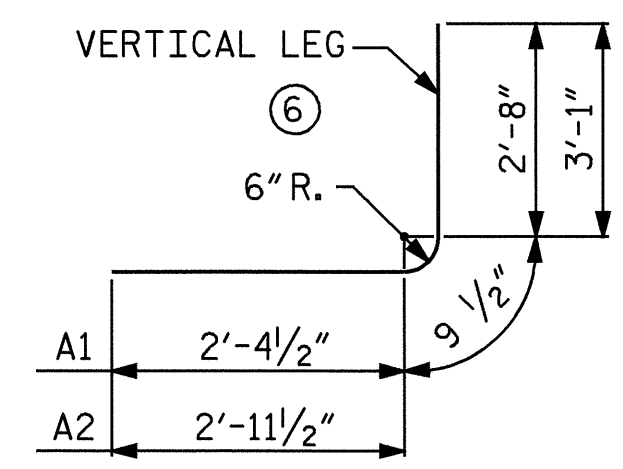


RIGHT ANGLE SECTION OF BARREL

THERE ARE 142 "C" BARS IN SECTION OF BARREL.

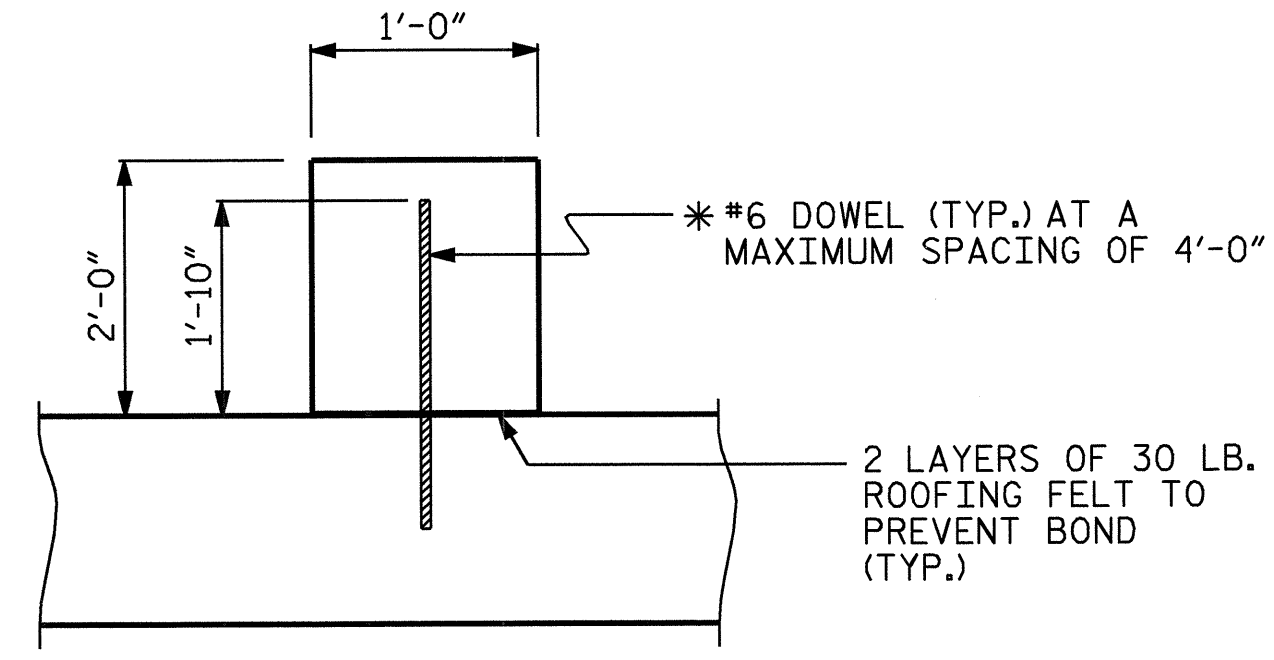


BAR DIMENSIONS ARE OUT TO OUT

SPLICE LENGTHS CHART

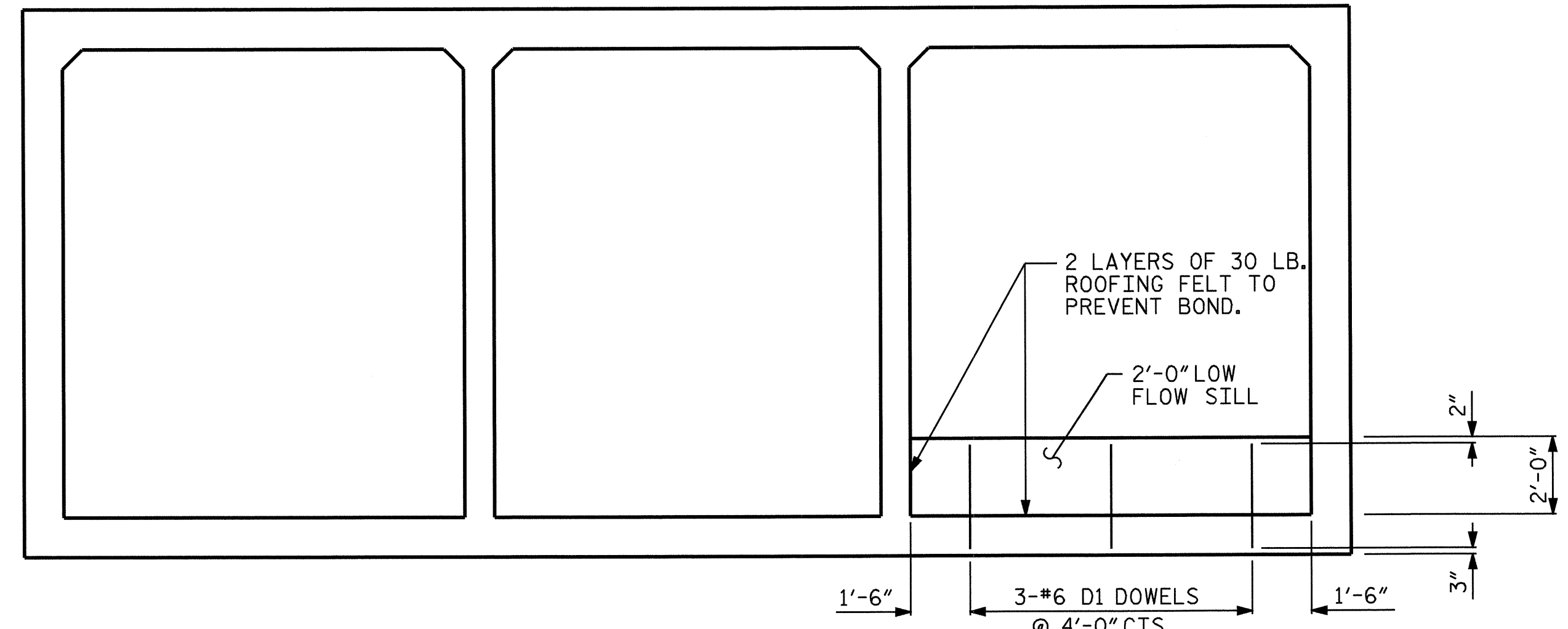
BAR	SIZE	SPLICE LENGTH
A200	5	1'-9"
A400	7	3'-1"
B1	4	1'-9"
B3	5	1'-9"
C1	4	1'-11"

BILL OF MATERIAL					
BAR	NO.	SIZE	TYPE	LENGTH	WEIGHT
A1	196	#6	6	5'-10"	1717
A2	196	#7	6	6'-10"	2738
A100	80	#7	STR	35'-3"	5764
A200	98	#5	STR	35'-3"	3603
A300	98	#6	STR	35'-3"	5189
A400	98	#7	STR	35'-3"	7061
B1	128	#4	STR	13'-4"	1140
B2	196	#4	STR	11'-4"	1484
B3	256	#5	STR	13'-4"	3560
C1	284	#4	STR	27'-5"	5201
D1	3	#6	STR	2'-5"	11
E1	16	#5	STR	5'-0"	83
G1	8	#5	STR	35'-4"	295
REINFORCING STEEL (LBS) =					37,846



* DOWELS MAY BE PUSHED INTO GREEN CONCRETE AFTER SLAB HAS BEEN FLOAT FINISHED.

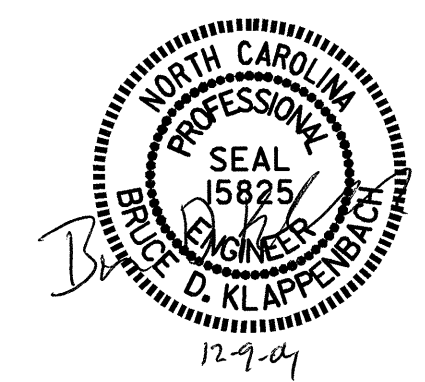
SECTION THROUGH SILL



**ELEVATION
 CULVERT SILL DETAILS
 (LOOKING DOWNSTREAM)**

PROJECT NO. B-3873
MCDOWELL COUNTY
 STATION: 12+84.12 -L-
 SHEET 3 OF 5

STATE OF NORTH CAROLINA DEPARTMENT OF TRANSPORTATION RALEIGH					
TRIPLE 11 FT. X 12 FT. CONCRETE BOX CULVERT 95° SKEW					
1971					
REVISIONS					SHEET NO.
NO.	BY:	DATE:	NO.	BY:	DATE:
1			3		
2			4		
					C-3 TOTAL SHEETS 5



REVISED 8-28-92 BY E.L.R. CHECKED BY G.R.P.
 REDRAWN NOV. 1990 BY ISS. CHECKED BY ARB
 REVISED 11-19-99 BY M.M. CHECKED BY R.W.W.

ASSEMBLED BY : J.B. WILSON	DATE : 9/14/04	SPECIAL
CHECKED BY : D.A. GLADDEN	DATE : 10/13/04	
DRAWN BY : JOEL JOHNSON	DATE : MAR. 1971	STANDARD
CHECKED BY : GARY BROOME	DATE : MAR. 1971	