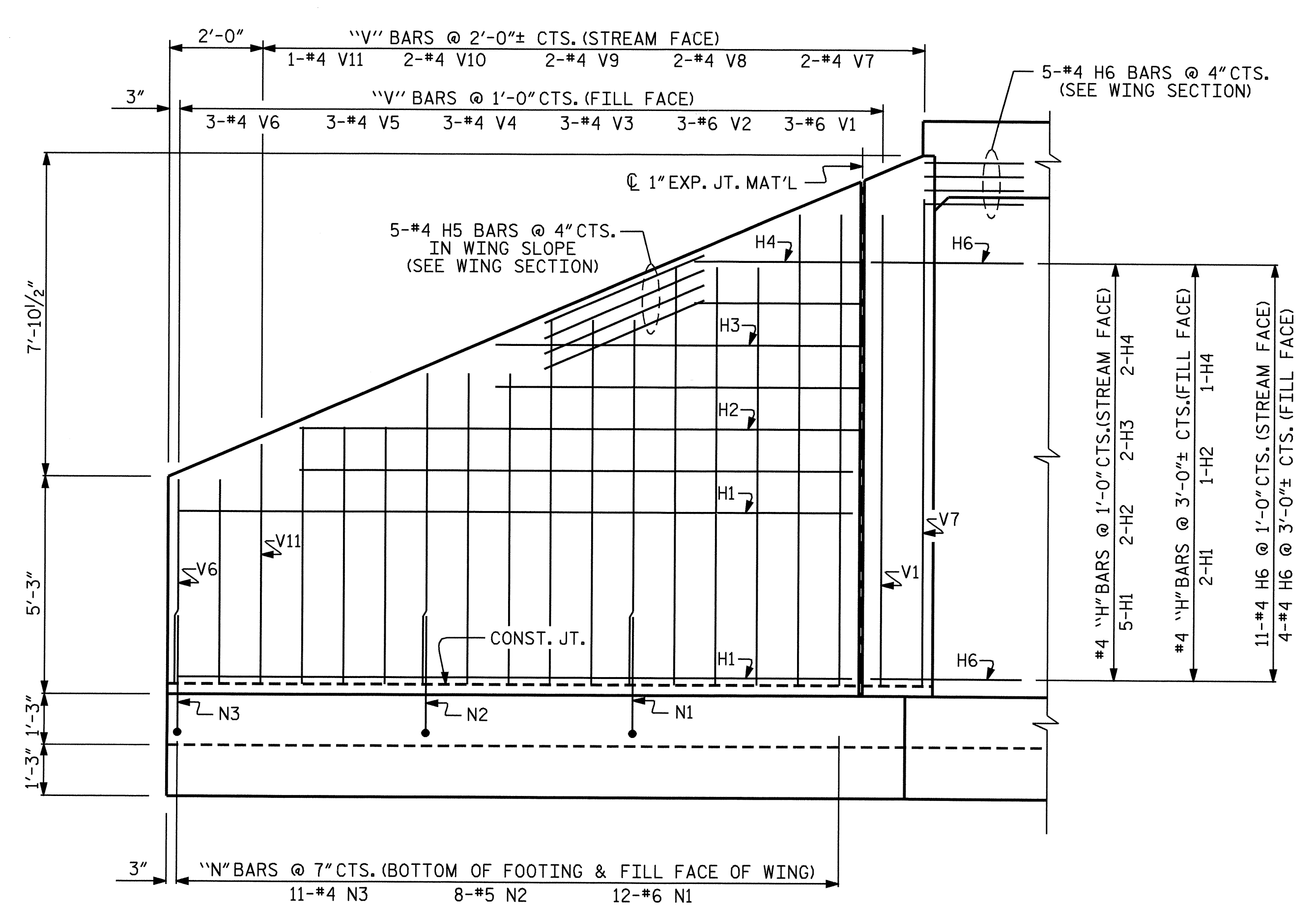
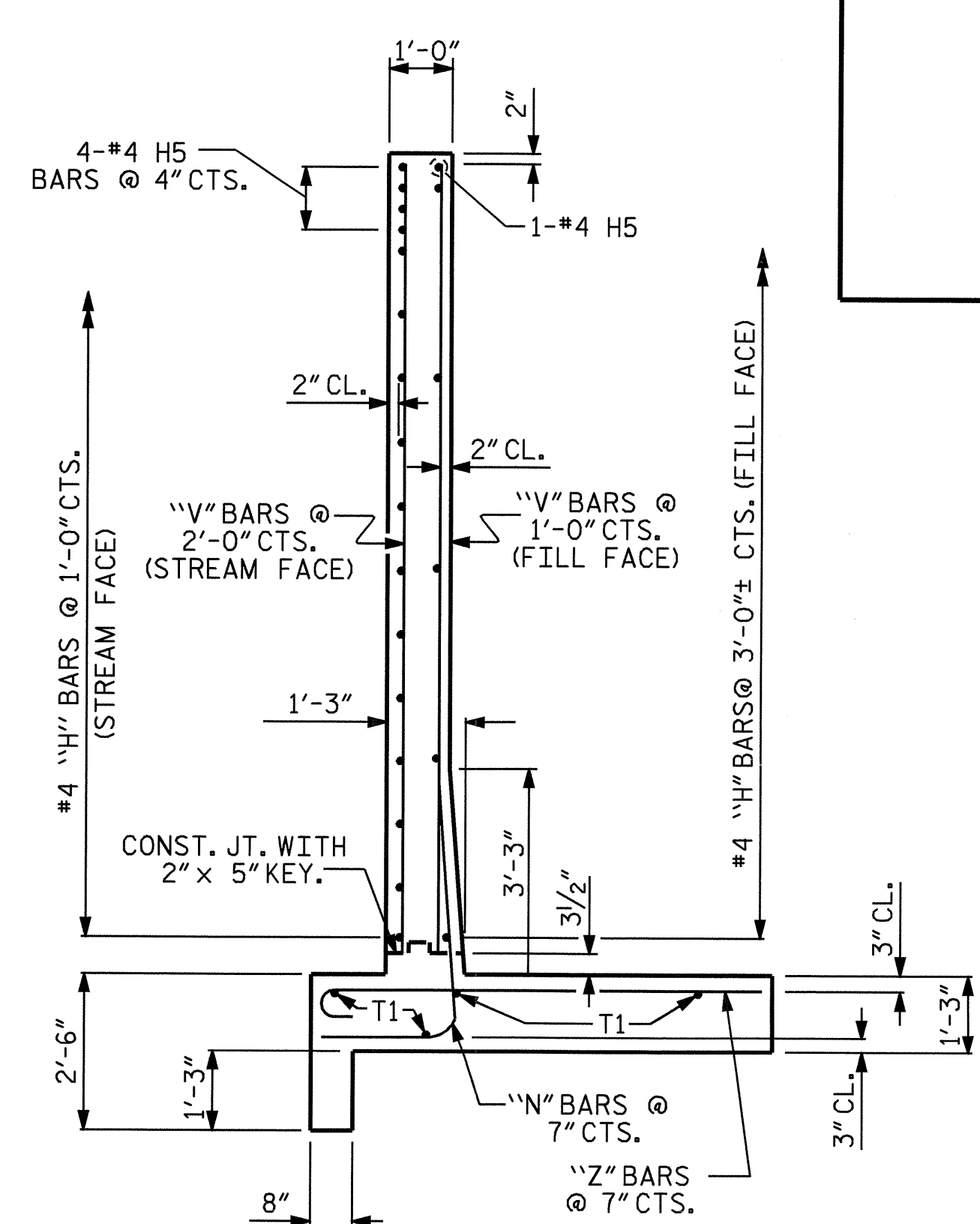


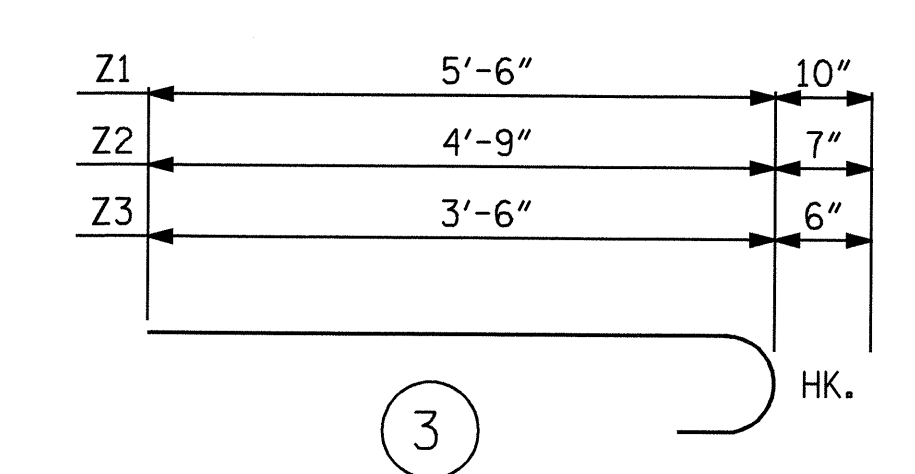
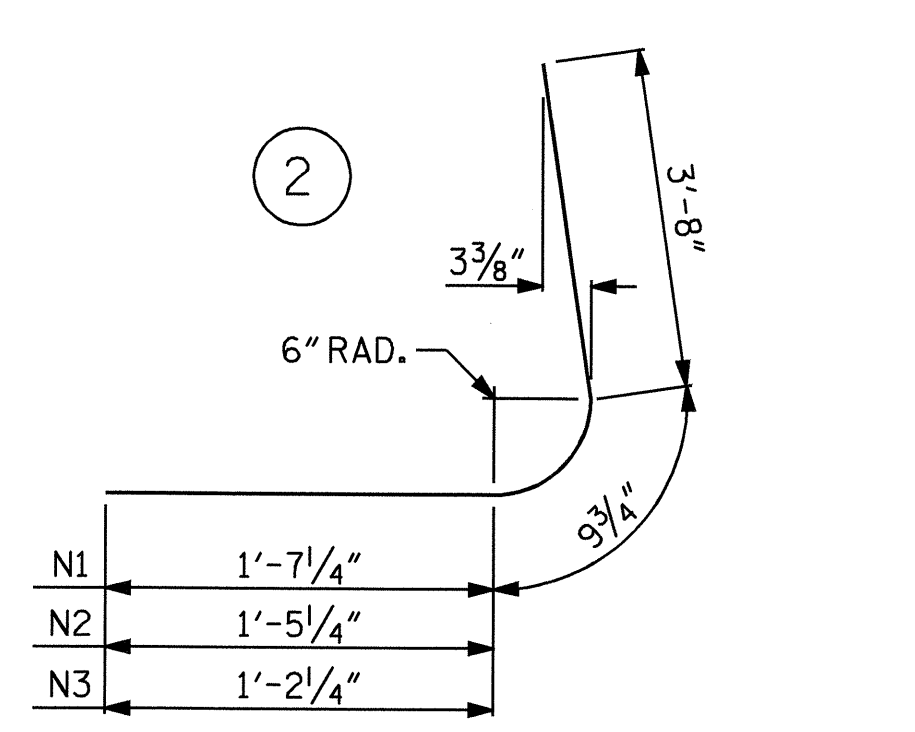
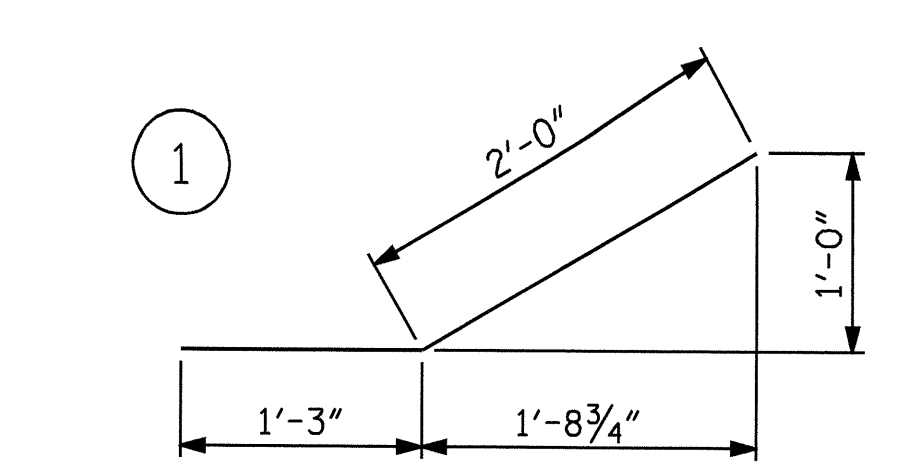
PLAN



ELEVATION



TYPICAL WING SECTION



ALL BAR DIMENSIONS ARE OUT TO OUT.

BAR TYPES

BILL OF MATERIAL

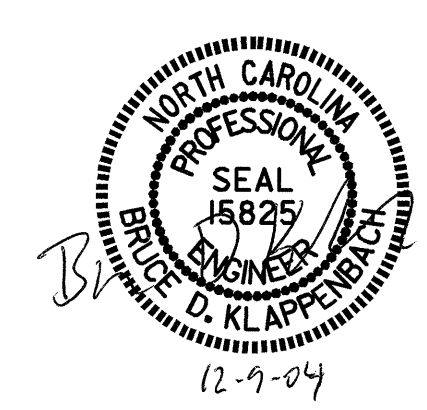
BAR	NO.	SIZE	TYPE	LENGTH	WEIGHT
H1	28	#4	STR	16'-7"	310
H2	12	#4	STR	13'-7"	109
H3	8	#4	STR	8'-8"	46
H4	12	#4	STR	3'-10"	31
H5	20	#4	STR	17'-6"	234
H6	80	#4	1	3'-3"	174
N1	48	#6	2	6'-1"	439
N2	32	#5	2	5'-11"	197
N3	44	#4	2	5'-9"	167
S1	12	#6	STR	6'-0"	108
T1	16	#5	STR	18'-6"	309
V1	12	#6	STR	11'-0"	198
V2	12	#6	STR	9'-9"	176
V3	12	#4	STR	7'-9"	62
V4	12	#4	STR	6'-6"	52
V5	12	#4	STR	5'-3"	42
V6	12	#4	STR	4'-0"	32
V7	8	#4	STR	11'-3"	60
V8	8	#4	STR	9'-6"	51
V9	8	#4	STR	7'-9"	41
V10	8	#4	STR	6'-3"	33
V11	8	#4	STR	5'-3"	14
Z1	48	#7	3	6'-4"	621
Z2	32	#5	3	5'-4"	178
Z3	44	#4	3	4'-0"	118

REINFORCING STEEL FOR 4 WINGS 3802 LBS

WING QUANTITIES INCLUDED IN TOTAL FOR STRUCTURE

CLASS A CONCRETE	
4 WINGS ONLY AS SHOWN	47.9 C.Y.
2 HEADWALL AND END CURTAIN WALLS	7.3 C.Y.
LOW FLOW SILLS	0.8 C.Y.
TOTAL	56.0 C.Y.

ASSEMBLED BY : J.B. WILSON DATE : 9/14/04
 CHECKED BY : D.A. GLADDEN DATE : 10/13/04
 DRAWN BY : CCJ 10/99
 CHECKED BY : RWW 03/00



PROJECT NO. B-3873
 MCDOWELL COUNTY
 STATION: 12+84.12 -L-

SHEET 4 OF 5
 STATE OF NORTH CAROLINA
 DEPARTMENT OF TRANSPORTATION
 RALEIGH
STANDARD WINGS FOR CONCRETE BOX CULVERT
 H = 12'-0" SLOPE = 2:1
 90° SKEW

REVISIONS						SHEET NO.
NO.	BY:	DATE:	NO.	BY:	DATE:	
1			3			C-4
2			4			TOTAL SHEETS 5