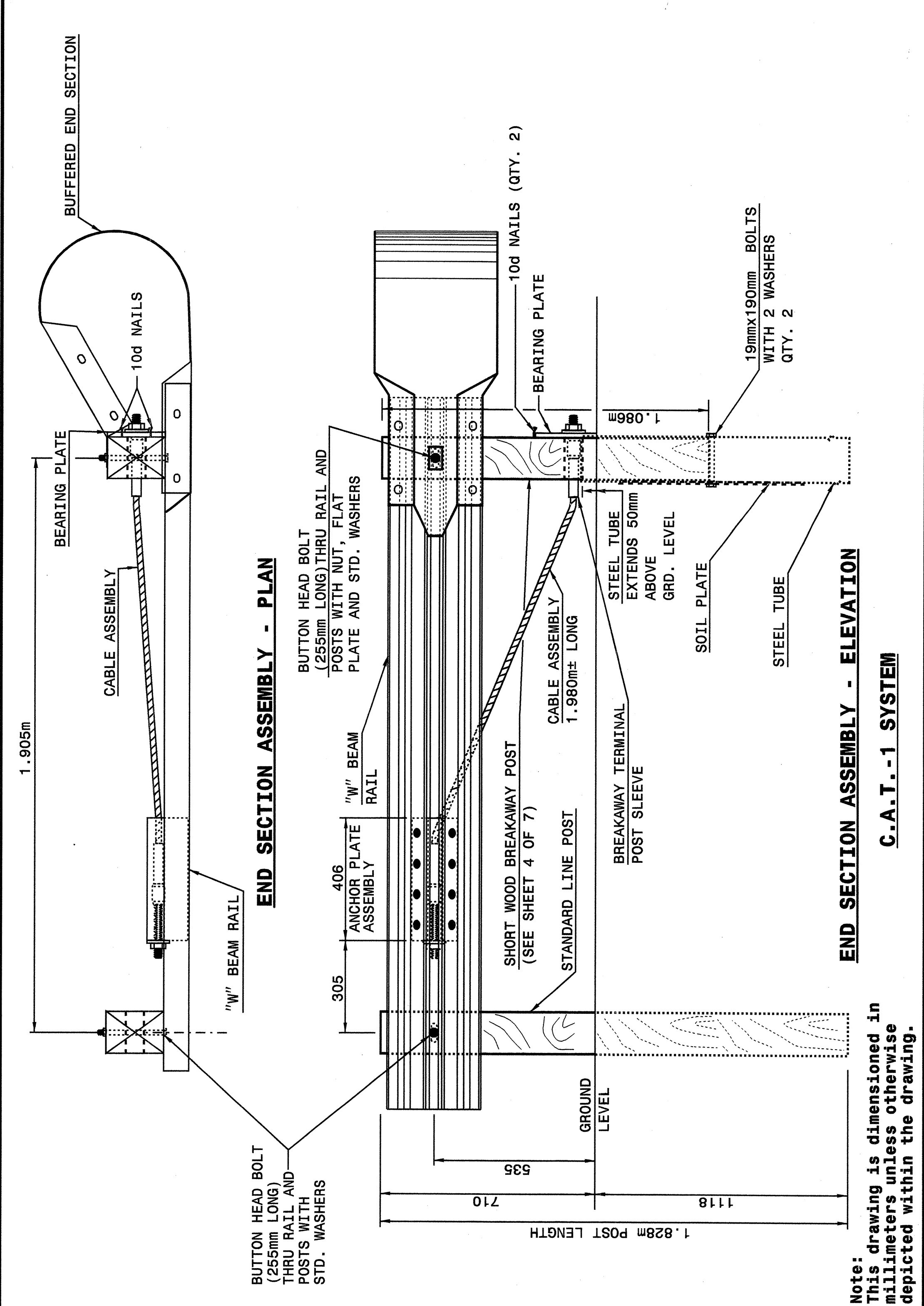




STATE OF NORTH CAROLINA  
DEPT. OF TRANSPORTATION  
DIVISION OF HIGHWAYS  
RALEIGH, N.C.

METRIC DETAIL DRAWING FOR  
**GUARDRAIL INSTALLATION**

SHEET 1 OF 7  
**862D02**



STATE OF NORTH CAROLINA  
DEPT. OF TRANSPORTATION  
DIVISION OF HIGHWAYS  
RALEIGH, N.C.

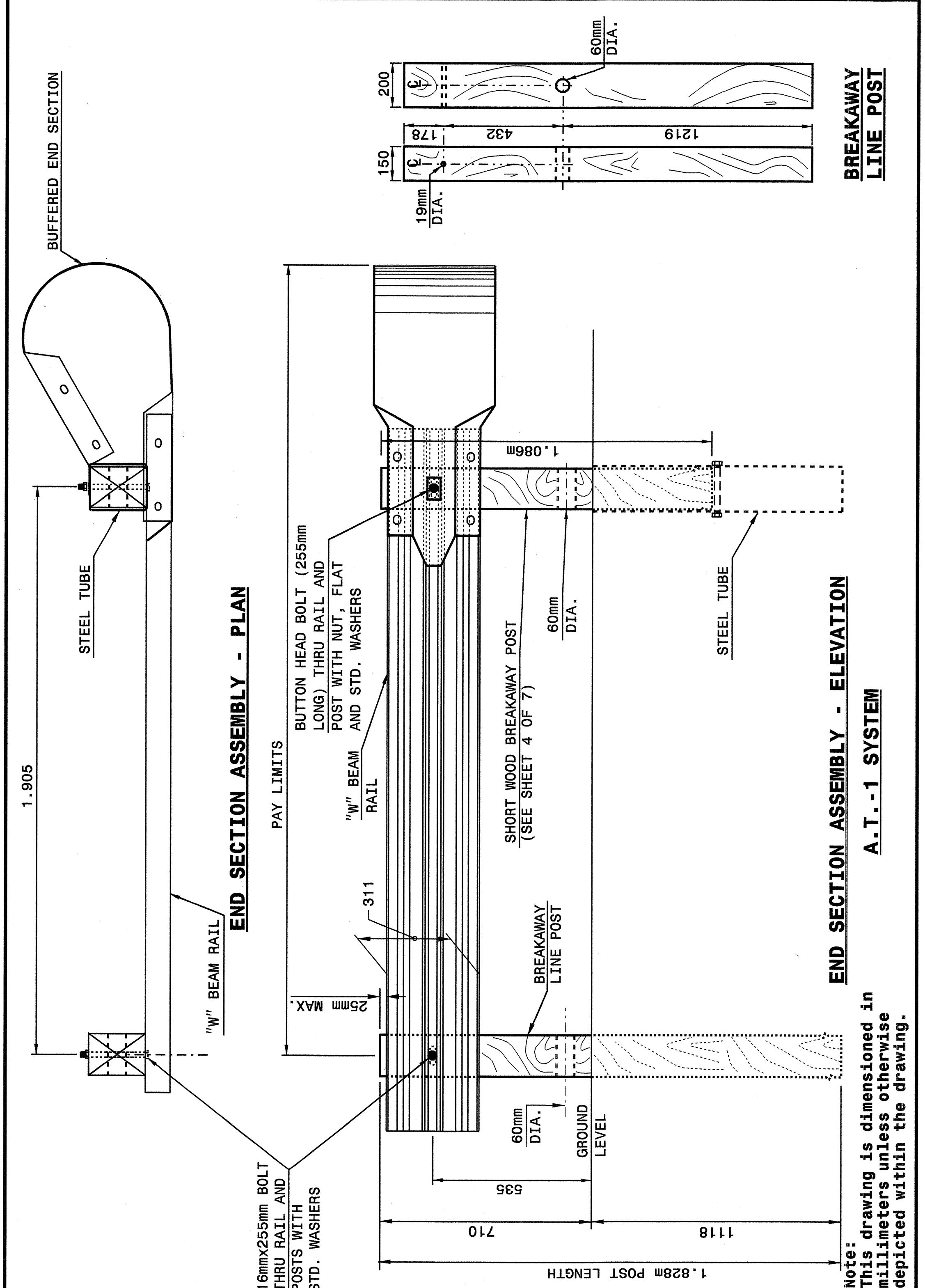
METRIC DETAIL DRAWING FOR  
**GUARDRAIL INSTALLATION**

SHEET 1 OF 7  
**862D02**

STATE OF NORTH CAROLINA  
DEPT. OF TRANSPORTATION  
DIVISION OF HIGHWAYS  
RALEIGH, N.C.

METRIC DETAIL DRAWING FOR  
**GUARDRAIL INSTALLATION**

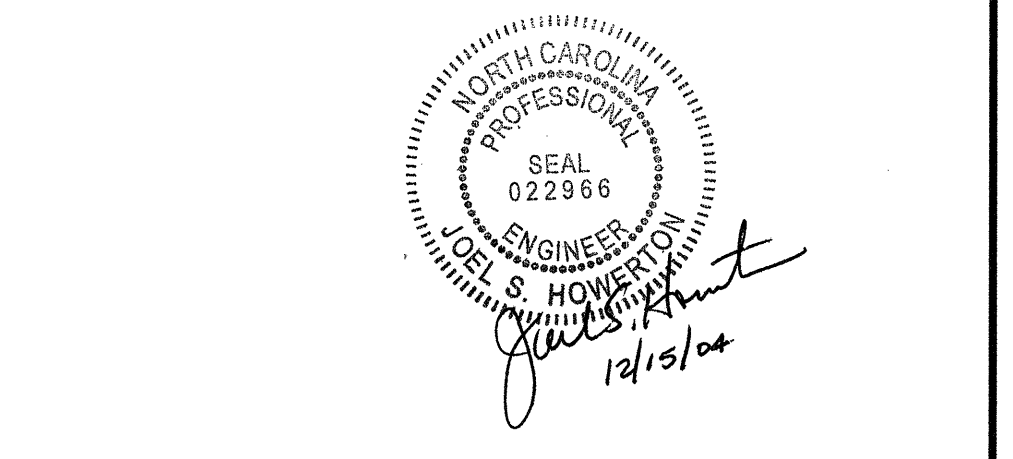
SHEET 2 OF 7  
**862D02**



STATE OF NORTH CAROLINA  
DEPT. OF TRANSPORTATION  
DIVISION OF HIGHWAYS  
RALEIGH, N.C.

METRIC DETAIL DRAWING FOR  
**GUARDRAIL INSTALLATION**

SHEET 2 OF 7  
**862D02**



**DESIGN SERVICES UNIT**  
**STANDARDS AND SPECIAL DESIGN**  
Office 919-250-4128 FAX 919-250-4119

**SEE PLATE FOR TITLE**

ORIGINAL BY: 2002 STD.862.02 DATE:  
MODIFIED BY: E.E. WARD DATE: 02-09-03  
CHECKED BY: [Signature] DATE:  
FILE SPEC.: /usr/stds/02todetail/metric/86202/862d02m.dgn

12-Jul-2004 15:06  
 C:\Users\jward\Documents\Projects\stds\02\stds to Special Details\metric\86202\0862d02m.dgn  
 ericward