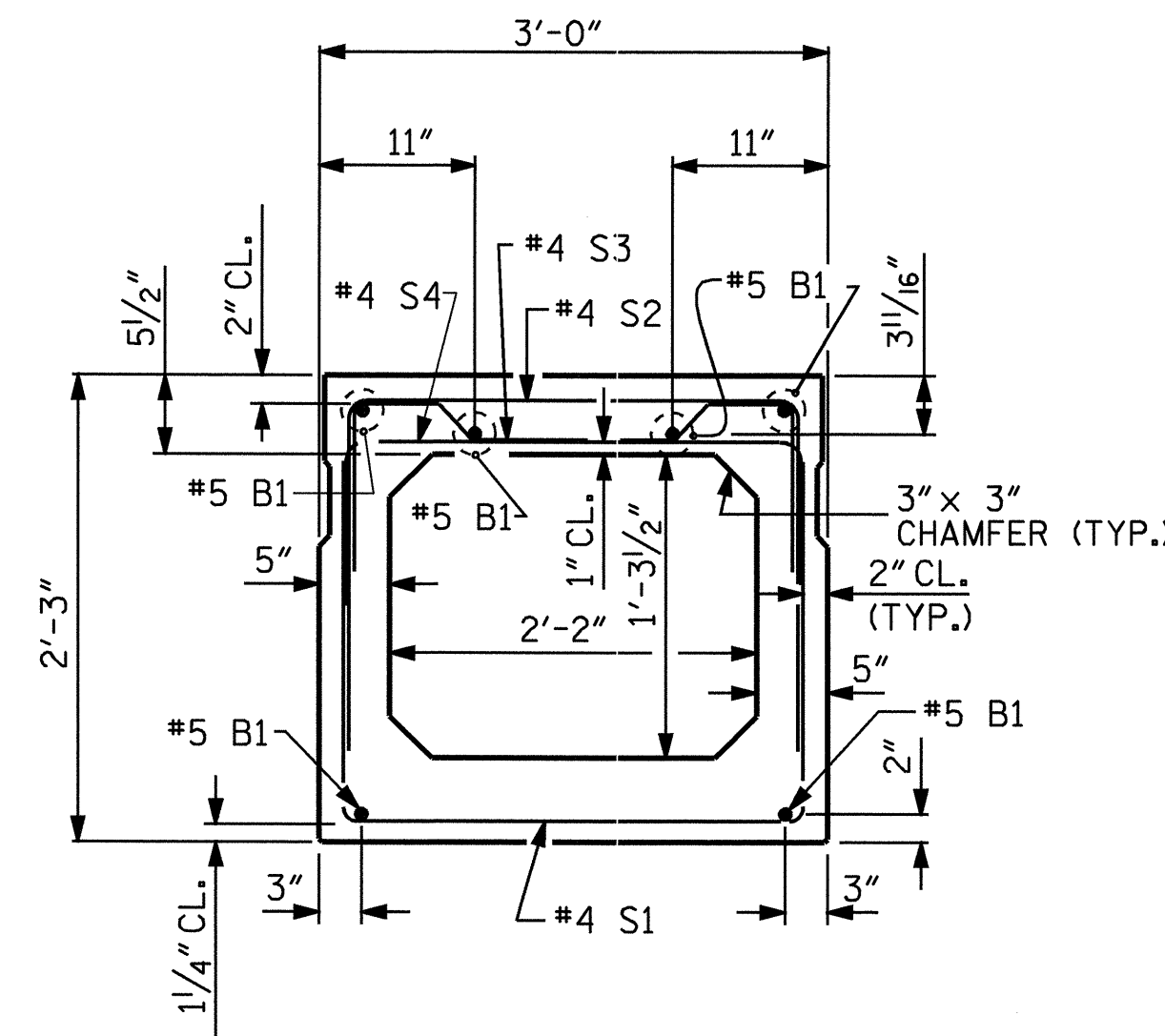
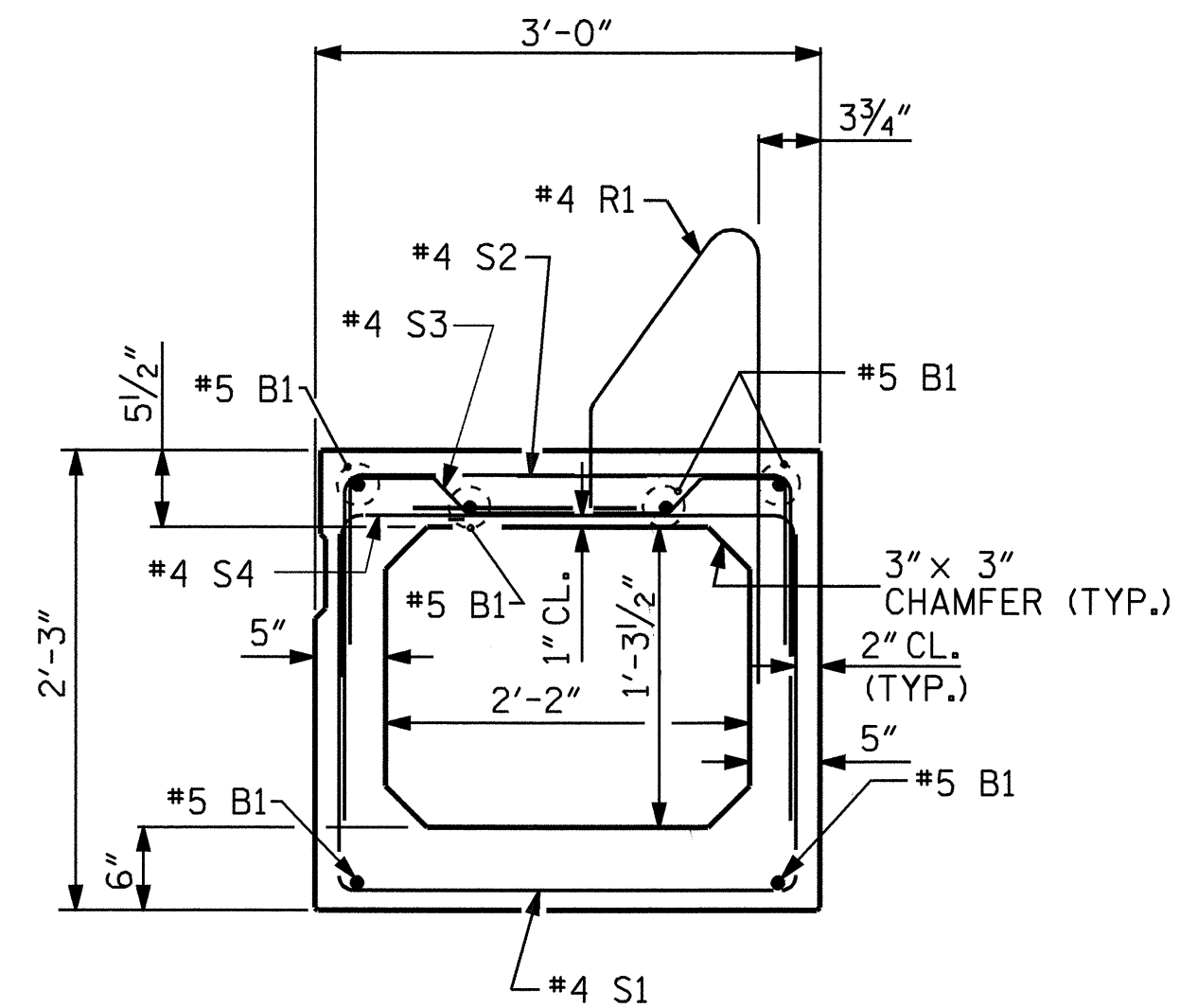


TYPICAL STRAND LOCATION

0.6" Ø LOW RELAXATION STRAND LAYOUT



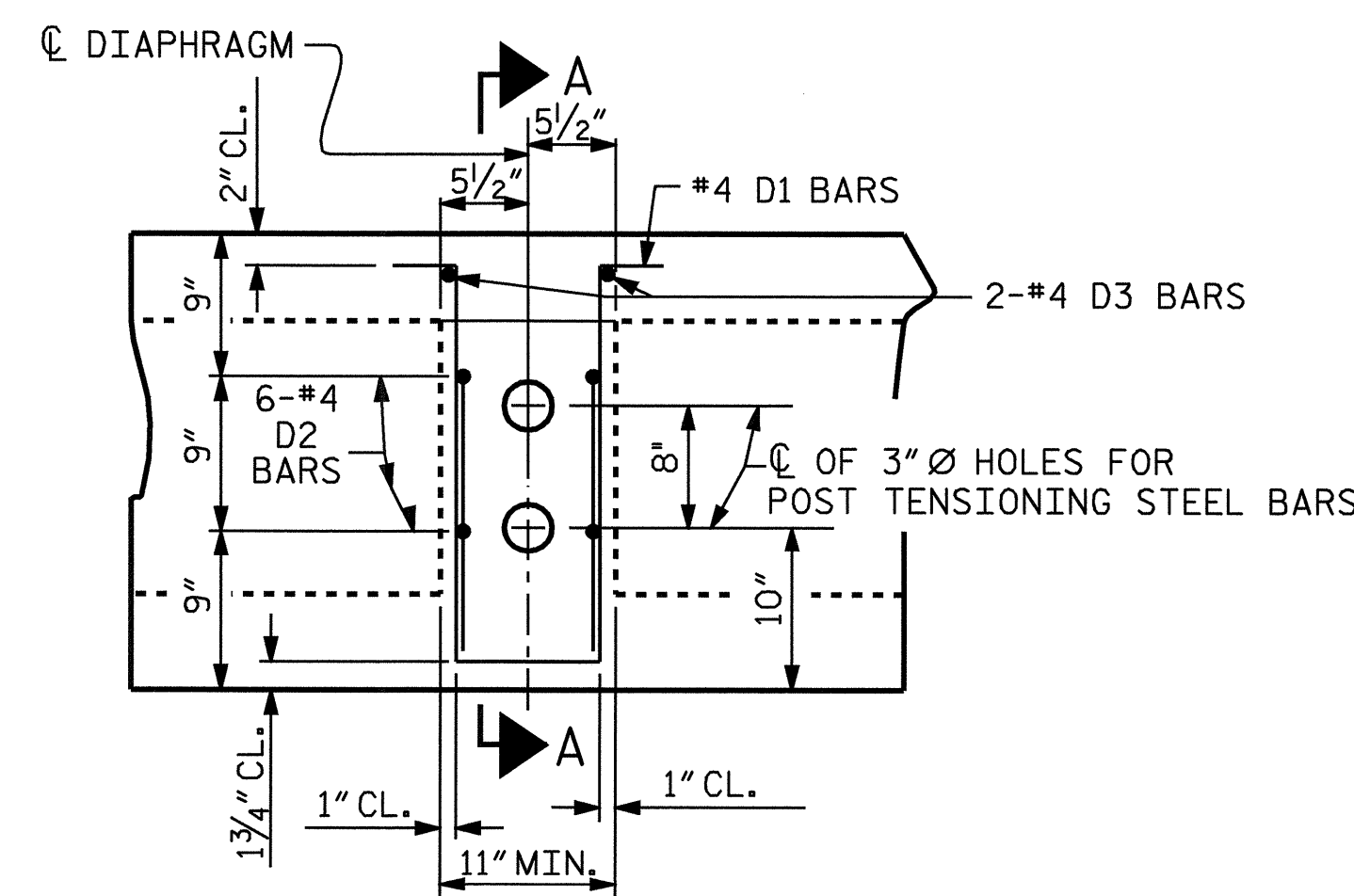
INTERIOR SECTION



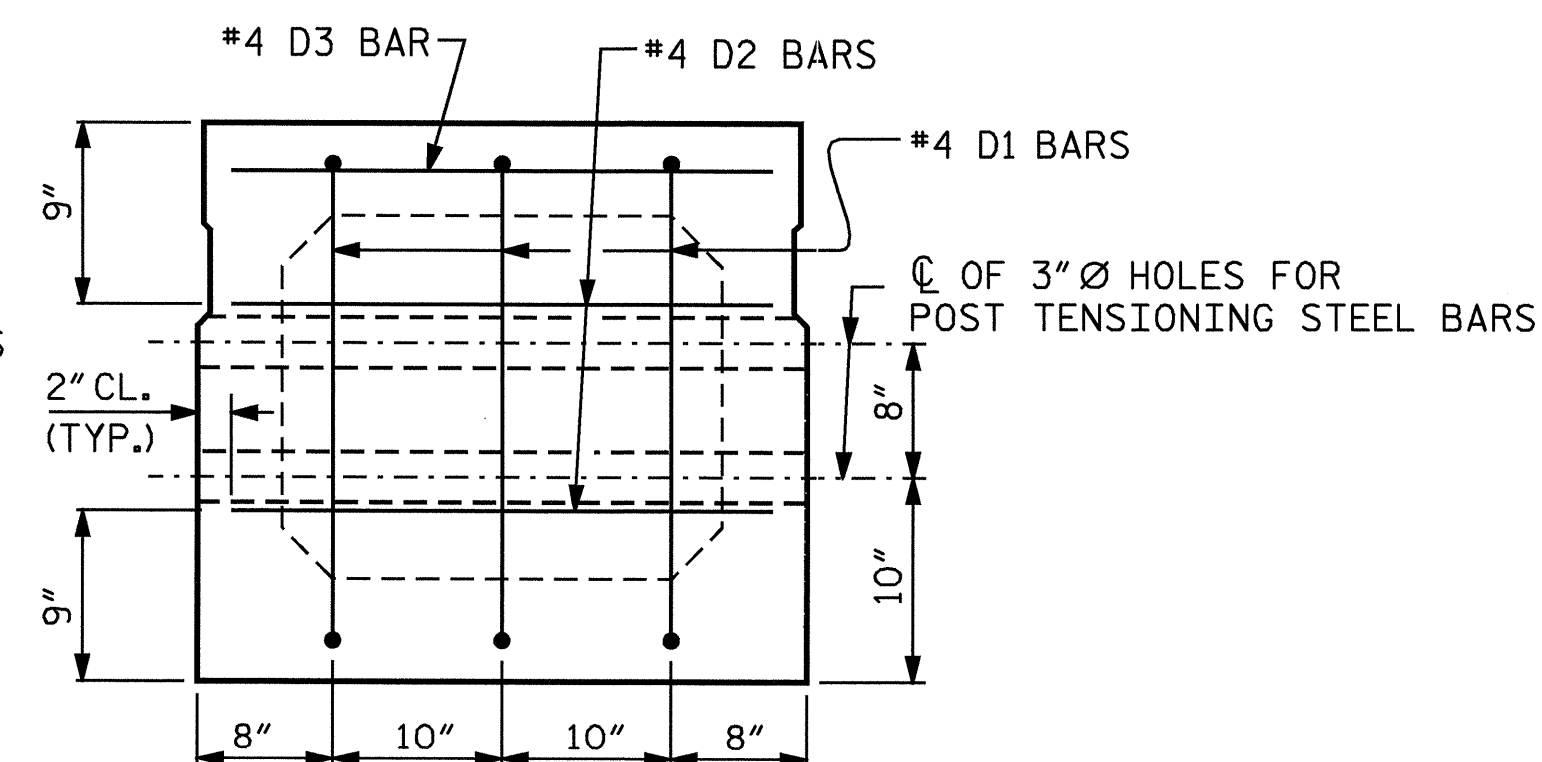
EXTERIOR SECTION

BOX BEAM SECTIONS

STRAND LAYOUT NOT SHOWN



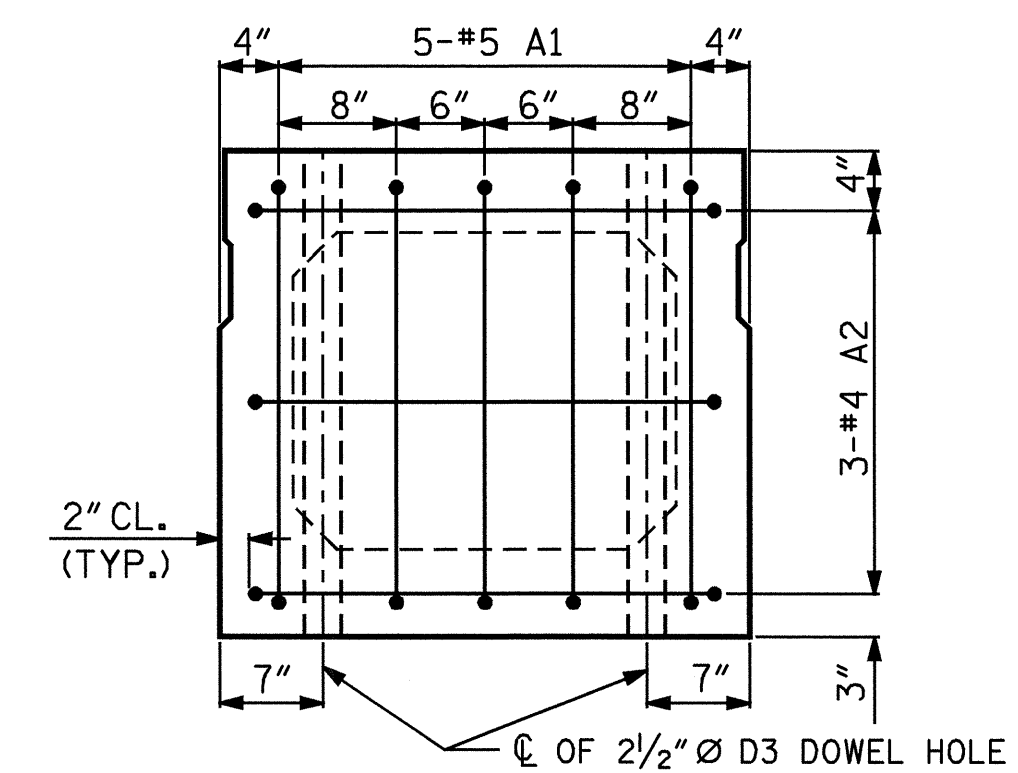
ELEVATION



SECTION A-A

DOUBLE DUCTS DIAPHRAGMS FOR 27" BOX BEAM

FOR LOCATION OF DIAPHRAGMS, SEE PLAN OF SPAN



END ELEVATION

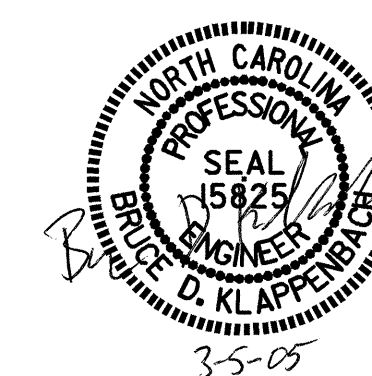
SHOWING PLACEMENT OF #4 & #5 "A" BARS AND LOCATION OF 2 1/2" Ø DOWEL HOLES. STRAND LAYOUT NOT SHOWN. INTERIOR SECTION SHOWN. EXTERIOR SECTION SIMILAR EXCEPT SHEAR KEY LOCATION.

PROJECT NO. B-4180
 MACON COUNTY
 STATION: 17+06.00 -L-

SHEET 3 OF 5

STATE OF NORTH CAROLINA
 DEPARTMENT OF TRANSPORTATION
 RALEIGH

3'-0" X 2'-3"
 PRESTRESSED CONCRETE
 BOX BEAM UNIT



DRAWN BY: J.B. WILSON DATE: 1/18/05
 CHECKED BY: D.A. GLADDEN DATE: 2/9/05

03-MAR-2005 15:07
 W:\squad\B4180\jwilson\MICROS\BOXBEA\B4180_01.DGN
 jwilson

REVISIONS						SHEET NO.
NO.	BY:	DATE:	NO.	BY:	DATE:	S-6
1			3			TOTAL SHEETS
2			4			18