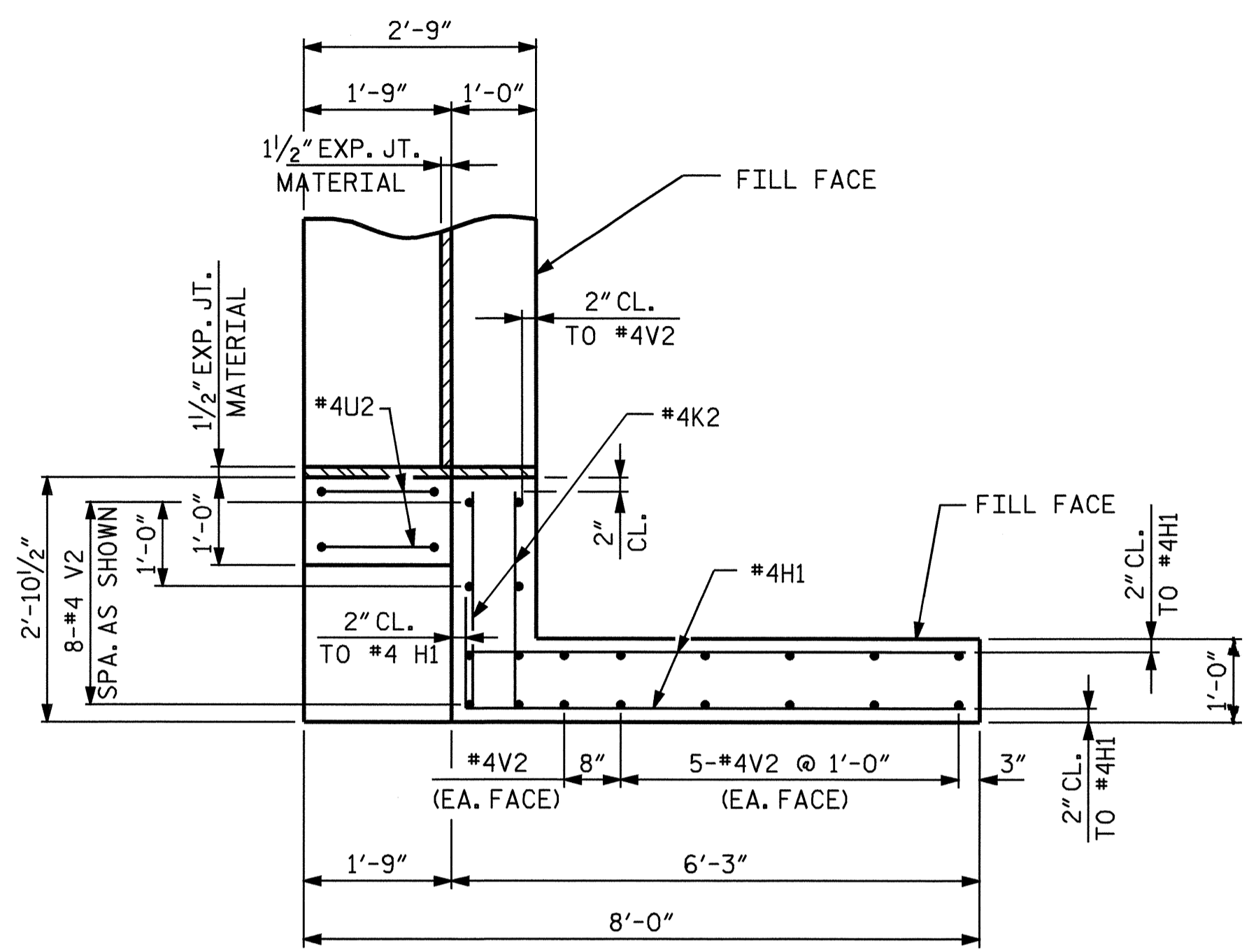
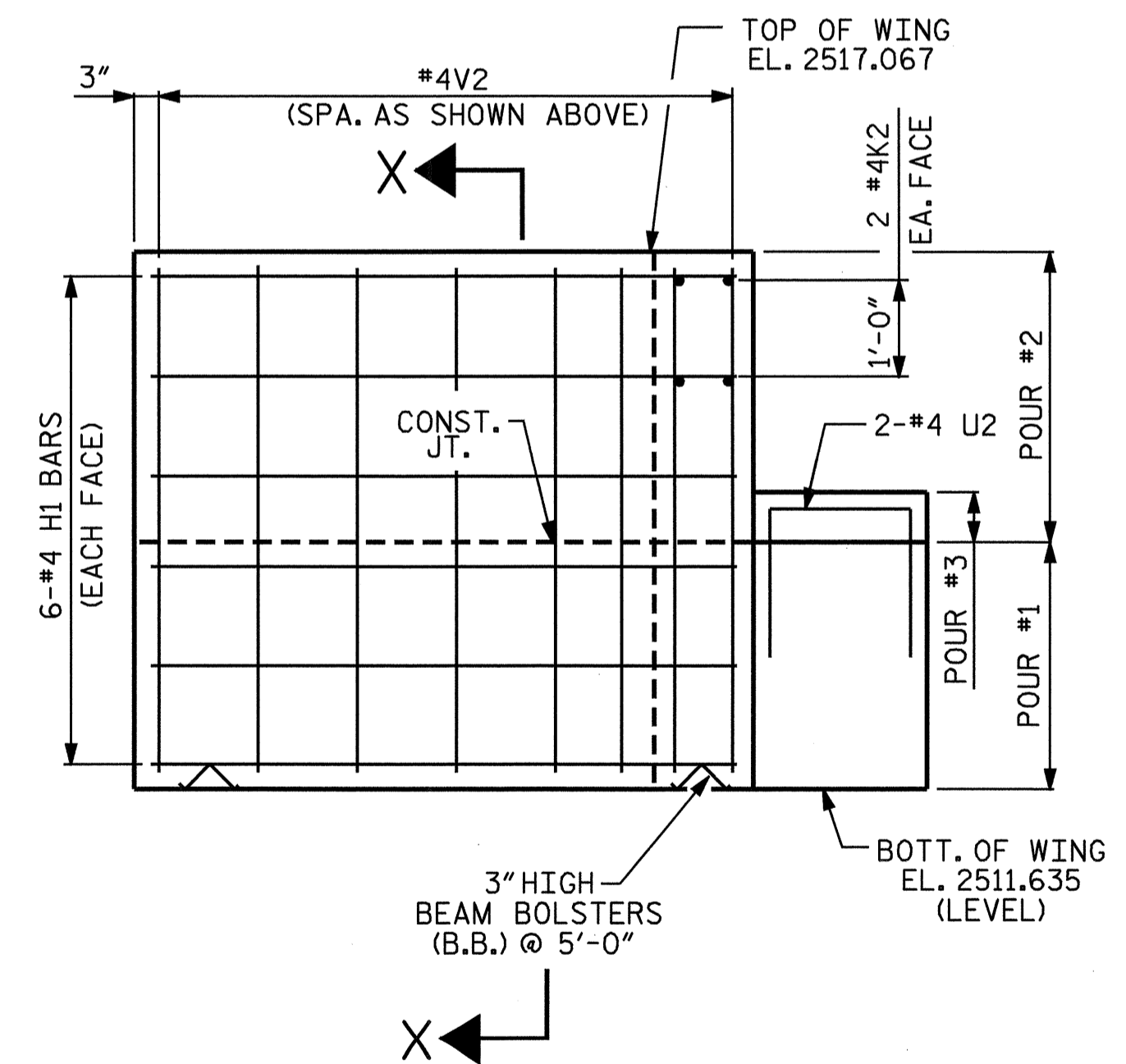


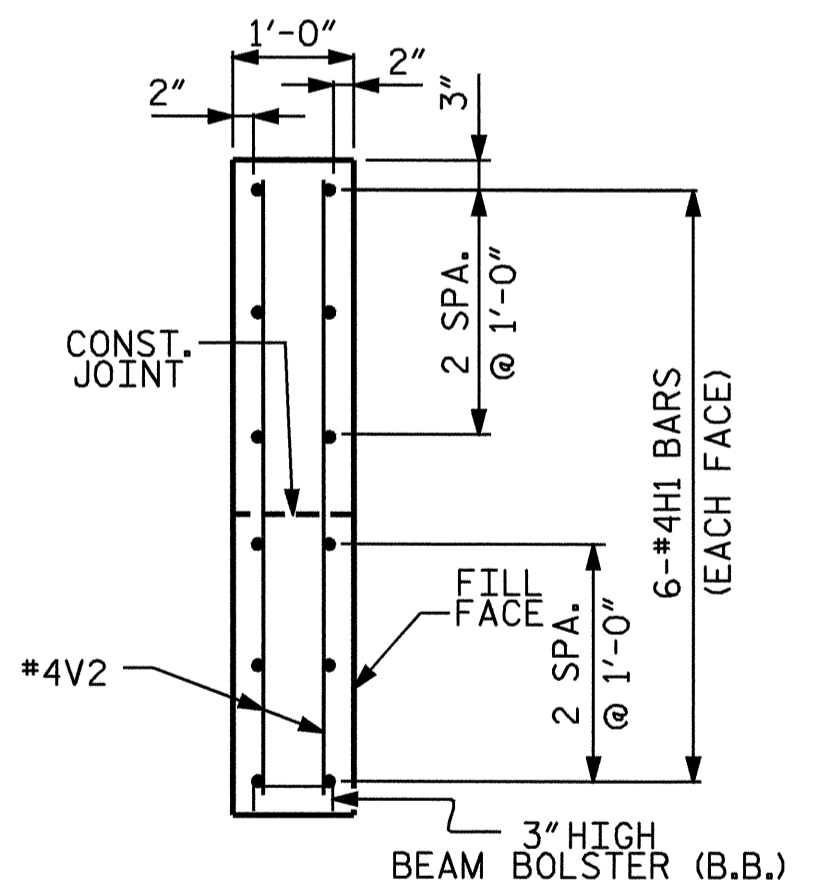
PLAN OF LEFT WING (W1)



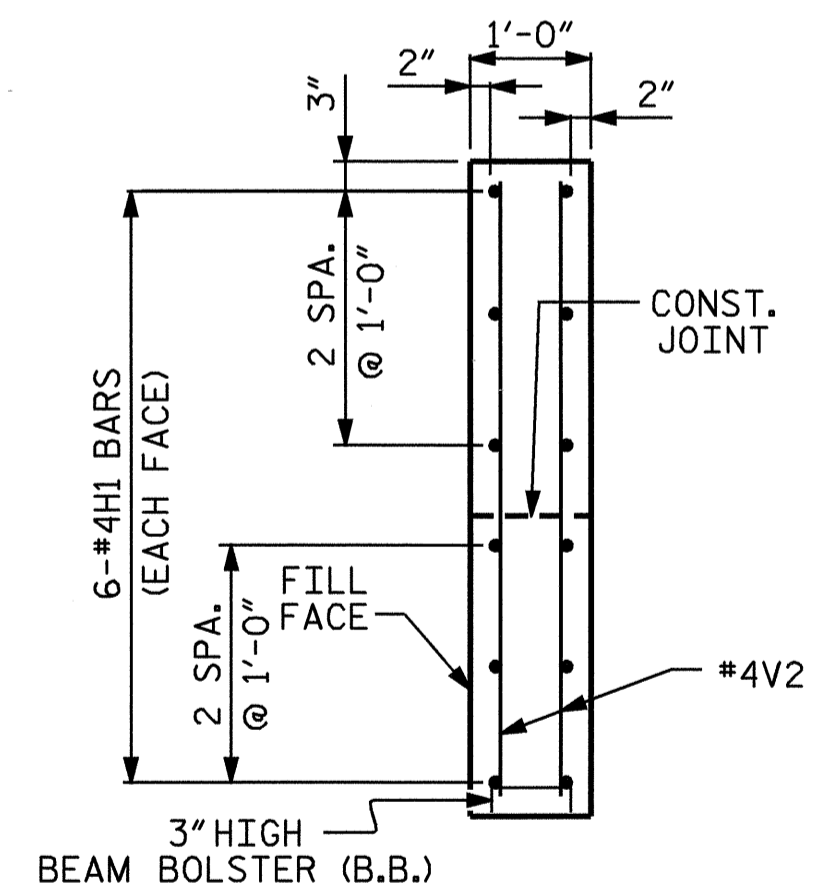
PLAN OF RIGHT WING (W2)



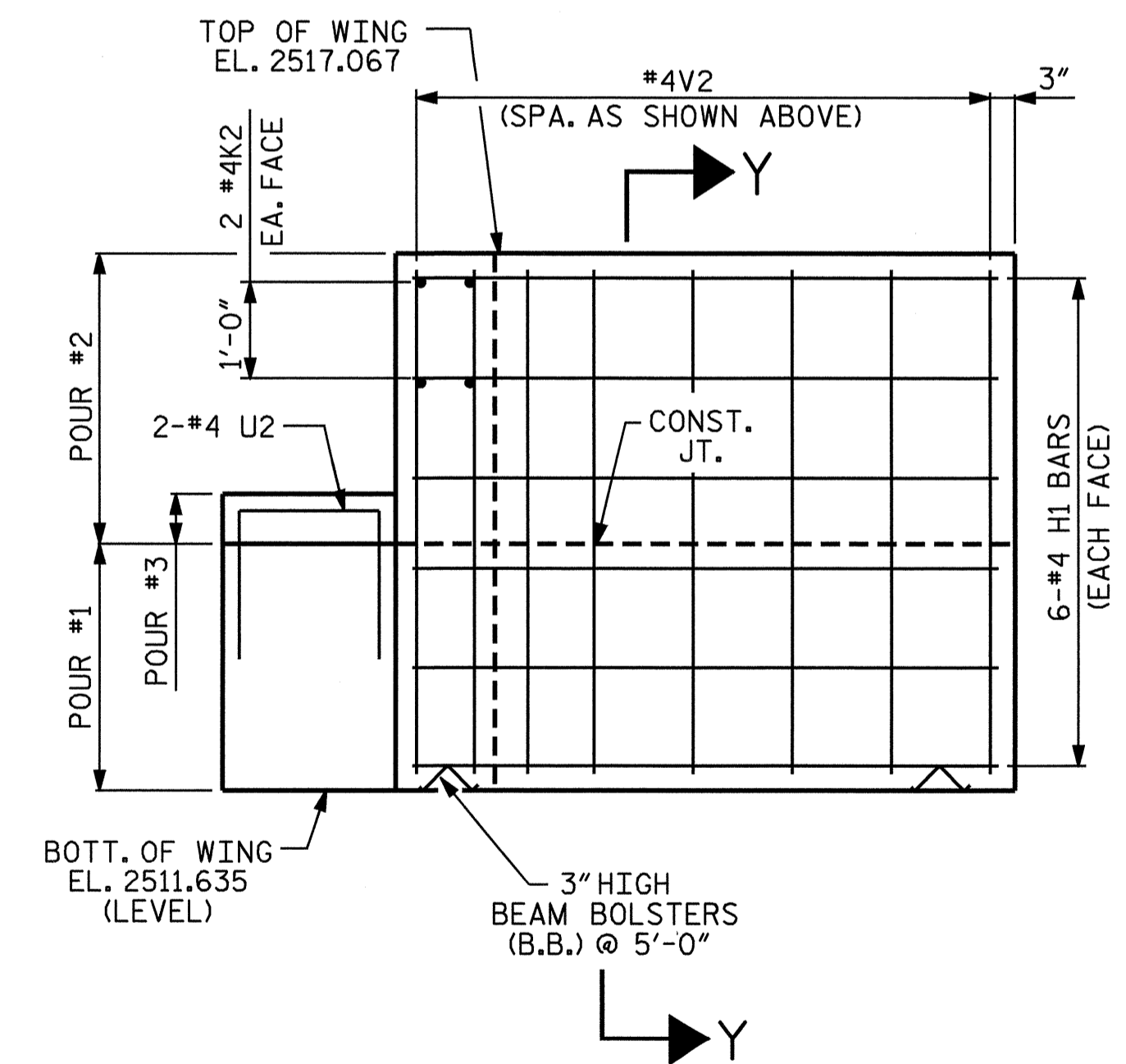
ELEVATION OF LEFT WING (W1)



SECTION X-X



SECTION Y-Y



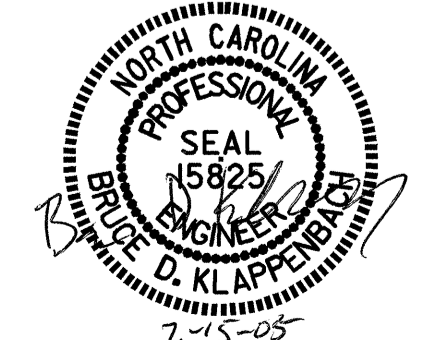
ELEVATION OF RIGHT WING (W2)

PROJECT NO. B-4180  
MACON COUNTY  
 STATION: 17+06.00 -L-

SHEET 2 OF 3

STATE OF NORTH CAROLINA  
 DEPARTMENT OF TRANSPORTATION  
 RALEIGH

SUBSTRUCTURE  
 END BENT #2



DRAWN BY: M. G. SHAIKH DATE: 01-14-05  
 CHECKED BY: J. B. WILSON DATE: 01-20-05

REVISIONS					SHEET NO.
NO.	BY:	DATE:	NO.	BY:	DATE:
1			3		
2			4		