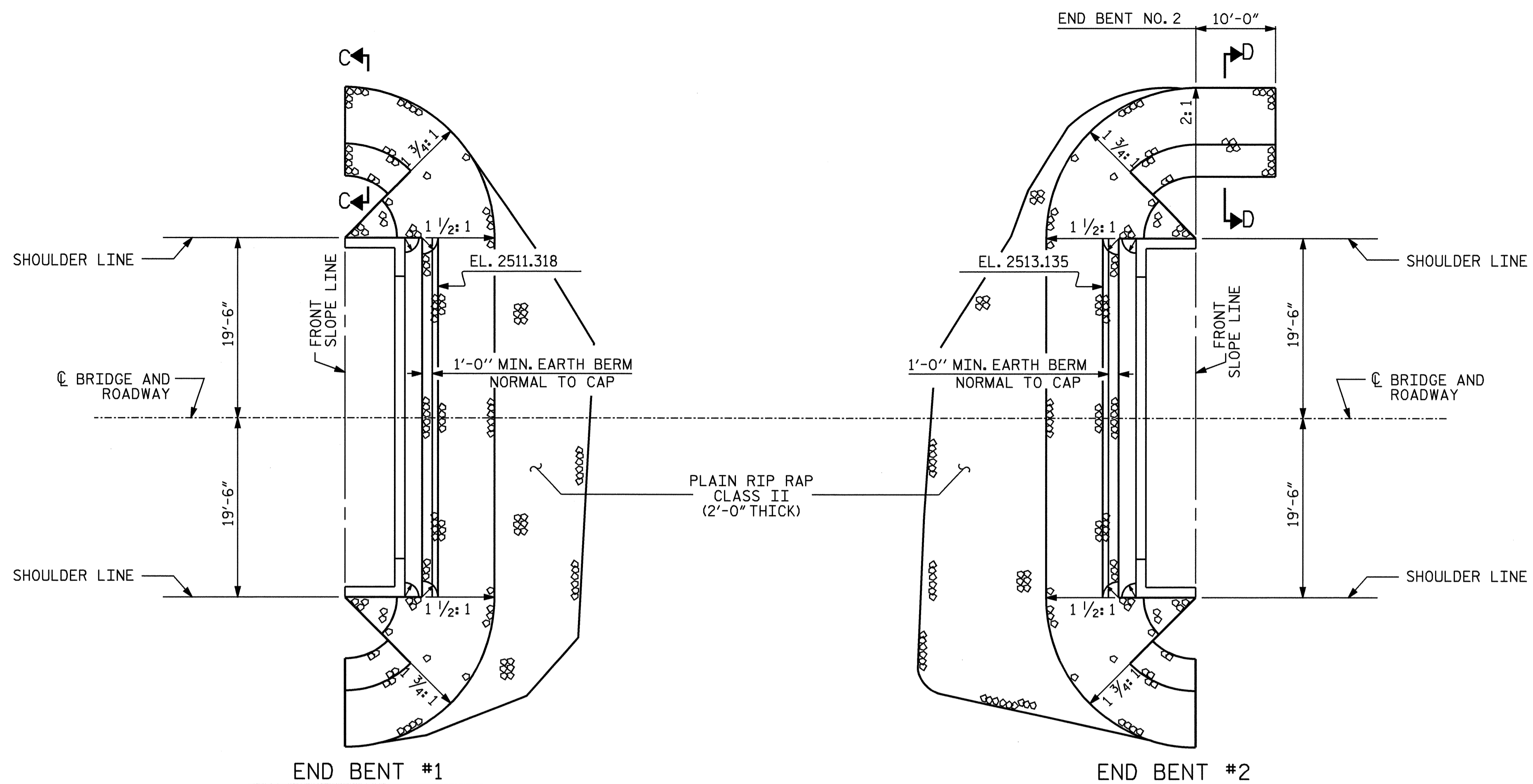


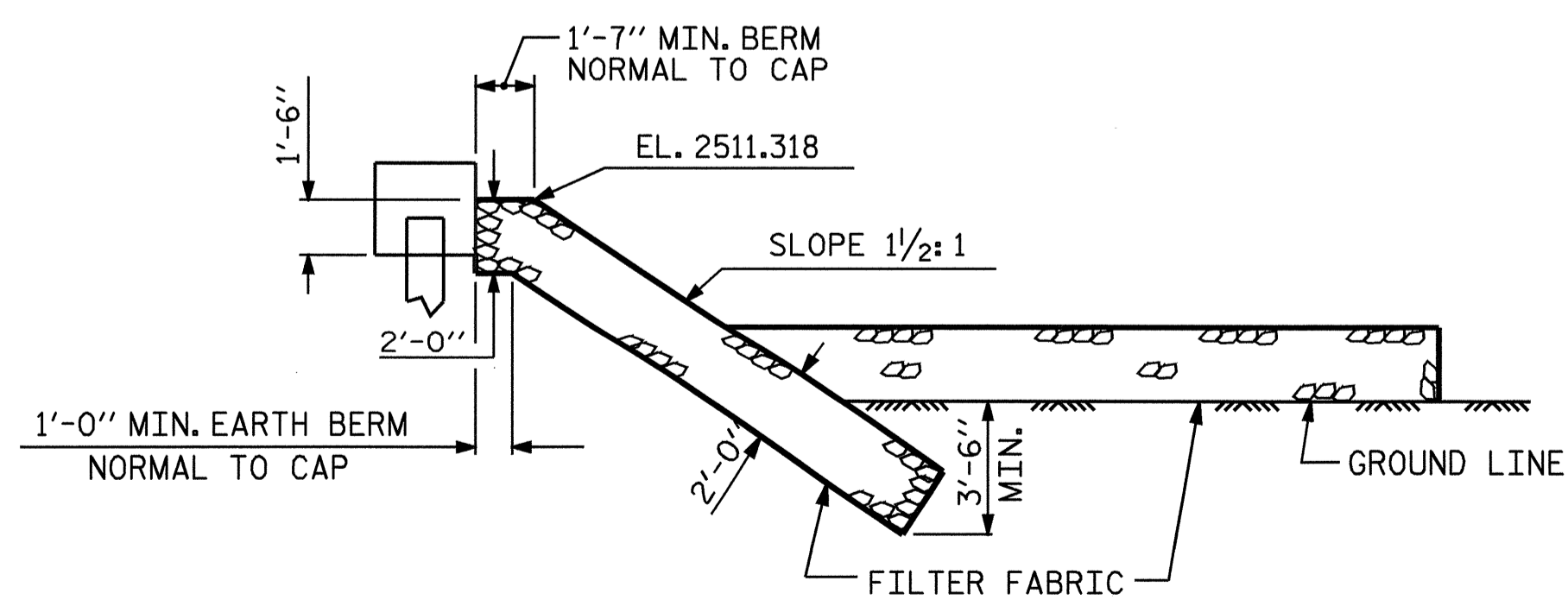
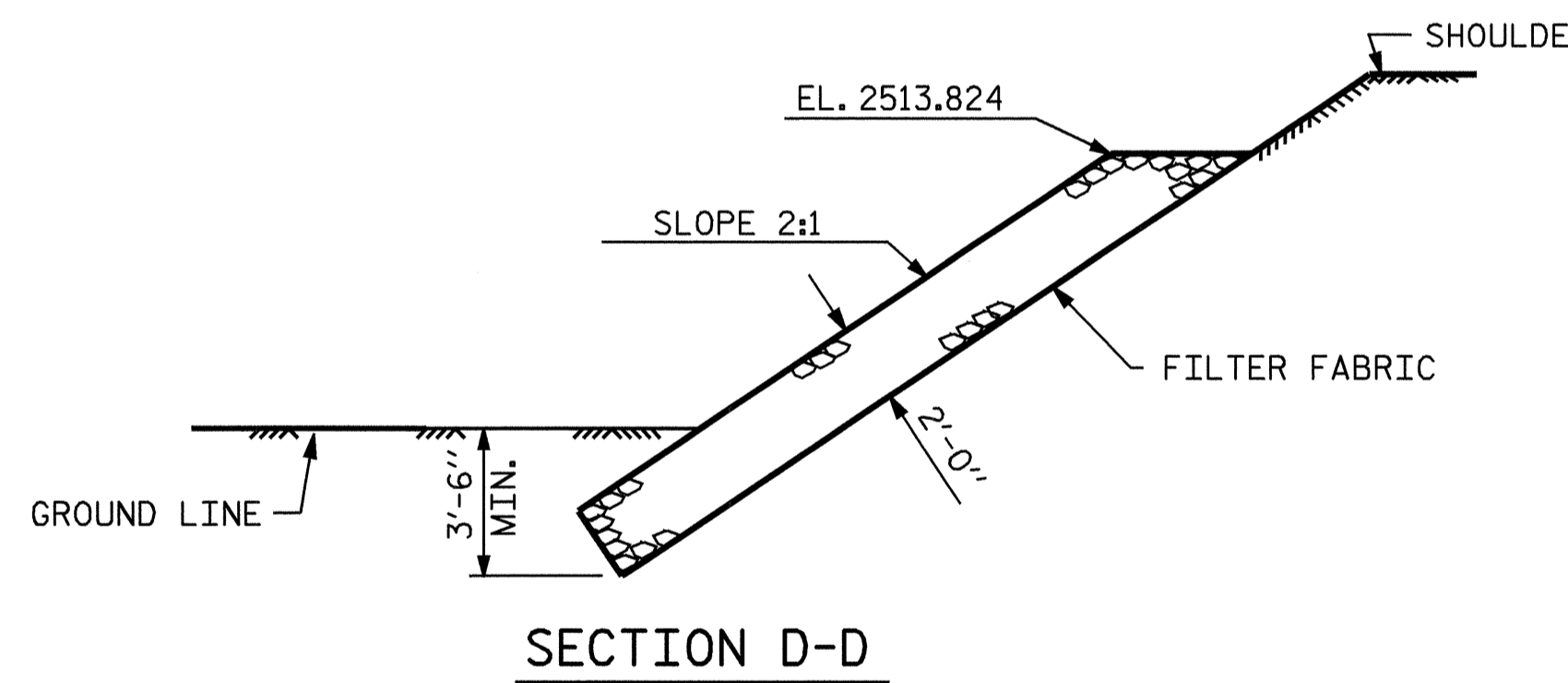
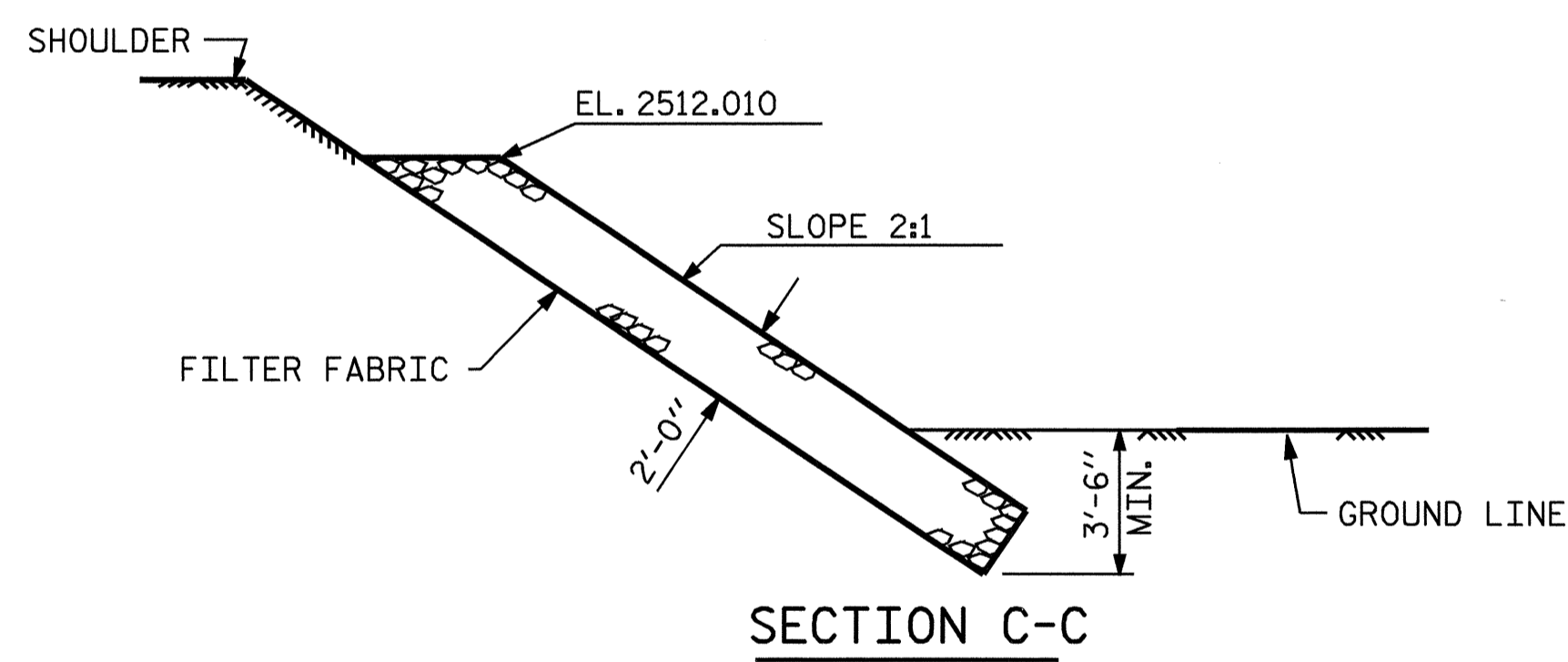
NOTES

FOR BERM WIDTH DIMENSIONS, SEE GENERAL DRAWING.
 THE COST OF THE FILTER FABRIC SHALL BE INCLUDED IN THE CONTRACT PRICE BID FOR PLAIN RIP RAP CLASS II.

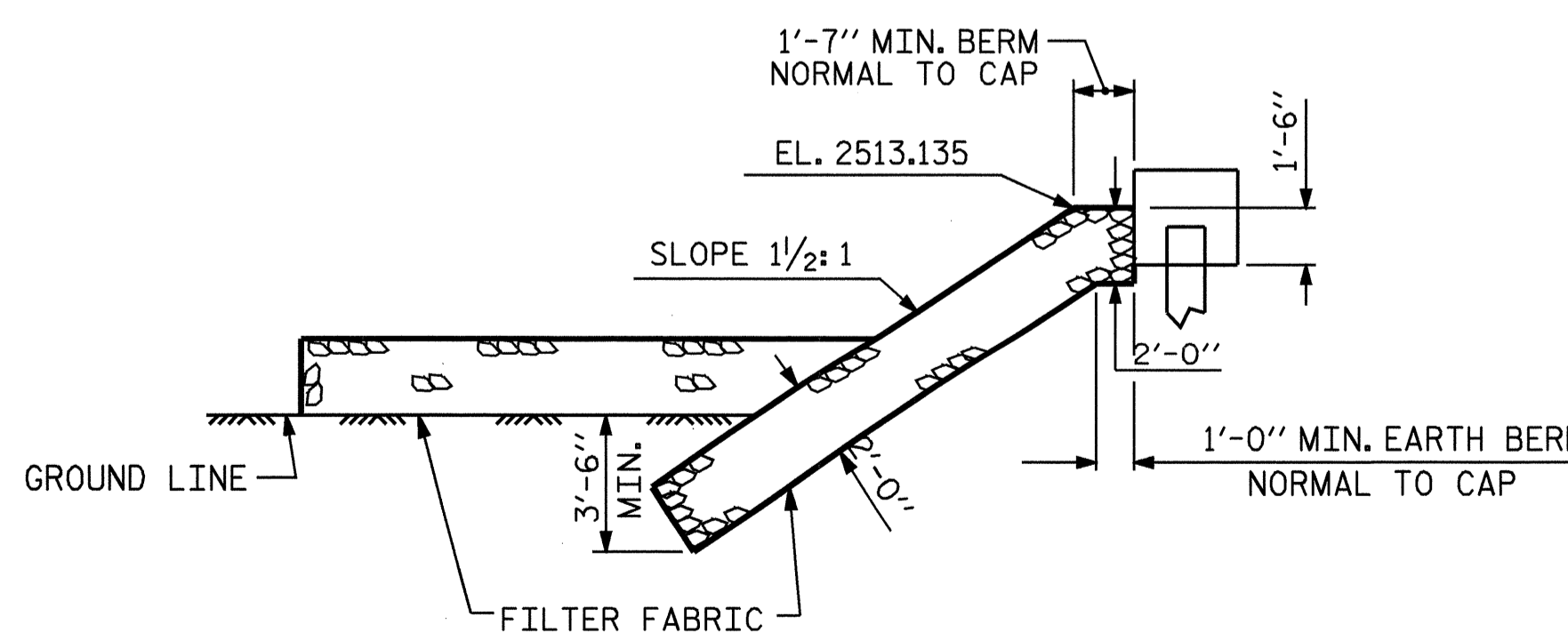


PLAN
 (BERM RIP RAPPED)

ESTIMATED QUANTITIES		
BRIDGE @ STA. 17+06.00 -L-	PLAIN RIP RAP CLASS II (2'-0" THICK)	FILTER FABRIC FOR DRAINAGE
	TONS	SQUARE YARDS
END BENT 1	91	101
END BENT 2	137	152



SECTION @ E.B. #1
 BERM RIP RAPPED

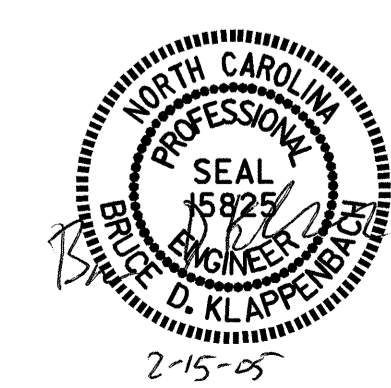


SECTION @ E.B. #2
 BERM RIP RAPPED

PROJECT NO. B-4180
 MACON COUNTY
 STATION: 17+06.00 -L-

SHEET 1 OF 1

STATE OF NORTH CAROLINA
 DEPARTMENT OF TRANSPORTATION
 RALEIGH
 STANDARD
 RIP RAP DETAILS



ASSEMBLED BY : J.B. WILSON DATE : 10/19/04
 CHECKED BY : G.M. PATTERSON DATE : 10/22/04
 DRAWN BY : FCJ 2/88 REV. 7/17/98 REK/RWW
 CHECKED BY : ARB 8/88 REV. 8/16/99 RWW/LES
 REV. 10/17/00 RWW/LES

REVISIONS						SHEET NO.	
NO.	BY:	DATE:	NO.	BY:	DATE:	S-15	
1			3			TOTAL SHEETS	
2			4			18	