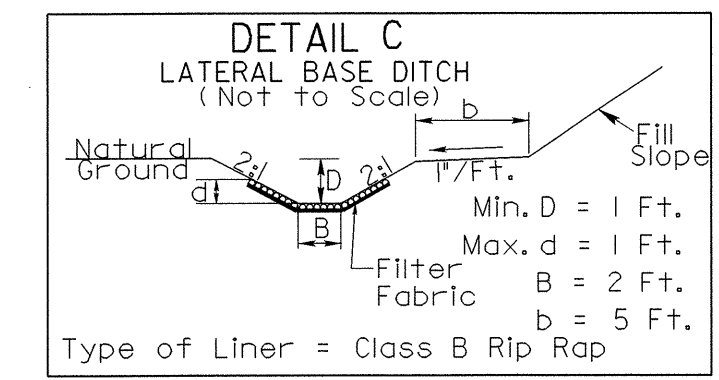
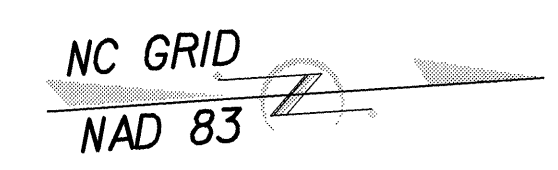
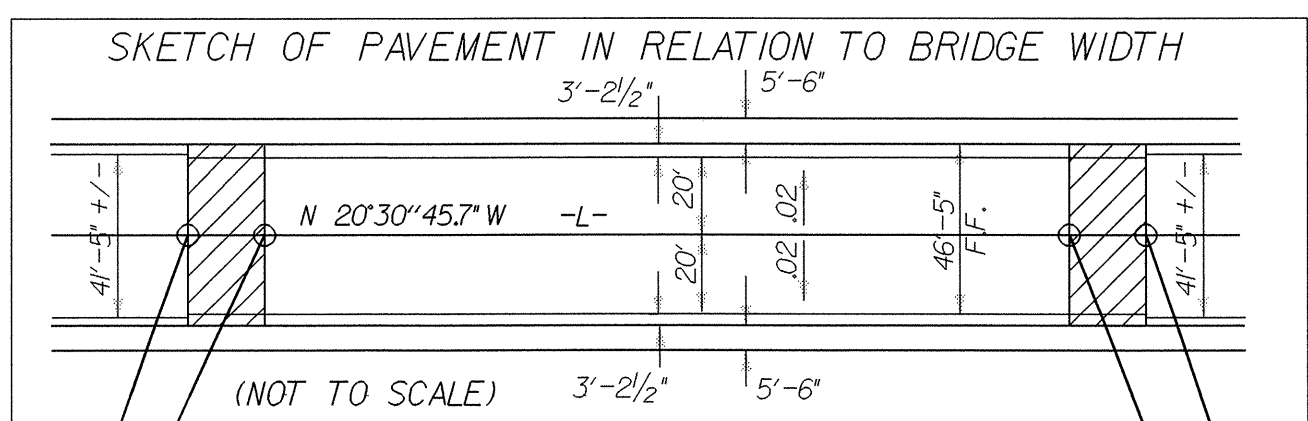


UTILITIES BY OTHERS

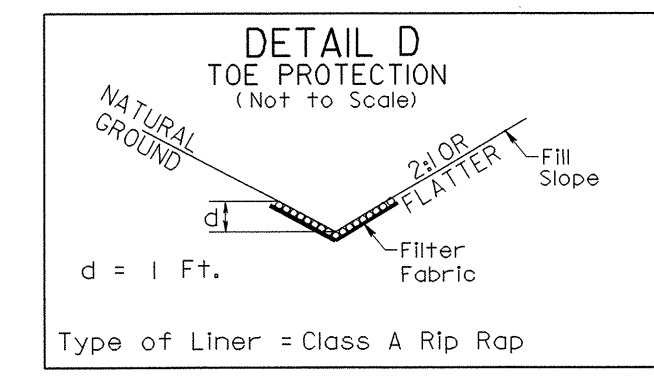
NOTE:
ALL PROPOSED UTILITY WORK
SHOWN ON THIS SHEET WILL
BE DONE BY OTHERS

-DET2- CURVE DATA

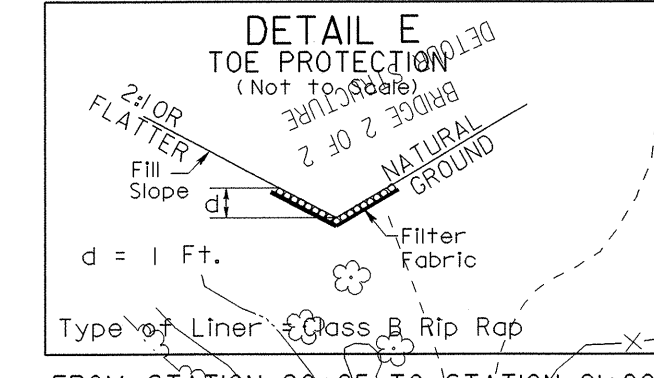
PI Sta 0+98.98 Δ = 29° 12' 00.9" (LT) D = 15° 04' 40.2" L = 193.66' T = 98.98' R = 380.00' SE = SEE PLANS RUNOFF = SEE PLANS V = 35 MPH	PI Sta 3+99.49 Δ = 56° 52' 59.8" (RT) D = 15° 04' 40.2" L = 377.26' T = 205.82' R = 380.00' SE = 0.06 RUNOFF = SEE PLANS V = 35 MPH	PI Sta 6+78.43 Δ = 31° 35' 31.1" (LT) D = 15° 04' 40.2" L = 209.53' T = 107.50' R = 380.00' SE = SEE PLANS RUNOFF = SEE PLANS V = 35 MPH
---	---	--



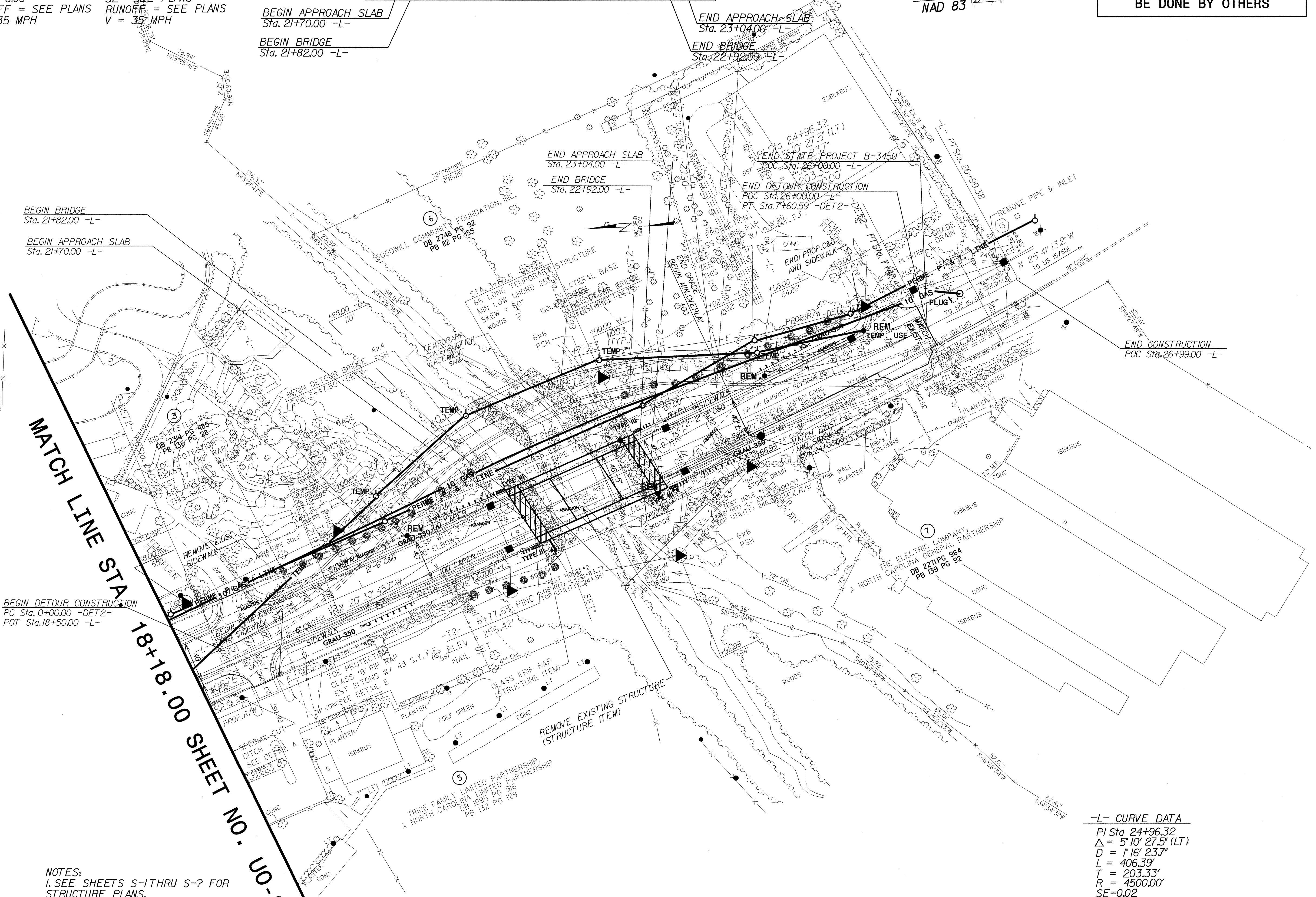
FROM STATION 21+00 TO STATION 21+50 LT.
FROM STATION 22+85 TO STATION 23+40 LT.



FROM STATION 19+25 TO STATION 21+00 LT.
FROM STATION 23+40 TO STATION 25+20 LT.



FROM STATION 20+85 TO STATION 21+80 RT.



- NOTES:**
- SEE SHEETS S-1 THRU S-7 FOR STRUCTURE PLANS.
 - SEE SHEET 6 FOR -L- GRADE & PROFILE & SHEET 7 FOR -DET2- GRADE & PROFILE.
 - ALL PROPOSED DRIVEWAY RADII 25 FT UNLESS OTHERWISE SHOWN.
 - FLAT GRATES TO BE USED ON ENTIRE PROJECT.



-L- CURVE DATA

PI Sta 24+96.32 Δ = 5° 10' 27.5" (LT) D = 1° 16' 23.7" L = 406.39' T = 203.33' R = 4500.00' SE = 0.02 RUNOFF = SEE PLANS V = 45 MPH

8/17/99
16-MAR-2004 09:13
C:\Users\james\Documents\B3450_UO-3.dgn