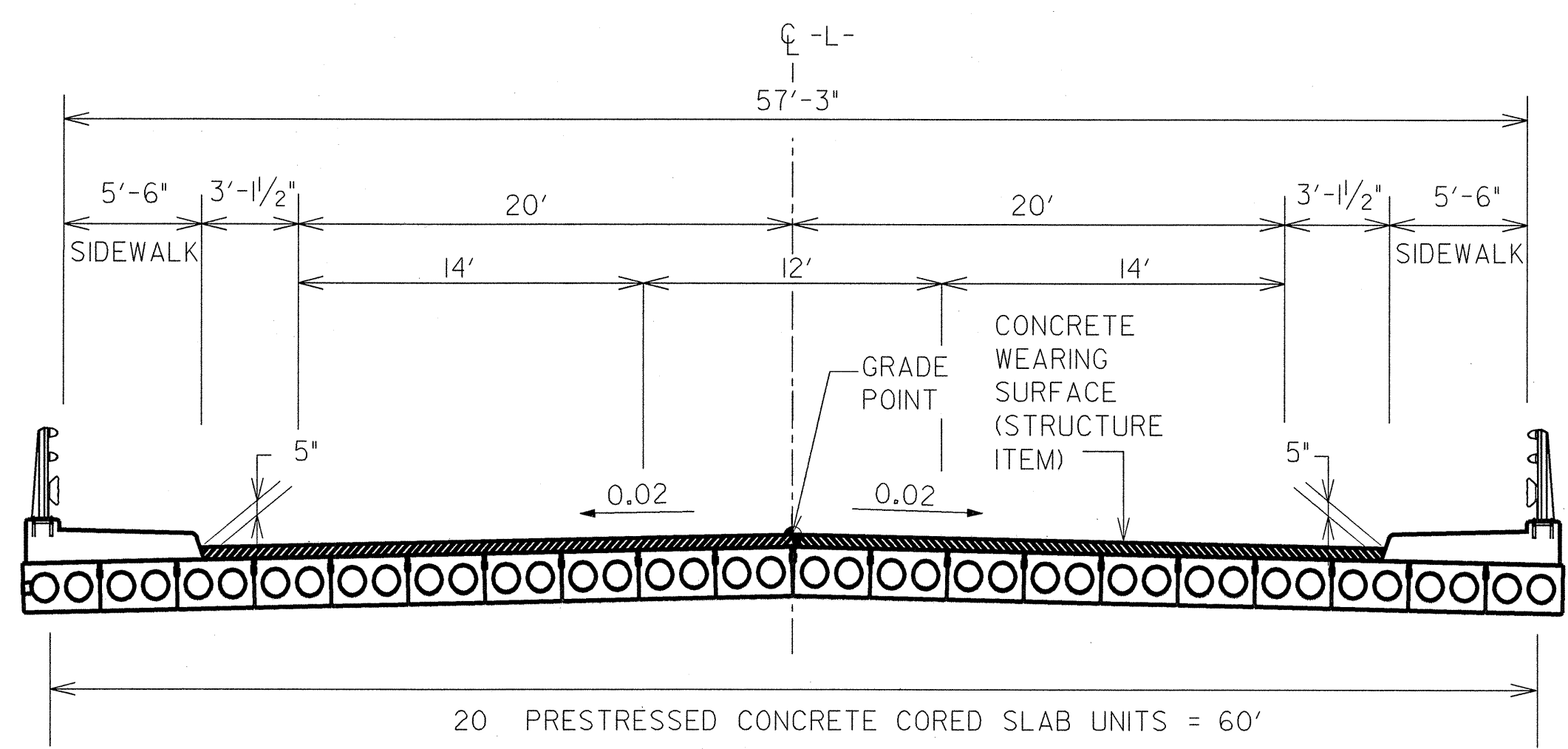


TYPICAL SECTION NO.7

-DET1- STA. 1+12.19 TO STA. 6+84.08
-DET2- STA. 1+48.07 TO STA. 3+50.00 (BEGIN BRIDGE)
-DET2- STA. 4+20.00 (END BRIDGE) TO STA. 5+86.05



TYPICAL SECTION NO.8

-L- STA. 13+86.00 TO STA. 14+76.00
-L- STA. 21+82.00 TO STA. 22+92.00

PAVEMENT SCHEDULE

CODE	DESCRIPTION
(C1)	PROP. APPROX. 1/4" ASPHALT CONC. SURFACE COURSE, TYPE S9.5B, AT AN AVERAGE RATE OF 140 LBS PER SQ. YARD.
(C2)	PROP. APPROX. 2 1/2" ASPHALT CONC. SURFACE COURSE, TYPE S9.5B, AT AN AVERAGE RATE OF 140 LBS PER SQ. YARD IN EACH OF TWO LAYERS.
(C3)	PROP. VAR. DEPTH ASPHALT CONC. SURFACE COURSE, TYPE S9.5B, AT AN AVERAGE RATE OF 112 LBS PER SQ. YARD PER 1" DEPTH TO BE PLACED IN LAYERS NOT TO EXCEED 1 1/2" IN DEPTH.
(D1)	PROP. APPROX. 2 1/2" ASPHALT CONC. INTERMEDIATE COURSE, TYPE I19.0B, AT AN AVERAGE RATE OF 285 LBS PER SQ. YARD.
(D2)	PROP. APPROX. 4 1/2" ASPHALT CONC. INTERMEDIATE COURSE, TYPE I19.0B, AT AN AVERAGE RATE OF 256.5 LBS PER SQ. YARD IN EACH OF TWO LAYERS.
(D3)	PROP. VAR. DEPTH ASPHALT CONC. INTERMEDIATE COURSE, TYPE I19.0B, AT AN AVERAGE RATE OF 114 LBS. PER SQ. YD. PER 1" DEPTH. TO BE PLACED IN LAYERS NOT LESS THAN 2/4" IN DEPTH OR GREATER THAN 4" IN DEPTH.
(E1)	PROP. APPROX. 5 1/2" ASPHALT CONC. BASE COURSE, TYPE B25.0B, AT AN AVERAGE RATE OF 627 LBS PER SQ. YARD.
(E2)	PROP. APPROX. 3" ASPHALT CONC. BASE COURSE, TYPE B25.0B, AT AN AVERAGE RATE OF 342 LBS PER SQ. YARD.
(E3)	PROP. VAR. DEPTH ASPHALT CONC. BASE COURSE, TYPE B25.0B, AT AN AVERAGE RATE OF 114 LBS PER SQ. YARD PER 1" DEPTH. TO BE PLACED IN LAYERS NOT GREATER THAN 5 1/2" IN DEPTH OR LESS THAN 3" IN DEPTH.
(R)	2'-6" CONCRETE CURB AND GUTTER.
(S)	4" CONCRETE SIDEWALK.
(T)	EARTH MATERIAL.
(U)	EXISTING PAVEMENT MATERIAL.
(V)	MILLING BITUMINOUS PAVEMENT, 1/4" DEPTH.
(W)	VAR. DEPTH ASPHALT PAVEMENT. (SEE WEDGING DETAIL)

USE 1:1 PAVEMENT EDGE SLOPES UNLESS OTHERWISE NOTED

REVISIONS

8/17/09

8/17/09