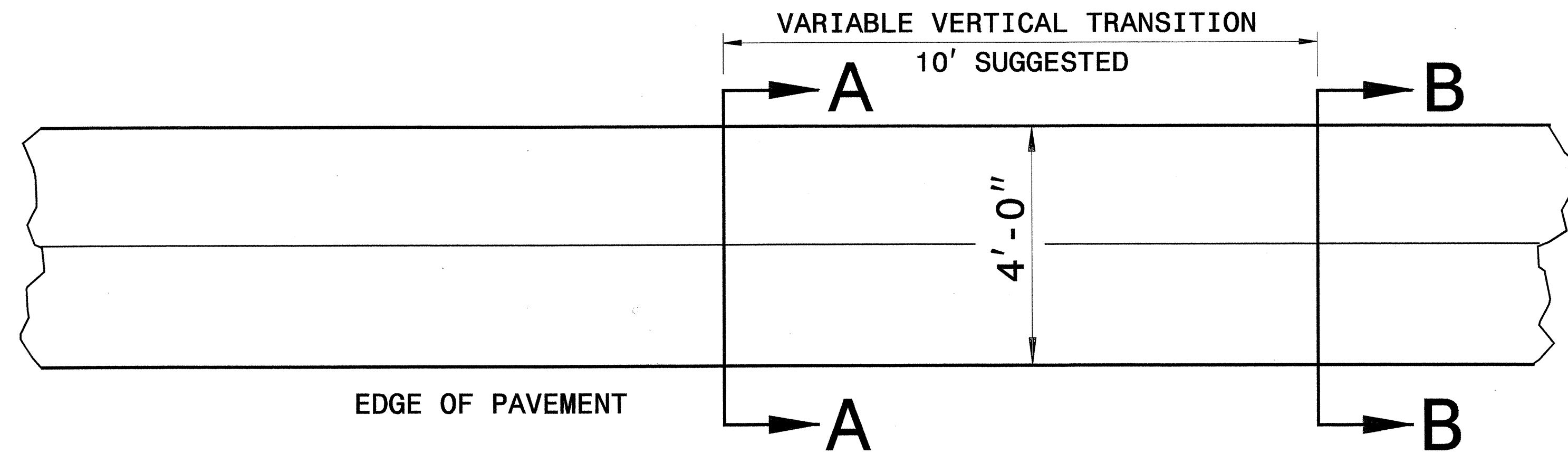
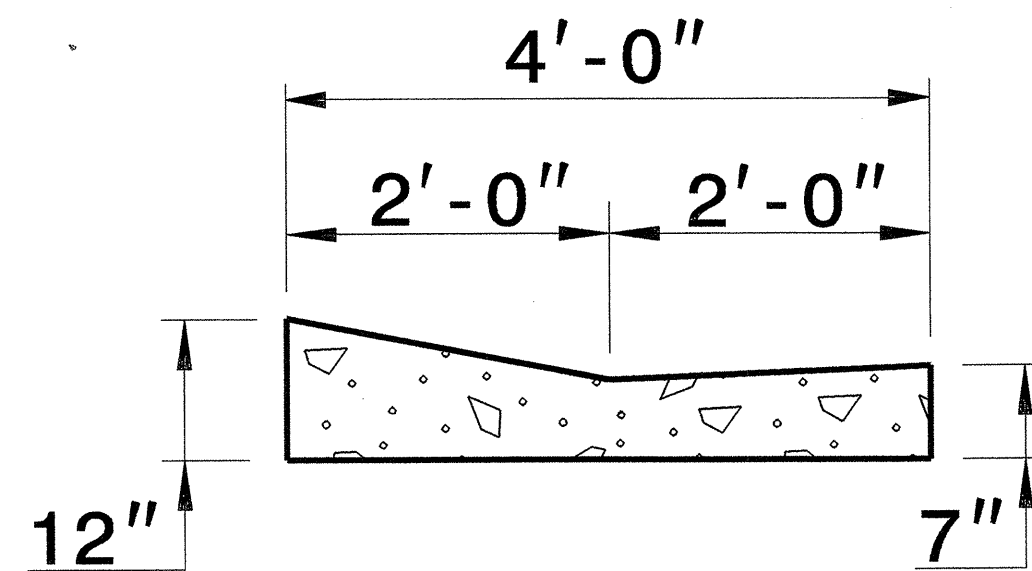


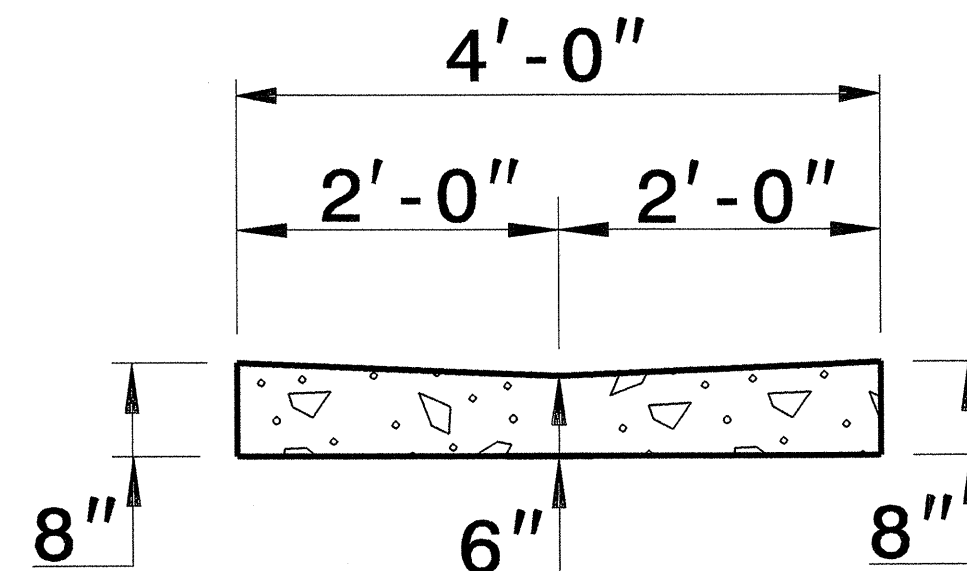
5/14/99



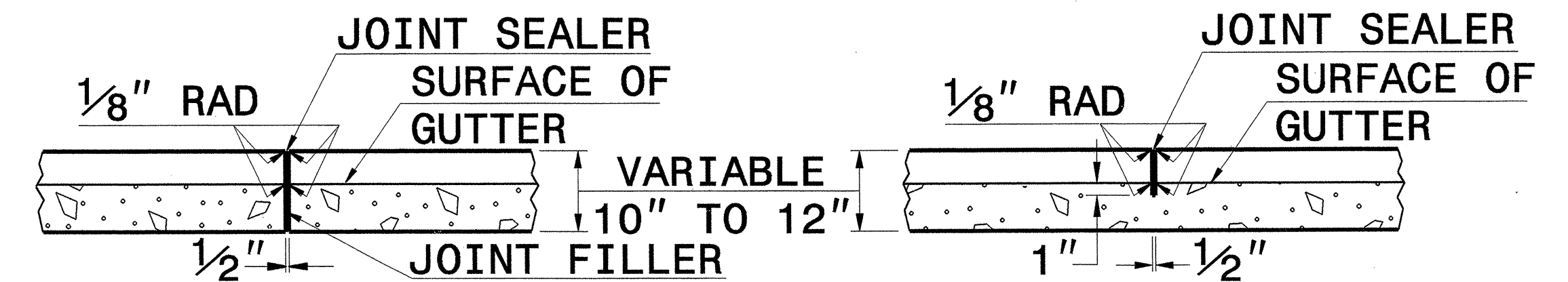
PLAN VIEW
EXPRESSWAY GUTTER TO VALLEY GUTTER



SECTION A-A
EXPRESSWAY GUTTER



SECTION B-B
VALLEY GUTTER

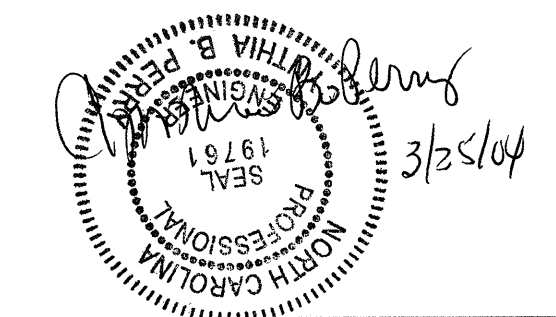


EXPANSION JOINT

CONTRACTION JOINT

NOTES:

- IN THE TRANSITION FROM 4'-0" CONCRETE EXPRESSWAY GUTTER TO 4'-0" CONCRETE VALLEY GUTTER IF REQUIRED, PLACE 1/2" EXPANSION JOINTS AT 25' INTERVALS.
- PLACE GROOVE JOINTS 1" DEEP AT 12'-6" INTERVALS BETWEEN EXPANSION JOINTS.
- FILL AND SEAL THE TOP 1/2" OF THE EXPANSION JOINTS AND 1/2" OF CONTRACTION JOINTS WITH APPROVED JOINT SEALING COMPOUND.
- PAYMENT FOR ANY MODIFICATION OF EXPRESSWAY CONCRETE GUTTER IS TO BE PAID FOR PER SPECIAL PROVISION.



DESIGN SERVICES UNIT
STANDARDS AND SPECIAL DESIGN
Office 919-250-4128 FAX 919-250-4119

TRANSITION DETAIL FOR
VALLEY GUTTER

ORIGINAL BY: RN Britt	DATE: Oct. 16, 2002
MODIFIED BY: H. Schwab	DATE: Feb. 19, 2003
CHECKED BY: <i>[Signature]</i>	DATE: 3-03
FILE SPEC.: <i>[Signature]</i>	

03-MAR-2003 10:31
M:\Special\Debris\CompletedProjects\B-3450\B3450\expressgutter.dgn
rbritt.ctb Alt DS188629

NBRIIT-ENGLISH-EXPRESSWAY TO VALLEY GUTTER.DGN