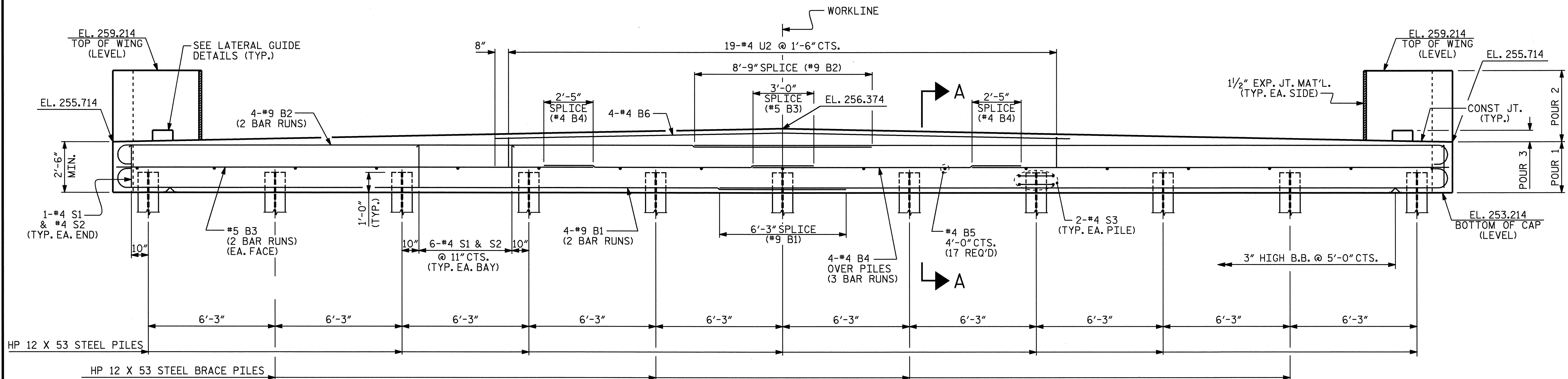
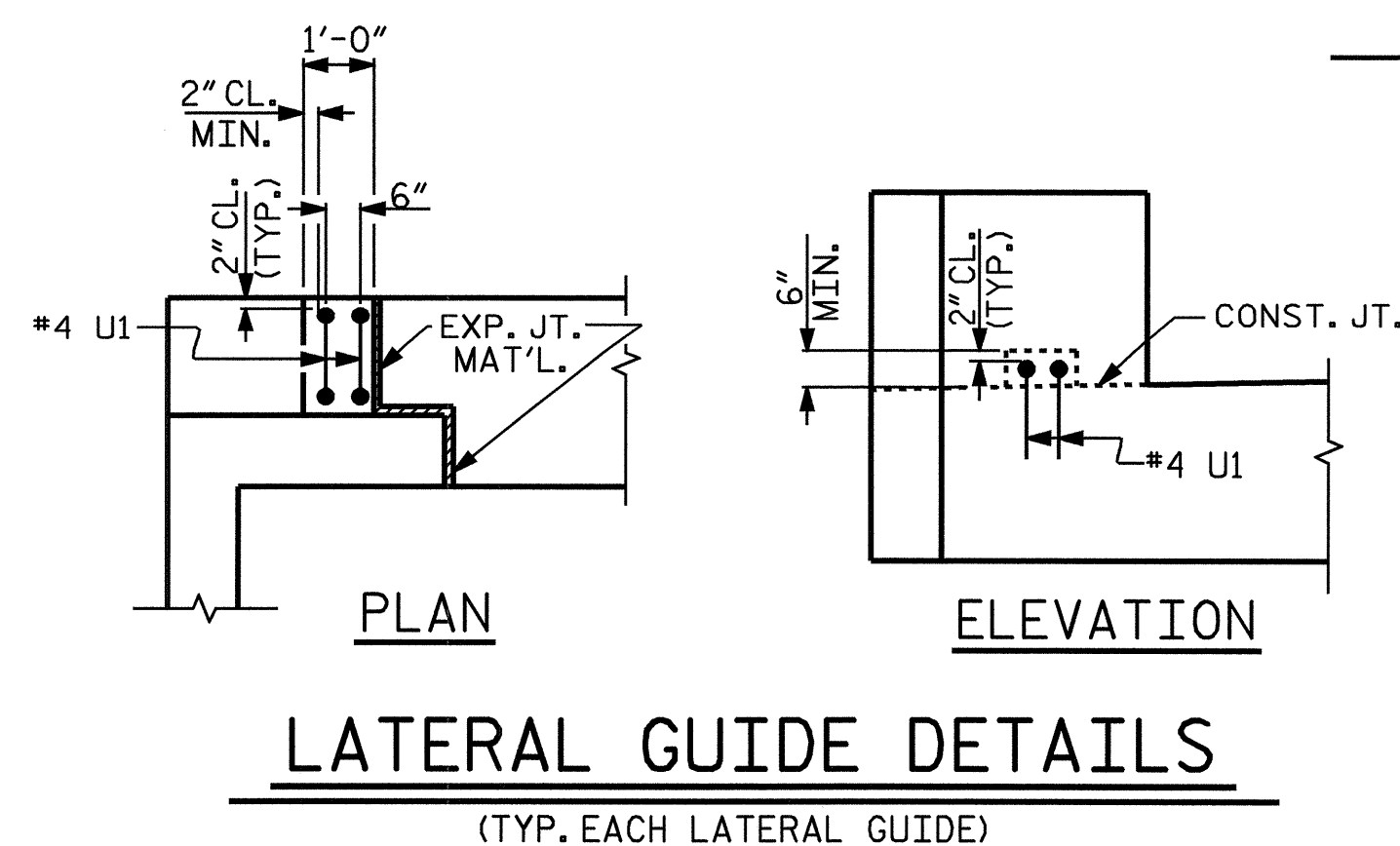


PLAN



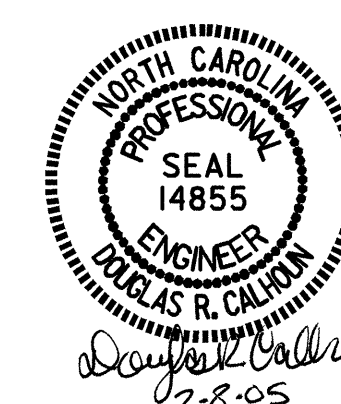
ELEVATION



LATERAL GUIDE DETAILS
(TYP. EACH LATERAL GUIDE)

NOTES

- STIRRUPS MAY BE SHIFTED AS NECESSARY TO CLEAR DOWELS.
- THE LATERAL GUIDE AT EACH END OF THE CAP IS NOT TO BE POURED UNTIL AFTER CORED SLAB UNITS ARE IN PLACE.
- FOR REINFORCING STEEL IN WINGS, SEE SHEET 2 OF 3.



PROJECT NO. B-3450
 DURHAM COUNTY
 STATION: 14+31.00 -L-

SHEET 1 OF 3

STATE OF NORTH CAROLINA
 DEPARTMENT OF TRANSPORTATION
 RALEIGH

SUBSTRUCTURE
 END BENT 2

DRAWN BY: A.L. MEADOWS DATE: 7/3/03
 CHECKED BY: T.A. HARRIS DATE: 9/27/02

08-FEB-2005 08:31
 W:\equado\B3450\Taharris\Microstation\STR.1\B3450.ed.E*.01.dgn
 TAHarris

REVISIONS						SHEET NO.
NO.	BY:	DATE:	NO.	BY:	DATE:	S-20
1			3			TOTAL SHEETS
2			4			53