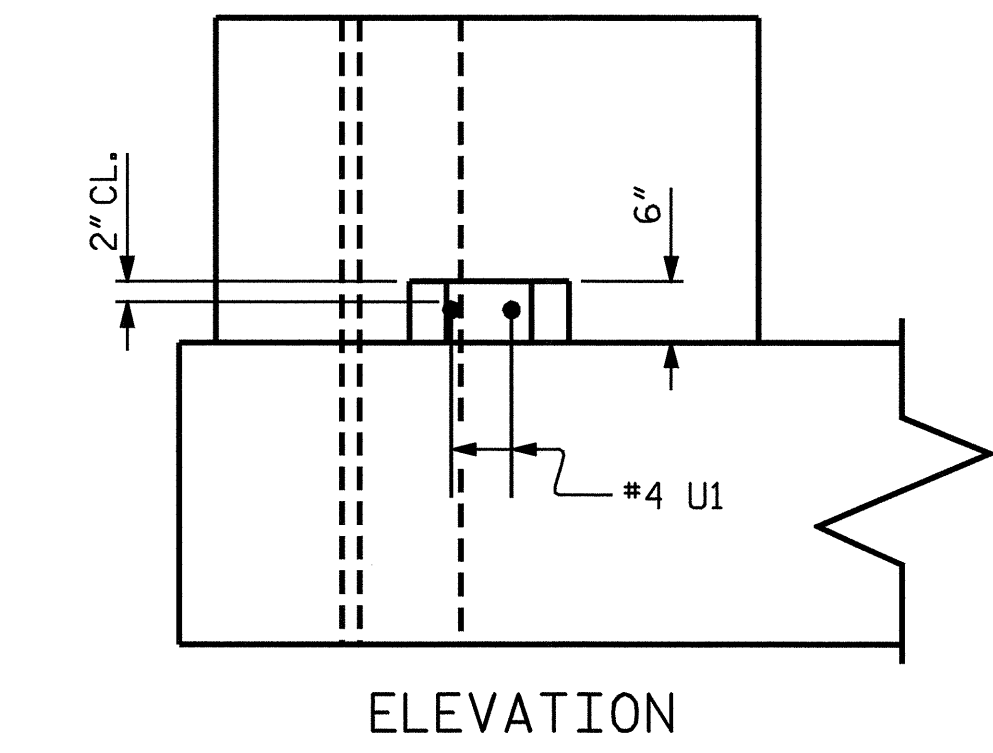


BAGGED STONE AND PIPE SHALL BE PLACED IMMEDIATELY AFTER COMPLETION OF END BENT EXCAVATION. PIPE MAY BE EITHER CONCRETE, CORRUGATED STEEL, CORRUGATED ALUMINUM ALLOY, OR CORRUGATED PLASTIC. PERFORATED PIPE WILL NOT BE ALLOWED.

BAGGED STONE SHALL REMAIN IN PLACE UNTIL THE ENGINEER DIRECTS THAT IT BE REMOVED. THE CONTRACTOR SHALL REMOVE AND DISPOSE OF SILT ACCUMULATIONS AT BAGGED STONE WHEN SO DIRECTED BY THE ENGINEER. BAGS SHALL BE REMOVED AND REPLACED WHENEVER THE ENGINEER DETERMINES THAT THEY HAVE DETERIORATED AND LOST THEIR EFFECTIVENESS.

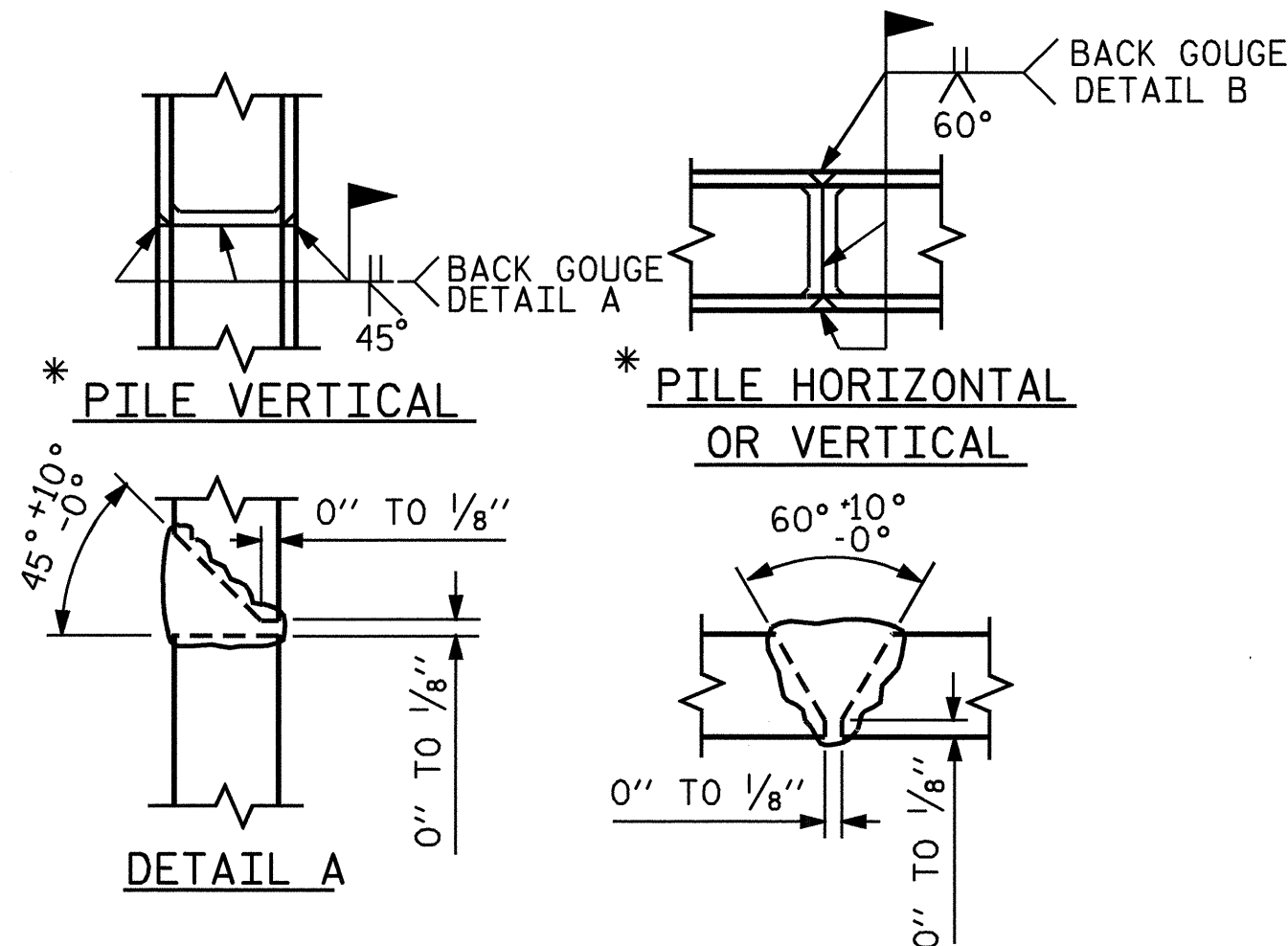
NO SEPARATE PAYMENT WILL BE MADE FOR THIS WORK AND THE ENTIRE COST OF THIS WORK SHALL BE INCLUDED IN THE UNIT CONTRACT PRICE FOR THE SEVERAL PAY ITEMS.

TEMPORARY DRAINAGE AT END BENT

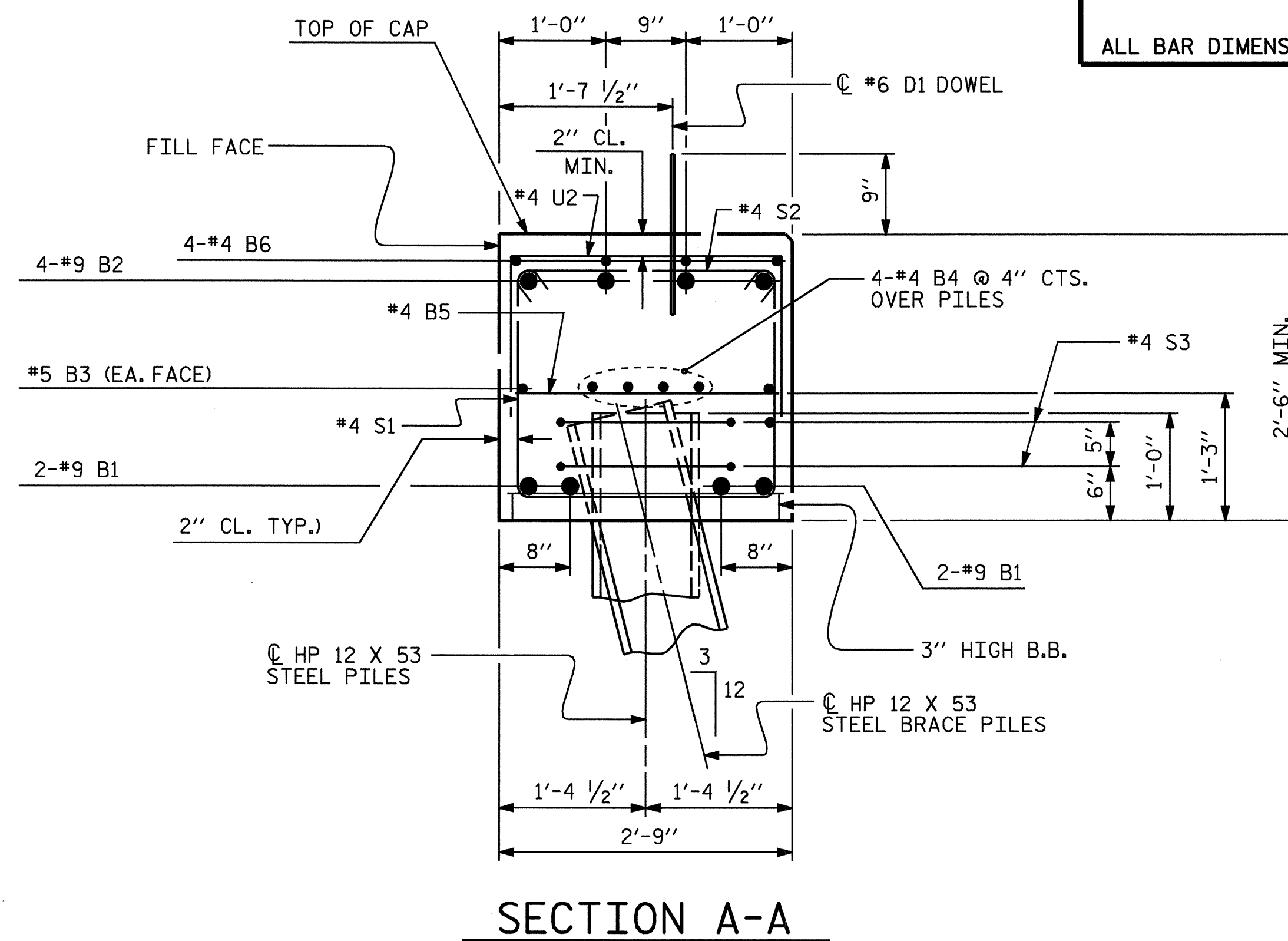


LATERAL GUIDE DETAILS

(TYP. EACH LATERAL GUIDE)

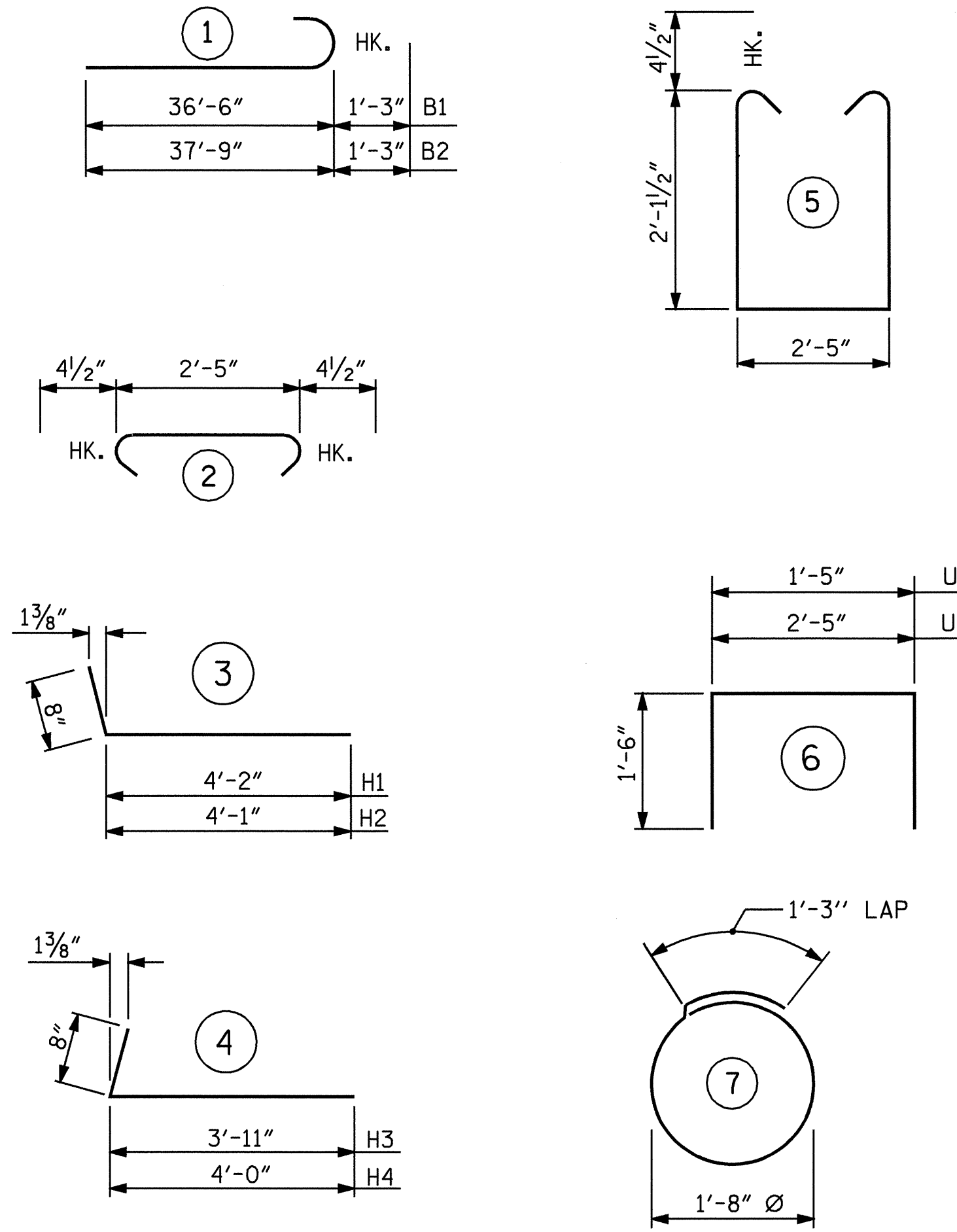


PILE SPLICE DETAILS



SECTION A-A

BAR TYPES



ALL BAR DIMENSIONS ARE OUT TO OUT.

BILL OF MATERIAL

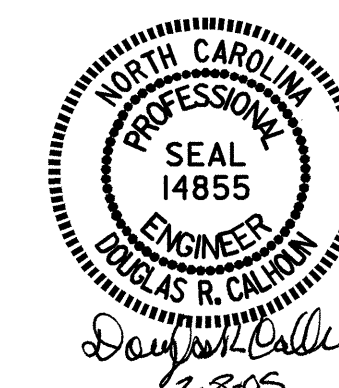
END BENT 2					
BAR	NO.	SIZE	TYPE	LENGTH	WEIGHT
B1	8	9	1	37-9	1027
B2	8	9	1	39-0	1061
B3	4	5	STR	34-10	145
B4	12	4	STR	23-11	192
B5	17	4	STR	2-5	27
B6	8	4	STR	22-9	122
D1	40	6	STR	1-6	90
H1	7	4	3	4-10	23
H2	7	4	3	4-9	22
H3	7	4	4	4-7	21
H4	7	4	4	4-8	22
K1	16	4	STR	4-0	43
S1	58	4	5	7-5	287
S2	58	4	2	3-2	123
S3	18	4	7	6-6	78
U1	4	4	6	4-5	12
U2	29	4	6	5-5	105
V1	40	4	STR	5-3	140
REINFORCING STEEL					3540 LBS.
CLASS A CONCRETE					
POUR 1 CAP & LOWER PART OF WINGS				CU. YDS.	20.5
POUR 2 UPPER PART OF WINGS				CU. YDS.	2.0
POUR 3 LATERAL GUIDE				CU. YDS.	0.1
TOTAL				CU. YDS.	22.6
HP 12 x 53 STEEL PILES				NO. 9	LIN. FT. 270

PROJECT NO. B-3450
 DURHAM COUNTY
 STATION: 22+37.00 -L-

SHEET 3 OF 3

STATE OF NORTH CAROLINA
 DEPARTMENT OF TRANSPORTATION
 RALEIGH

SUBSTRUCTURE END BENT 2



REVISIONS						SHEET NO.
NO.	BY:	DATE:	NO.	BY:	DATE:	S-50
1			3			TOTAL SHEETS
2			4			53

DRAWN BY: A.L. MEADOWS DATE: 7/29/02
 CHECKED BY: I.A. HARRIS DATE: 9/23/02