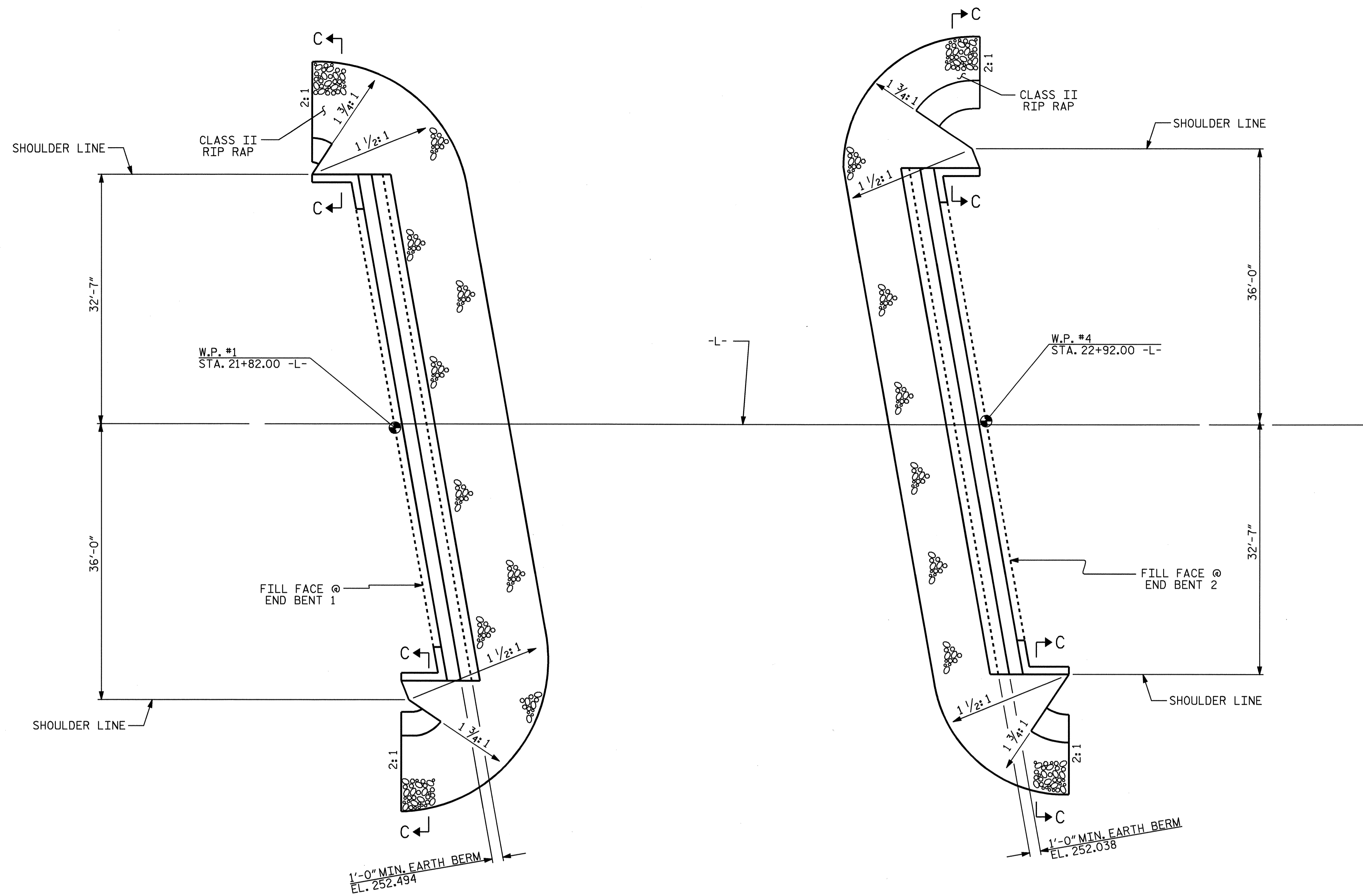


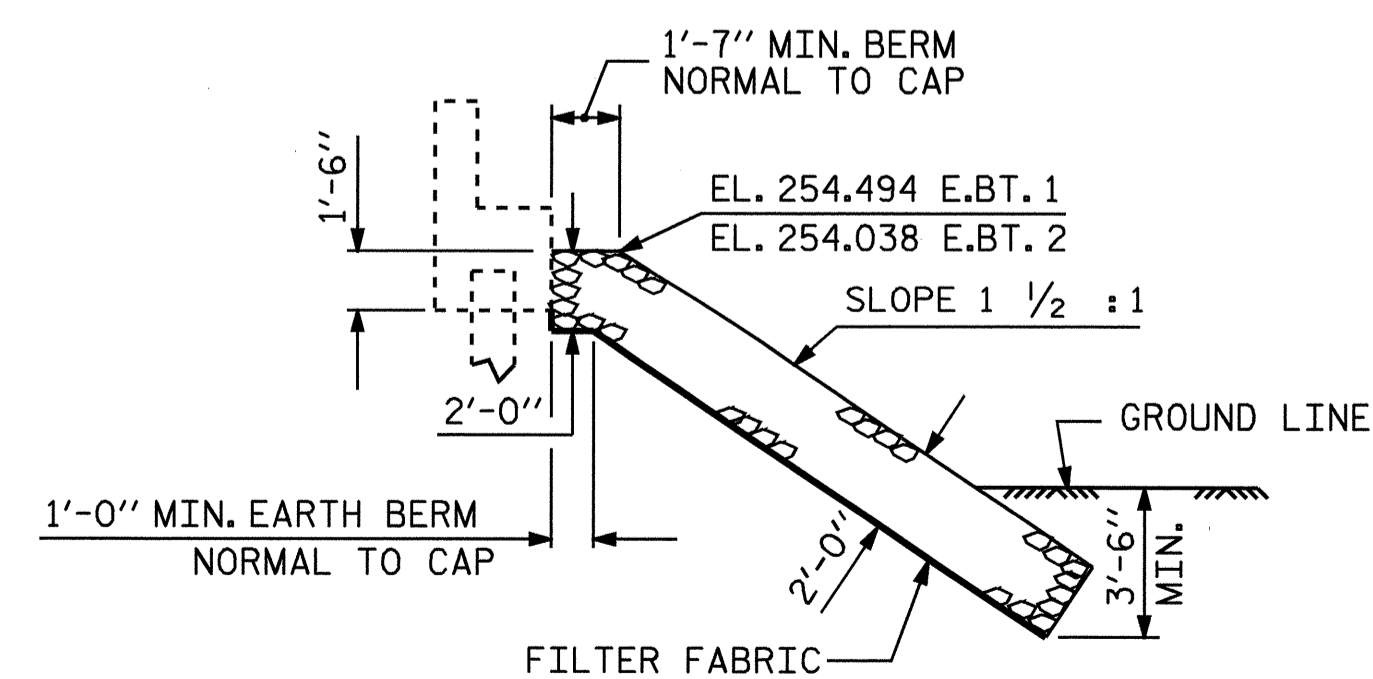
NOTES :
FOR BERM WIDTH DIMENSIONS, SEE GENERAL DRAWING.



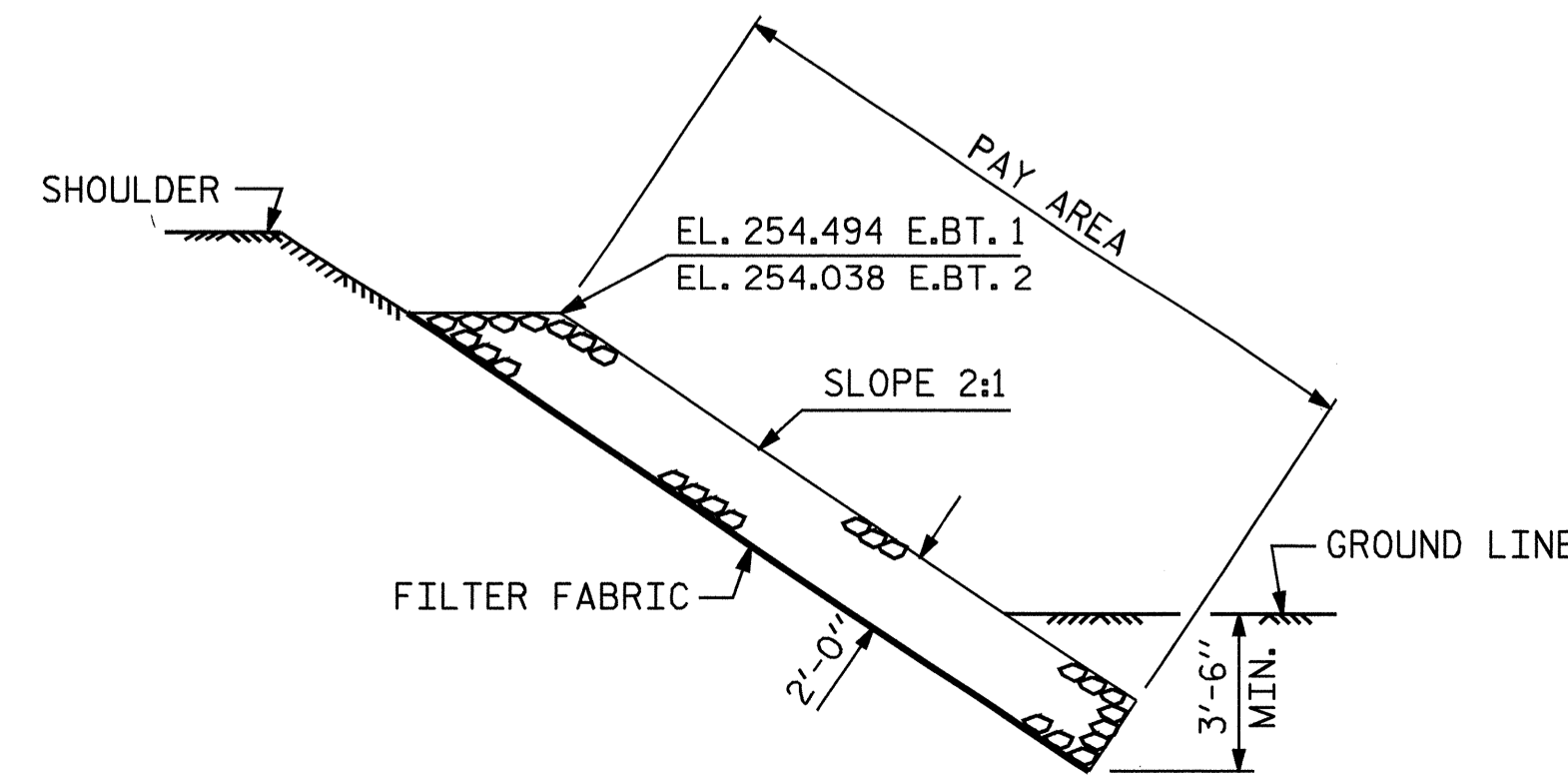
END BENT 1

END BENT 2

ESTIMATED QUANTITIES		
BRIDGE @ STA. 22+37.00 -L-	PLAIN RIP RAP CLASS II	FILTER FABRIC FOR DRAINAGE
	TONS	SQUARE YARDS
END BENT 1	122	136
END BENT 2	90	100



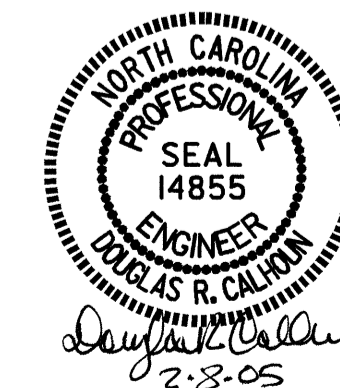
SECTION
BERM RIP RAPPED



SECTION C-C

PROJECT NO. B-3450
DURHAM COUNTY
STATION: 22+37.00 -L-

STATE OF NORTH CAROLINA DEPARTMENT OF TRANSPORTATION RALEIGH						SHEET NO.
STANDARD						S-51
RIP RAP DETAILS						TOTAL SHEETS
REVISIONS						53
NO.	BY:	DATE:	NO.	BY:	DATE:	
1			3			
2			4			



ASSEMBLED BY : A.L.MEADOWS	DATE : 8/16/02
CHECKED BY : T.A.HARRIS	DATE : 2/6/04
DRAWN BY : REK 1/84	REV. 7/17/98 REK/RWW
CHECKED BY : RDU 1/84	REV. 8/16/99 RWW/LES
	REV. 10/17/00 RWW/LES

08-FEB-2005 08:44
W:\squad\b3450\taharris\Microstation\STR. 2\B3450.sd.RR.02.dgn
TAHarris

STR. 2

SKREW < 90°

STD. NO. RR1