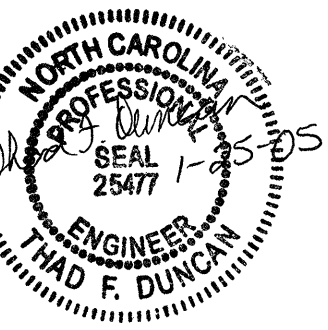
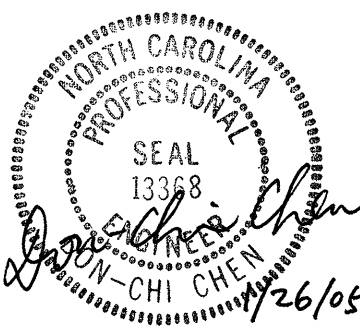
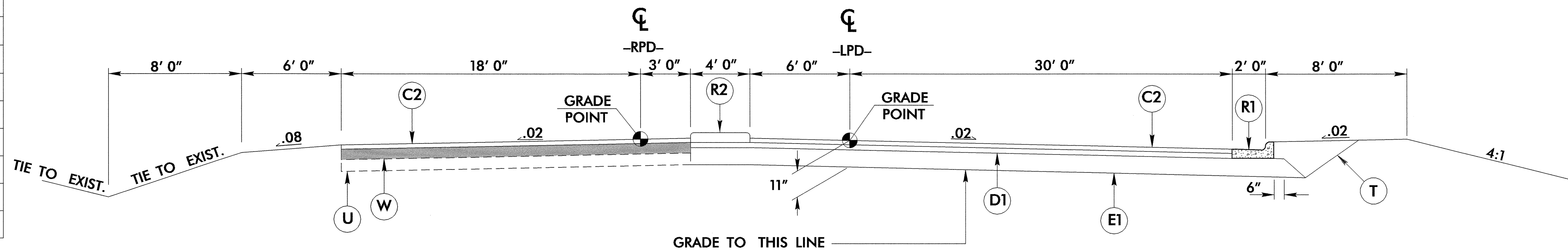


6/2/99

PAVEMENT SCHEDULE
(FINAL PAVEMENT DESIGN)

C1	1 1/2" S9.5B.
C2	3" S9.5B.
C3	VAR. DEPTH S9.5B.
D1	4" I19.0B.
D2	VAR. DEPTH I19.0B.
E1	4" B25.0B.
E2	VAR. DEPTH B25.0B.
R1	2' - 6" CONCRETE CURB & GUTTER.
R2	5" MONOLITHIC CONCRETE ISLAND.
S1	4" CONCRETE SIDEWALK.
T	EARTH MATERIAL.
U	EXISTING PAVEMENT.
V	MILLING 1 1/2".
W	VAR. DEPTH ASPHALT PAVEMENT.

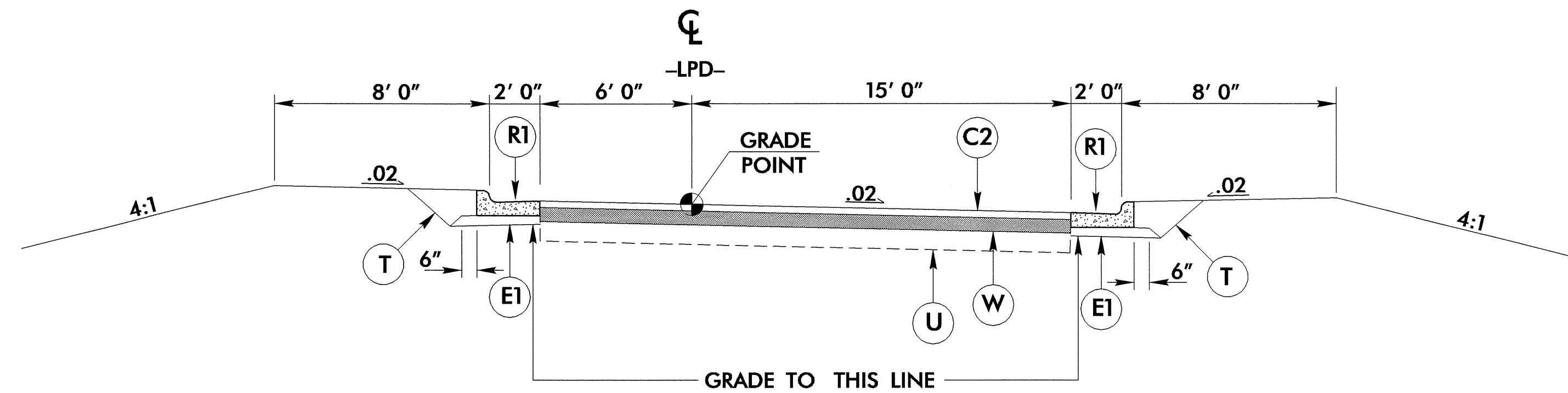
PROJECT REFERENCE NO. U-3302	SHEET NO. 2-A
ROADWAY DESIGN ENGINEER 	PAVEMENT DESIGN ENGINEER 



TYPICAL SECTION NO. 3

TYPICAL SECTION NO. 3

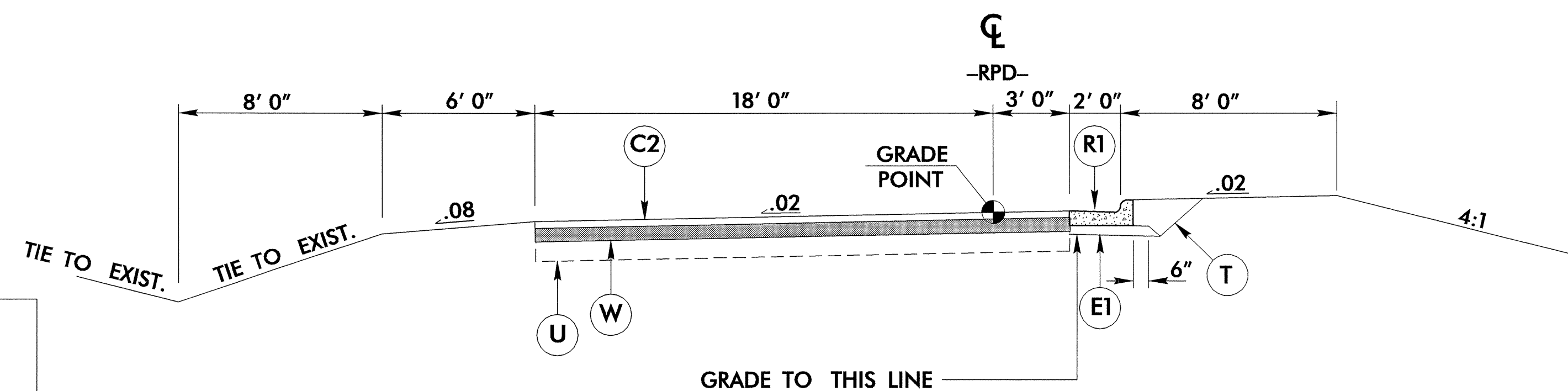
-RPD- STA 10+08+57 TO 10+66.05



TYPICAL SECTION NO. 4

TYPICAL SECTION NO. 4

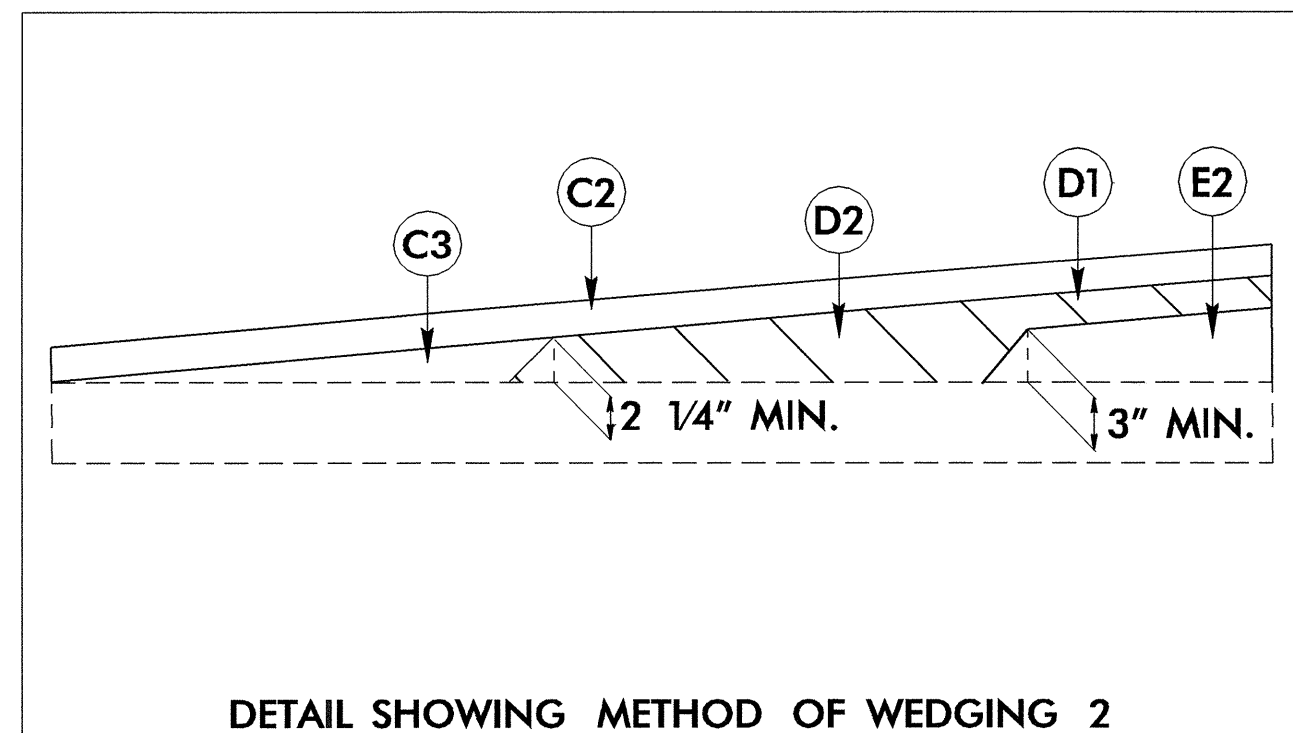
-LPD- STA 5+00.00 TO 7+72.65



TYPICAL SECTION NO. 5

TYPICAL SECTION NO. 5

-RPD- STA 5+00.00 TO 8+23.27



DETAIL SHOWING METHOD OF WEDGING 2
USE WITH TYPICAL SECTION NO. 3, 4 & 5

10-JAN-2005 07:27
BY: JLD/302/TFD
TFDuncan AT RD212397