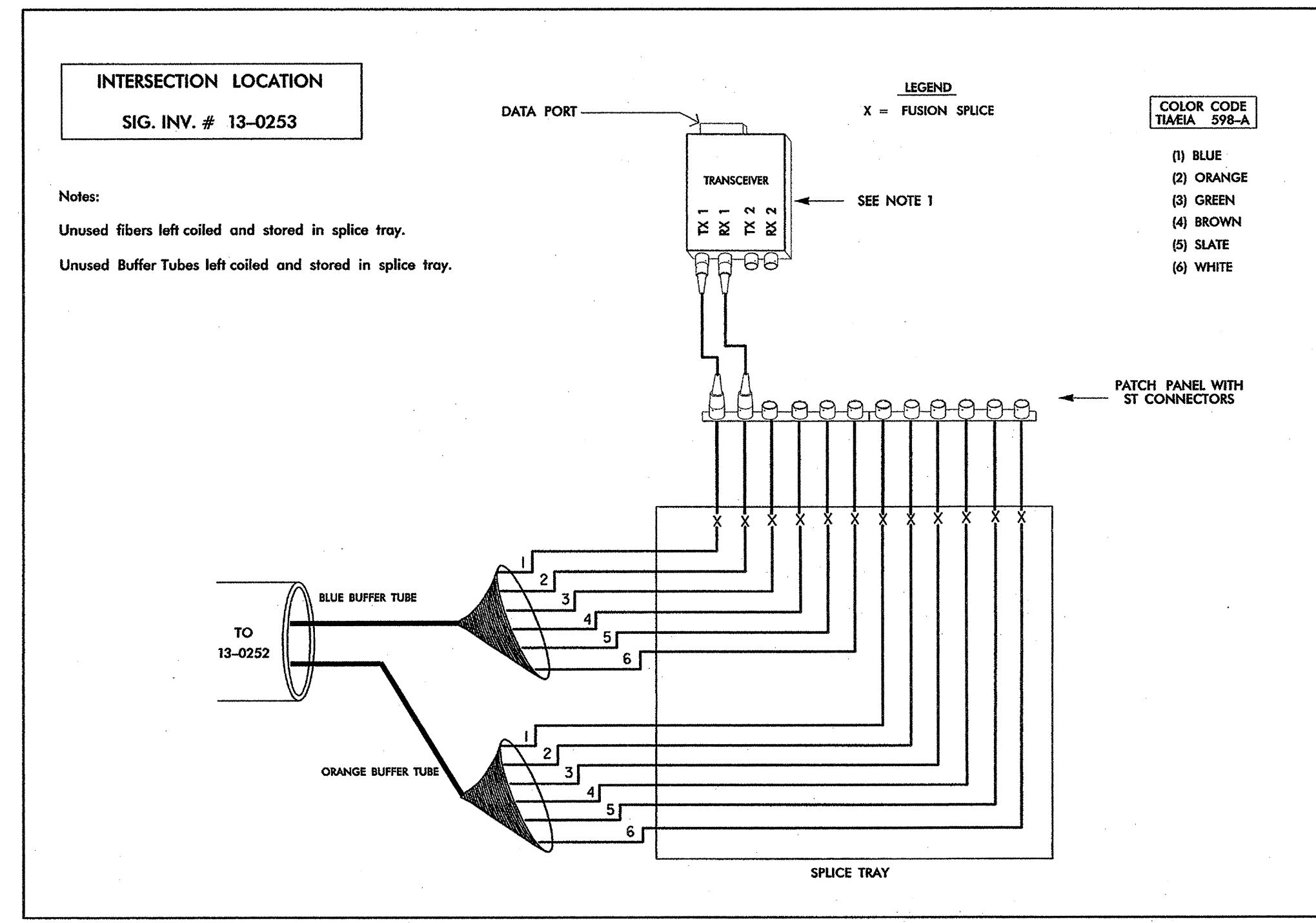
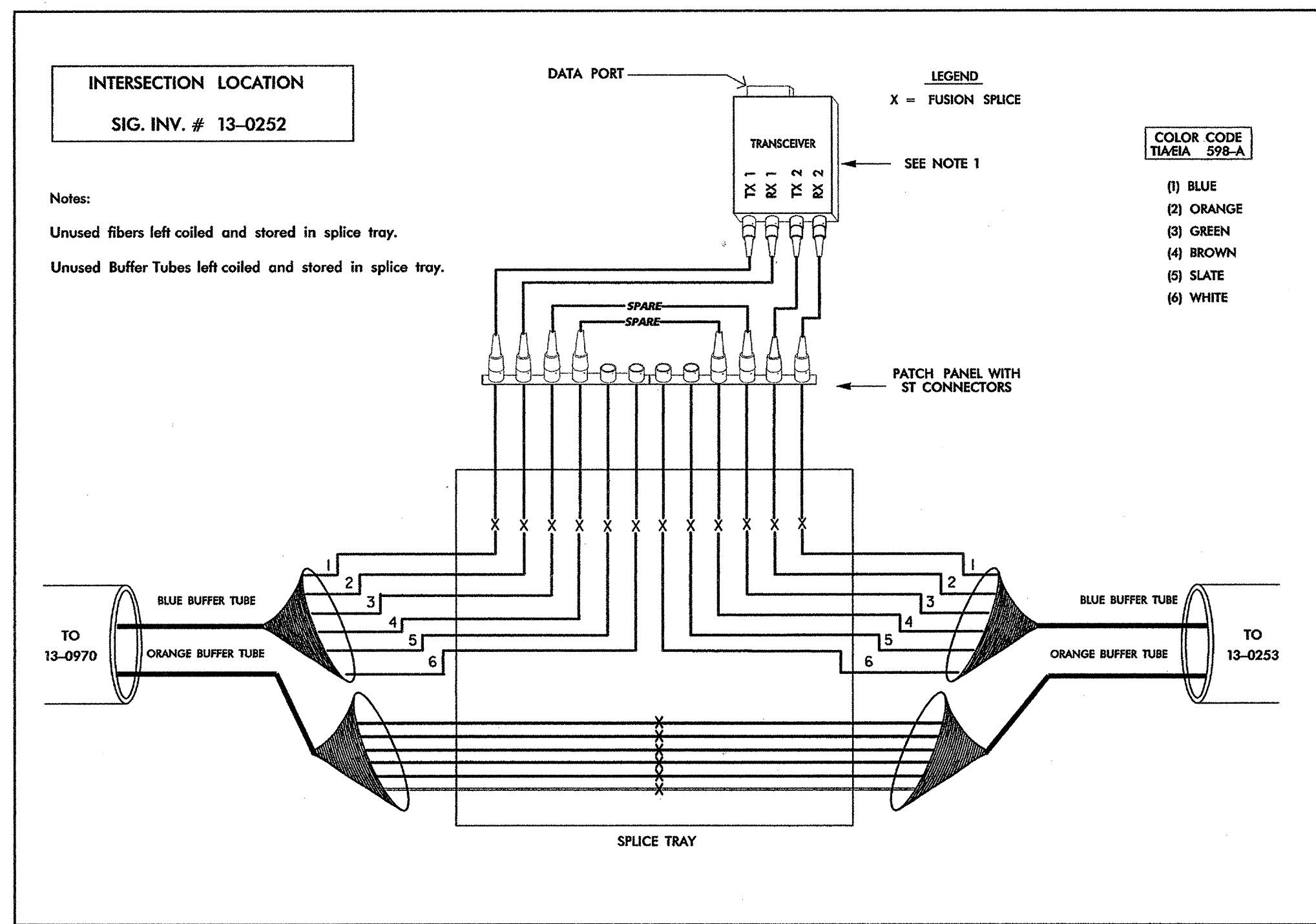
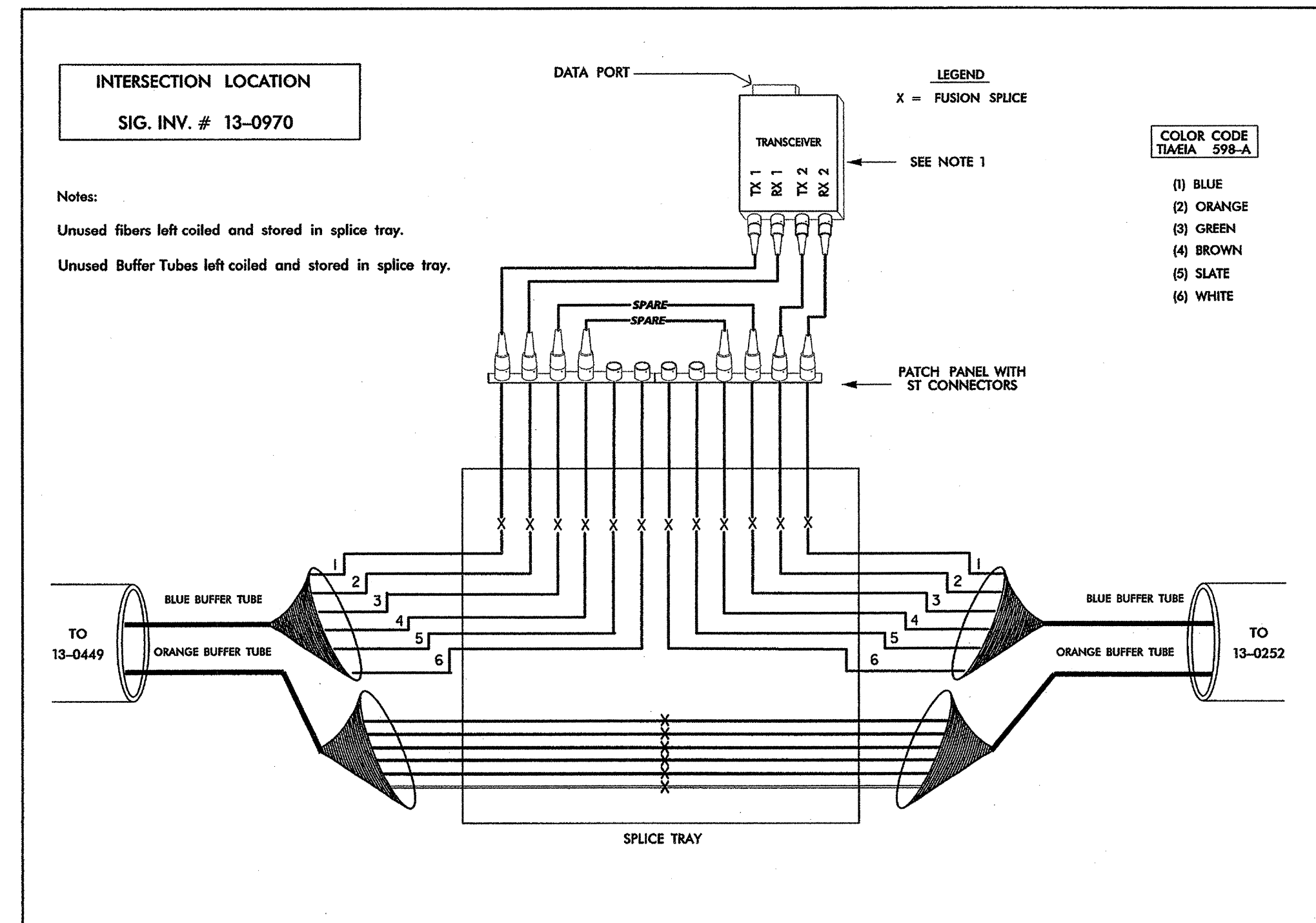
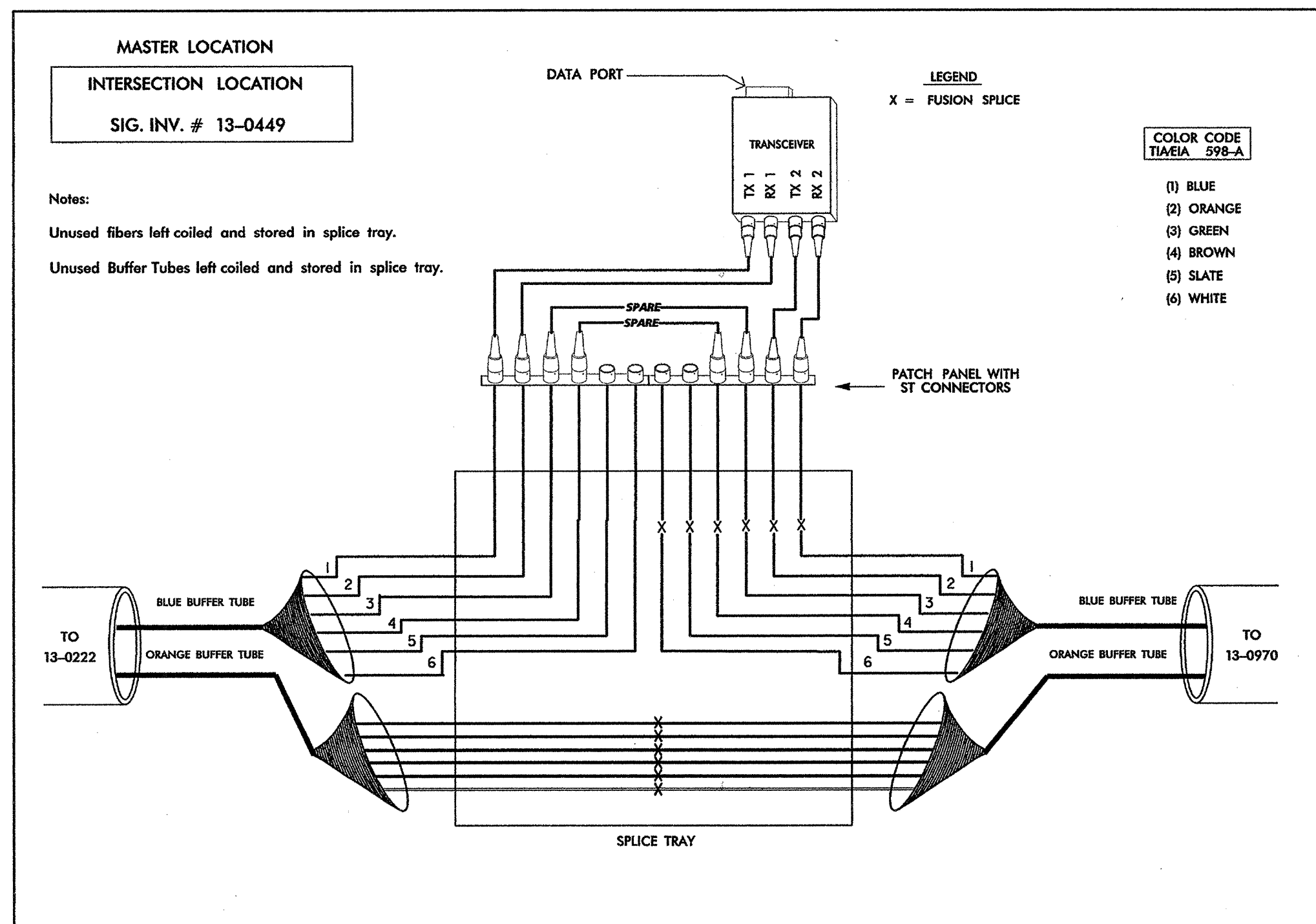
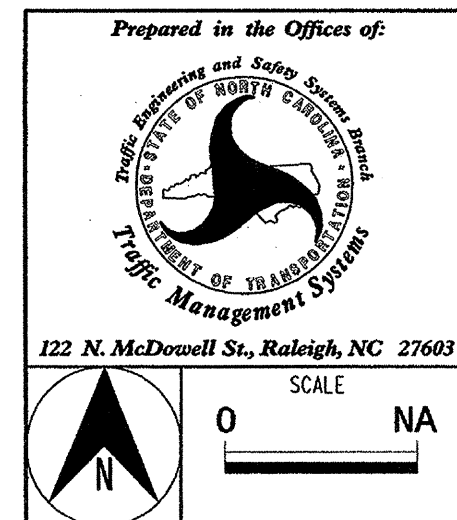
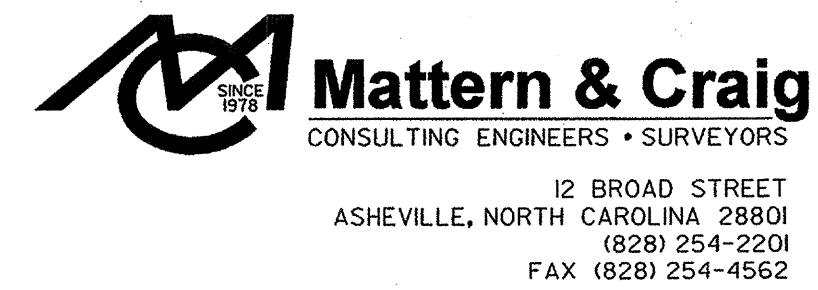


FIBER OPTIC CABLE



NOTES:

1. CONTRACTOR TO PROVIDE TRANSCEIVER THAT IS IDENTICAL TO THE TRANSCEIVER USED ON THE EXISTING SYSTEM OR AN ENGINEER APPROVED EQUIVALENT.



SPLICE PLAN		
US 25 (Merrimon Avenue)		
Division 13	Buncombe County	Asheville
PLAN DATE: April 2004	REVIEWED BY: Vosso	
PREPARED BY: Richardson	REVIEWED BY:	
REVISIONS	INIT.	DATE

SEAL
 NORTH CAROLINA
 PROFESSIONAL ENGINEER
 JAMES B. VOSSE
 SEAL 022599
 SIGNATURE: James Vosso
 DATE: 6/16/04
 FILE: 20800 SPLICE