

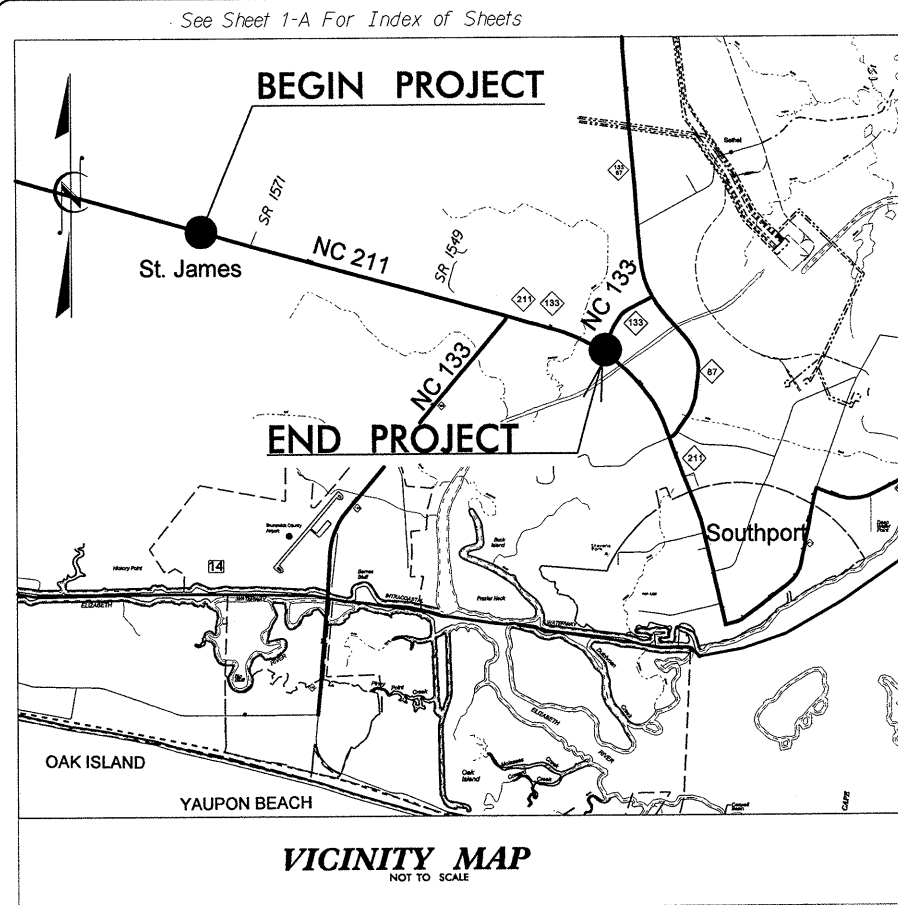
STATE	WBS ELEMENT	SHEET NO.	TOTAL SHEETS
N.C.	38224	1	
MOVING AHEAD PROJ. NO.	WBS NO.	DESCRIPTION	
	38224	WIDENING & RESURFACING	

STATE OF NORTH CAROLINA
DIVISION OF HIGHWAYS

BRUNSWICK COUNTY NCMA PROJECT

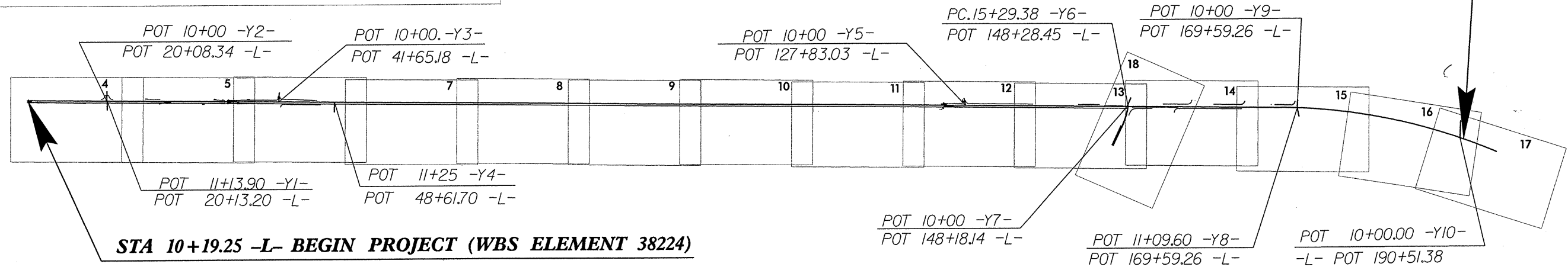
LOCATION: NC 211 IN BRUNSWICK COUNTY, FROM ST. JAMES ENTRANCE TO NC 133 NORTH

TYPE OF WORK: WIDENING, GRADING, RESURFACING, DRAINAGE, CURB & GUTTER, THERMOPLASTIC PAVEMENT MARKINGS, AND SNOWPLOWABLE PAVEMENT MARKERS

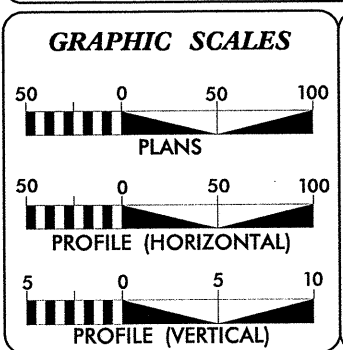


WBS ELEMENT: 38224

STA 191+00.00 -L- END PROJECT (WBS ELEMENT 38224)



CONTRACT:



DESIGN DATA
ADT 2005 = 17000
** V = 60 MPH
D = 60 %
* T = 3 %
* (TTST 1% + DUAL 2%)
FUNC CLASS = MAJOR COLLECTOR

PROJECT LENGTH
LENGTH OF STATE PROJECT
WBS ELEMENT 38224 = 3.42 MILES

Prepared in the Office of:
W.K. DICKSON
ENGINEERS PLANNERS SURVEYORS
3101 JOHN HUMPHRIES WYND RALEIGH, NC 27612
PHONE: (919) 782-0495 FAX: (919) 782-9672
ATLANTA, GA CHARLOTTE, NC COLUMBIA, SC HICKORY, NC WILMINGTON, NC

2002 STANDARD SPECIFICATIONS

LETTING DATE: APRIL 19, 2005

Tommy Register, PE
PROJECT ENGINEER

Tommy Register, PE
PROJECT DESIGN ENGINEER

HYDRAULICS ENGINEER

SIGNATURE: _____ P.E.

ROADWAY DESIGN ENGINEER

SIGNATURE: _____ P.E.

DIVISION OF HIGHWAYS
STATE OF NORTH CAROLINA

STATE DESIGN ENGINEER

\$\$\$\$\$SYTIME\$\$\$\$\$
\$\$\$\$\$DGN\$\$\$\$\$
\$\$\$\$\$USERNAME\$\$\$\$\$