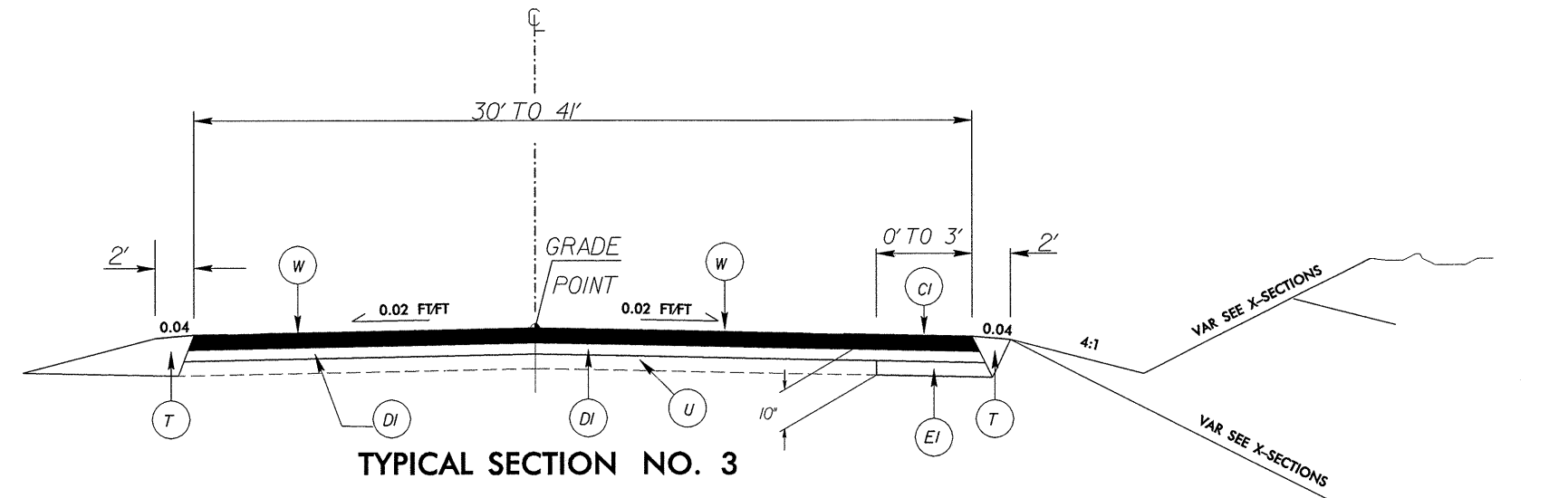


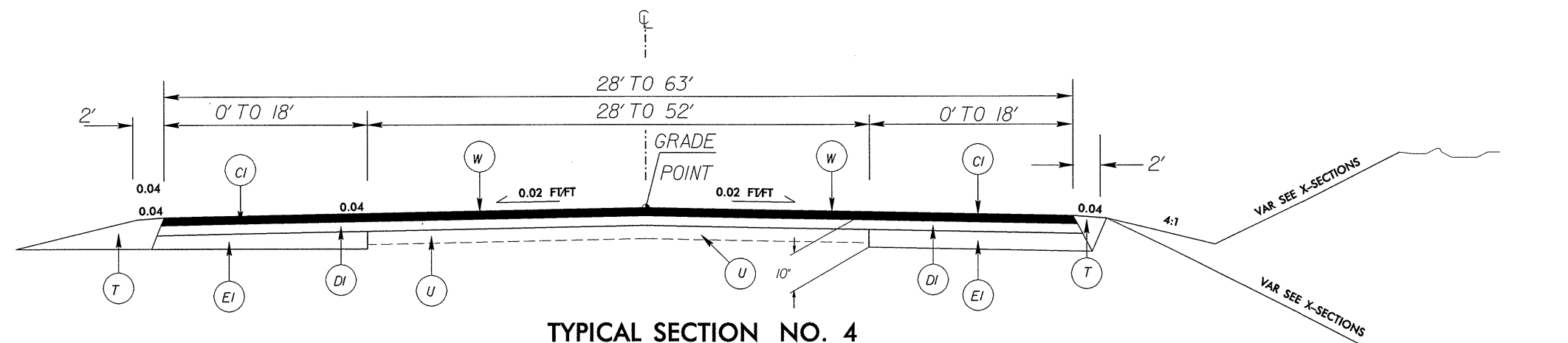
6/22/14

PROJECT REFERENCE NO.		SHEET NO.	
WBS No. 38224		2 B	
ROADWAY DESIGN ENGINEER		PAVEMENT DESIGN ENGINEER	
PAVEMENT SCHEDULE			
C1	1 1/2" S9.5B		
C2	VAR. DEPTH S9.5B		
D1	3" S119.0B		
D2	VAR. DEPTH S119.0B		
E1	5-1/2" B25.0B		
E2	VAR. DEPTH B25.0B		
R	5' CONCRETE MONOLITHIC ISLAND		
RI	2' 6" CURB & GUTTER		
T	EARTH MATERIAL		
U	EXISTING PAVEMENT		
W	WEDGING		



TYPICAL SECTION NO. 3

USE TYPICAL SECTION NO. 3 AT THE FOLLOWING LOCATIONS:
 STA. 21+11.98 TO STA. 28+14



TYPICAL SECTION NO. 4

USE TYPICAL SECTION NO. 4 AT THE FOLLOWING LOCATIONS:
 STA. 28+14 TO STA. 46+88.45
 STA. 124+75 TO STA. 136+29.57
 STA. 154+59.73 TO STA. 162+47.69

6/22/14